

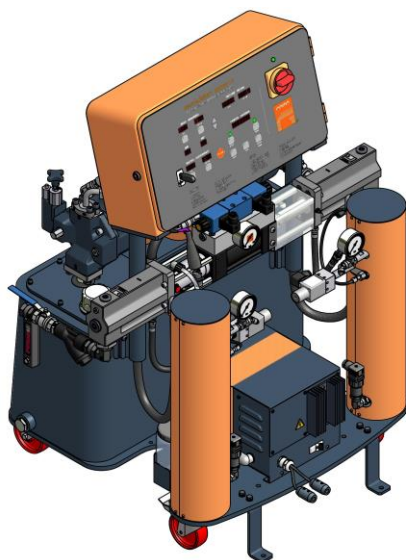


Parts Manual

Proportioning Unit

evolution G-50 H

Issue 4.1 20/01/22
Ref. NR-00041-ENG



Before installing the unit and starting it up, carefully read all the technical and safety documentation included in this manual. Pay special attention to the information to know and understand the handling and the conditions of use of the unit. All of the information is aimed at enhancing User Safety and avoiding possible breakdowns derived from the incorrect use of the unit.



WARRANTY

HI-TECH SPRAY EQUIPMENT, S. A. (hereinafter "HI-TECH") grants this Limited Guarantee to the original buyer (hereinafter the "Client") for the unit and the original accessories given with the unit (hereinafter the "Product") against any fault in the design, materials or manufacture of the Product at the time of the first purchase by the user and for a duration of two (2) years thereafter.

If during the guarantee period and under normal conditions of use, the Product should fail to work correctly due to defects of design, material or manufacture, the authorised distributor of the country where the HI-TECH Product or technical assistance service has been purchased shall repair or replace the Product in accordance with what is established in the following:

CONDITIONS

- a) The validity of this guarantee will be subject to the presentation of the original invoice issued by the HI-TECH authorised distributor for the sale of the Product along with the Product handed over for repair or replacement, which must show the date of purchase and the serial number. HI-TECH reserves the right to refuse to give the guarantee service when the indicated data fail to appear on the invoice or have been modified after the purchase of the Product.
- b) The repaired or replaced Product will continue to maintain the original guarantee for the time remaining until the end of the guarantee or for three (3) months from the repair date, if the remaining period of the original guarantee were shorter.
- c) This guarantee will not be applied to the faults in the Product caused by its faulty installation, the natural wear and tear of the components, any use other than that considered normal for this Product or which should fail to strictly comply with the instructions of use provided by HI-TECH; due to accident, carelessness, adjustments, alterations or modifications of the Product not authorised by HI-TECH or due to the use of accessories, heating devices, pumping equipment and/or dispensers that have not been approved or manufactured by HI-TECH.
- d) The guarantee applicable to the components and accessories forming part of the Product and which have not been made by HI-TECH will be limited to the guarantee offered by the original manufacturer thereof.

HI-TECH WILL NOT RECOGNISE ANY EXPRESS ORAL OR WRITTEN GUARANTEES OTHER THAN THIS PRINTED LIMITED GUARANTEE. ALL IMPLICIT GUARANTEES, INCLUDING, WITHOUT LIMIT, ADAPTATION FOR A SPECIFIC USE, ARE SUBJECT TO THE DURATION OF THIS WRITTEN GUARANTEE. HI-TECH DOES NOT ASSUME ANY KIND OF COMMITMENT OR RESPONSIBILITY FOR ALL POSSIBLE DAMAGE OR EXPENSE CAUSED BY FAULTS IN THE OUTPUT OF THE PRODUCT, ITS WORKING OR THE DISPENSING OF MATERIAL THROUGH THE PRODUCT, INCLUDING, WITHOUT LIMITATION, ALL EXPENSES CAUSED BY DAMAGE TO PEOPLE OR PROPERTY. EQUALLY, HI-TECH WILL IN NO CASE ACCEPT LIABILITY FOR THE LOSS OF SPECULATIVE PROFITS OR COMMERCIAL LOSSES. ALL REPAIRS OR REPLACEMENT OF FAULTY PRODUCTS WILL CONSTITUTE THE COMPREHENSIVE FULFILMENT OF HI-TECH'S OBLIGATIONS WITH RESPECT TO THE CLIENT. HI-TECH DOES NOT IN ANY WAY GUARANTEE THE SUITABILITY OR APTITUDE OF ITS PRODUCT FOR ANY PARTICULAR PURPOSE OR APPLICATION.

All information provided on components which have not been manufactured by HI-TECH and which is based on reports received from the original manufacturer, though considered precise and reliable, is provided without any guarantee or responsibility of any explicit or implicit kind.

All concession, sale or financial leasing of the Product by HI-TECH in no case explicitly or implicitly constitutes any authorisation, acceptance or concession for the use of any rights or patents, nor does it encourage, nurture or back their infringement.

The restrictions on the guarantee suppose no limitation on the legal rights of the consumer established in applicable national legislation, nor do they affect any rights derived from the bargain and sale agreement between the consumer and supplier.



Parts Manual

All information provided in this manual has been included in the confidence that it is true, although it does not constitute any responsibility or implicit or explicit guarantee. HI-TECH reserves the right at any time and without prior warning to make all improvements and modifications necessary to this manual, in order to rectify any possible typographical errors, increase the information contained or insert the changes caused to the characteristics and performance of the unit.

SAFETY AND HANDLING

The equipment described in this manual has been designed and manufactured in compliance with the following European Directives, following as application guide the harmonized standards detailed and in conformity with the relevant UK Statutory Instruments (and their amendments):



Directive 2006/42/EC on machinery (UK Supply of Machinery (Safety) Regulations 2008)

UNE EN 12100:2012 (BS EN ISO 12100:2010)

Directive 2014/30/EU on electromagnetic compatibility (UK Electromagnetic Compatibility Regulations 2016) (*)

UNE EN 55011 (BS UNE EN 55011)

UNE EN 55016-2-1 (BS UNE EN 55016-2-1); UNE EN 55016-2-3 (BS UNE EN 55016-2-3);
UNE EN 55032 (BS UNE EN 55032)

UNE EN 61000-3-2 (BS UNE EN 61000-3-2); UNE EN 61000-3-3 (BS UNE EN 61000-3-3);
UNE EN 61000-4-2 (BS UNE EN 61000-4-2); UNE EN 61000-4-3 (BS UNE EN 61000-4-3);
UNE EN 61000-4-4 (BS UNE EN 61000-4-4); UNE EN 61000-4-5 (BS UNE EN 61000-4-5);
UNE EN 6100-4-6 (BS UNE EN 6100-4-6); UNE EN 61000-4-8 (BS UNE EN 61000-4-8); UNE
EN 61000-4-11 (BS UNE EN 61000-4-11)

() The Unit may experience a degradation of its immunity in the presence of radiated electromagnetic disturbances (IEC 61000-4-3) in the frequency range between 80MHz and 700MHz under an electric field level of 10 V / m, resulting in a temporary loss of function, self-recoverable, according to performance criterion C of the Standard.*

Directive 2014/68/EU on pressure equipment (UK Pressure Equipment (Safety) Regulations 2016)

UNE EN 809:1999 +A1 (BS EN 809:1998 +A1:2009)

Directive 2014/35/EU on electrical safety (UK Electrical Equipment (Safety) Regulations 2016)

UNE EN 60204-1:2019 (BS EN 60204-1:2018)

Directive 2003/10/EC on noise level (UK The Control of Noise at Work Regulations 2005)

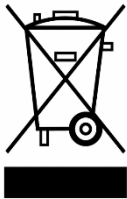
UNE EN ISO 3740 (BS EN ISO 3740:2019)

UNE EN ISO 3746 (BS EN ISO 3746:2010)



Directive 2011/65/EU on the restriction of the use of certain hazardous substances in electrical and electronic equipment with amendment 2015/863/EU (UK The Restriction of the Use of Certain Hazardous Substances in Electrical and Electronic Equipment Regulations 2012)

Directive 2012/19/EU on waste electrical and electronic equipment (UK The Waste Electrical and Electronic Equipment Regulations 2013)



Electrical products cannot be thrown out with the rubbish. They must be taken to a dedicated collection point for an environmentally sound disposal in accordance with local regulations. You must contact your local collective or retailer for information about recycling. Before leaving WEEE at appropriate collection facilities, batteries must be removed and disposed of separately for proper recycling. The packaging materials are recyclable. Dispose of packaging materials in an environmentally sound manner and place them at the disposal of recycling sectors.

TRANSPORT AND STORAGE

Proper precautions must be taken so that the equipment can withstand the effects of transport and storage temperatures between -25°C and $+55^{\circ}\text{C}$ or up to $+70^{\circ}\text{C}$ for short periods that do not exceed 24 hours. Also, appropriate means to prevent damage from moisture, vibrations or shocks must be foreseen.

PROPORTIONING UNIT evolution G-50 H MODEL

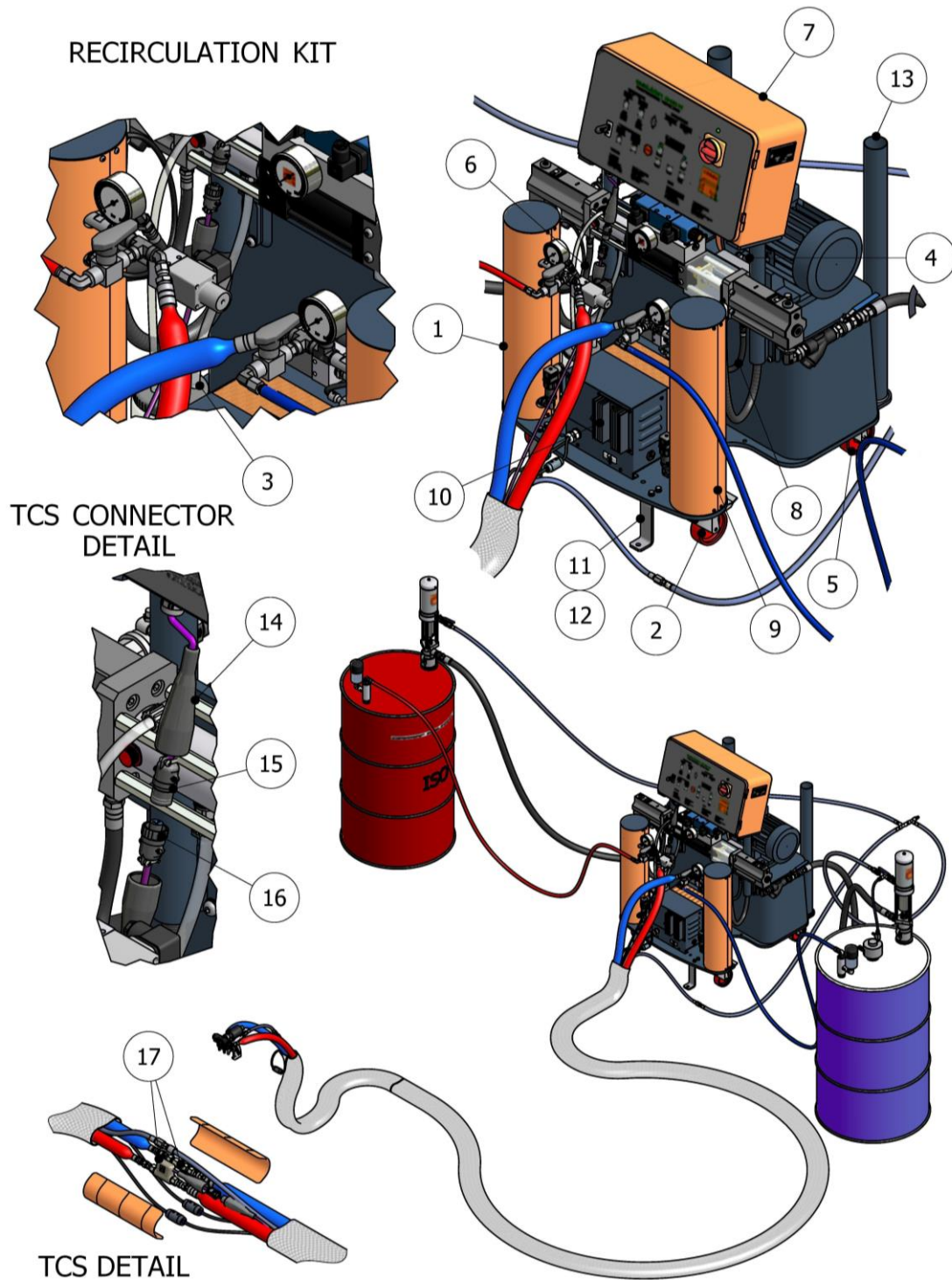


Figure 1. Proportioning Unit Evolution G-50 H Model

**Table 1. Proportioning Unit Evolution G-50 H Model, Parts List**

| Ref. | Description | Part Number | Qty. |
|------|---|-------------|------|
| 1 | A Primary Heater | See Table 2 | 1 |
| 2 | Front Wheel With Brake | MQ-01002 | 2 |
| 3 | Lube Reservoir Bracket | MQ-01008 | 1 |
| 4 | Electrical Console Support and Pump Line | MQ-01004-06 | 1 |
| 5 | Back Wheel | MQ-01016 | 2 |
| 6 | A Pump/Heater Hose Assy. | MA-00120 | 1 |
| 7 | Electrical Console Assy. | See Table 4 | 1 |
| 8 | R Pump/Heater Hose Assy. | MA-00120 | 1 |
| 9 | R Primary Heater | See Table 3 | 1 |
| 10 | Hose Transformer | See Table 5 | 1 |
| 11 | "Z" Bracket without Transfer Pump Bracket | MQ-01017 | 2 |
| 12 | "Z" Bracket with Transfer Pump Bracket | MQ-02014 | 2 |
| 13 | Transfer Pump Bracket | MQ-01015-00 | 2 |
| 14 | Connector Sensor Cover | EL-00096-21 | 1 |
| 15 | Connector Sensor Male | EL-00096-19 | 1 |
| 16 | Connector Sensor Female | EL-00096-20 | 1 |
| 17 | Temperature Control Sensor | EL-00051-00 | 1 |

Table 2. A-Primary Heater Reference List

| Part Number | Description |
|---------------|--|
| CLH-01001-00G | A Primary Heater 250 bar - 9000 W @ 400V |
| CLH-01001-00T | A Primary Heater 250 bar - 9000 W @ 200V |



Table 3. R-Primary Heater Reference List

| Part Number | Description |
|---------------|--|
| CLH-01002-00G | R Primary Heater 250 bar - 9000 W 400V |
| CLH-01002-00T | R Primary Heater 250 bar - 9000 W 200V |

Table 4. Electrical Console Reference List

| Part Number | Description |
|--------------|--|
| EL-00191-00 | Electrical Console Assy. (3PE~400V 50/60 Hz) |
| EL-00191-SP4 | Electrical Console Assy. (3PE~200V 50 Hz) |

Table 5. Hose Transformer Reference List

| Part Number | Description |
|-------------|---|
| EL-00127-15 | Hose Transformer Assy (3PE~400V 50/60 Hz) |
| EL-00127-22 | Hose Transformer Assy (3PE~200V 50 Hz) |

ELECTRICAL CONSOLE

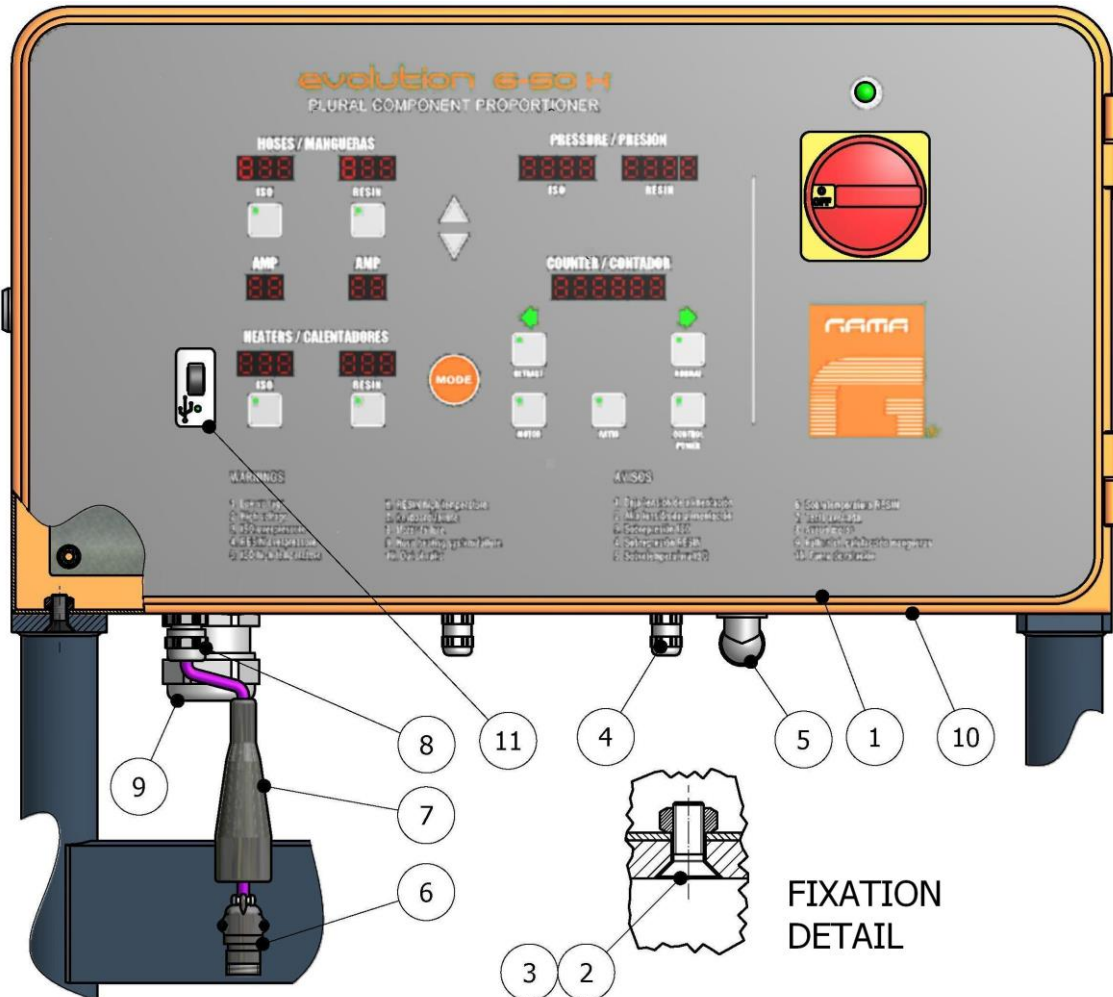


Figure 2. Electrical Console evolution G-50 H



Table 6. Electrical Console, Parts List

| Ref. | Description | Part Number | Qty. |
|------|---|-------------|------|
| 1 | Bezel & Electric Circuit Assembly | See Table 7 | 1 |
| 2 | Screw | TN-00233 | 4 |
| 3 | Conical Washer | TN-00296 | 4 |
| 4 | Directional Valve Connector | EL-00088-00 | 3 |
| 5 | Motor Conduit Connector | EL-00087-00 | 1 |
| 6 | Connector TCS Male | EL-00096-19 | 1 |
| 7 | Connector TCS Cover | EL-00096-21 | 1 |
| 8 | TCS Conduit Connector | EL-00088-05 | 1 |
| 9 | Cable Connector | EL-00088-04 | 1 |
| 10 | Electrical Console | EL-00193 | 1 |
| 11 | USB Port (Included in Ref. 1) | See Table 7 | 1 |
| 12 | Pen Drive 1 GB (Included in Ref. 1), not showed | See Table 7 | 1 |

Table 7. Bezel & Electric Circuit Assy., Parts List

| | 3PE~400V/200V 50/60 Hz |
|--------------------|------------------------|
| Bezel 1x | EL-00192 |
| Circuit 1x | EL-00019-07 |
| Switch 1x | EL-00107-07 |
| Switch Command 1x | EL-00107-06 |
| Spacer 9x | EL-00019-03 |
| USB Port 1x | EL-00078-04 |
| Massive Storage 1x | EL-00078-05 |

HYDRAULIC MANIFOLD WITH 28 CC. PUMP

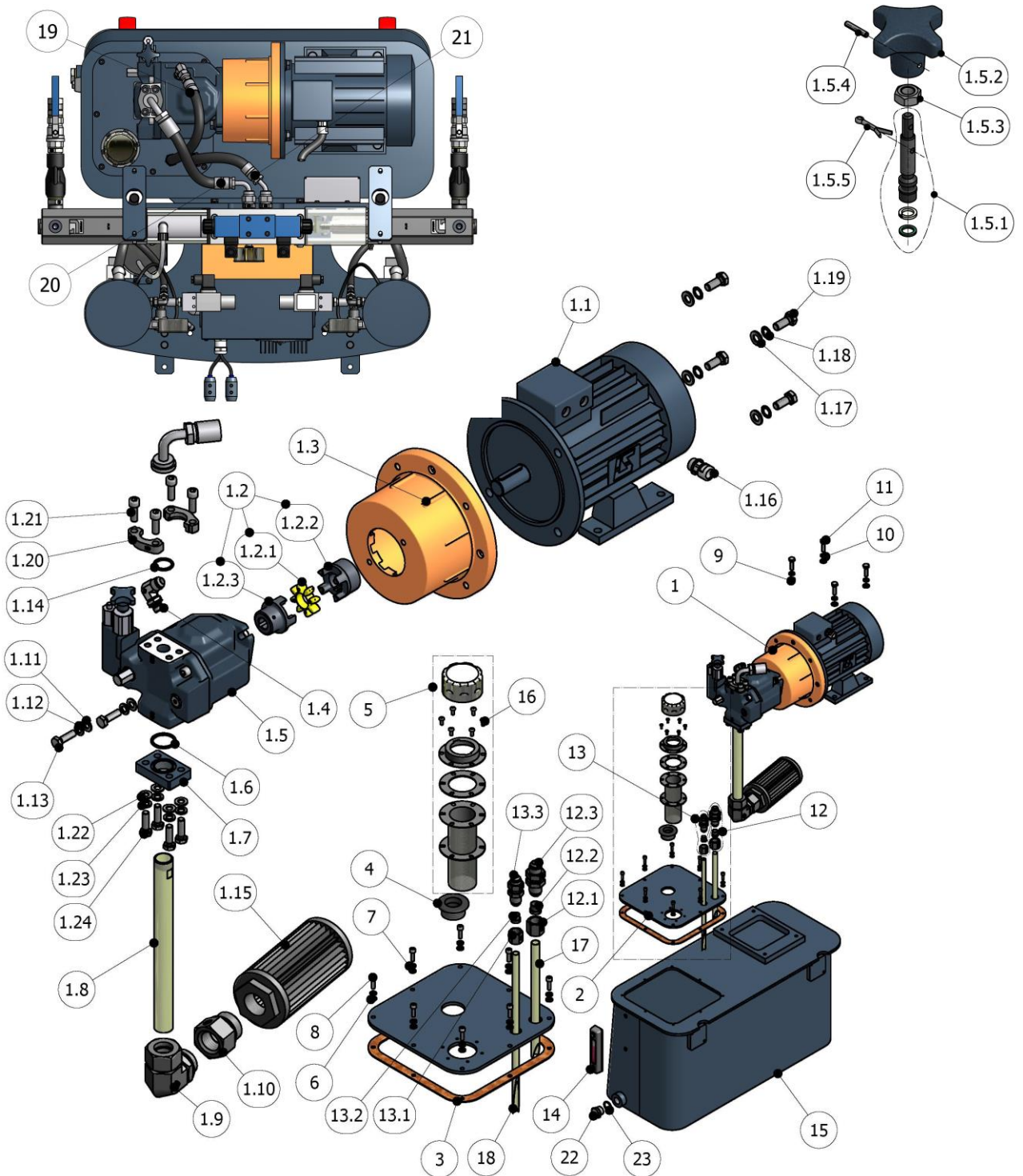


Figure 3. Hydraulic Manifold with 28 cc. Pump, Exploded View



Table 8. Hydraulic Manifold with 28 cc. Pump, Parts List

| Ref. | Description | Part Number | Qty. |
|-------|---|---------------|-------|
| 1 | Motor/Pump Line Assembly | See Table 9 | 1 |
| 1.1 | Electric Motor | See Table 9 | 1 |
| 1.2 | Coupler Assembly | See Table 10 | 1 |
| 1.2.1 | Alignment Spidex | See Table 10 | 1 |
| 1.2.2 | Spidex Motor | See Table 10 | 1 |
| 1.2.3 | Spidex Pump | See Table 10 | 1 |
| 1.3 | Bell Housing | See Table 11 | 1 |
| 1.4 | Hose Elbow | RA-00058 | 1 |
| 1.5 | HYD Pump Assembly (with Regulator) | HI-00081-G50H | 1 |
| 1.5.A | HYD Pump | HI-00081 | 1 (°) |
| 1.5.B | Limiter Assy | HI-00102-00 | 1 (°) |
| 1.5.1 | Limiter Bolt (without o-rings and nut) | HI-00102-01 | 1 (@) |
| | Anti Extrusion Ring (It's provided with the Hydr. Pump) | OR- | 1 (*) |
| | O-Ring (It is provided with the Hydraulic Pump) | OR- | 1 (*) |
| 1.5.2 | Limiter Knob | HI-00102-02 | 1 (@) |
| 1.5.3 | Nut (It is provided with the Hydraulic Pump) | - | 1 (*) |
| 1.5.4 | Elastic Pin | TN-00072 | 1 (@) |
| 1.5.5 | Fins Pin | TN-00077 | 1 (@) |
| 1.6 | O-Ring | OR-00029 | 1 |
| 1.7 | Suction Plate | HI-00081-01 | 1 |
| 1.8 | Suction Tube | HI-00009-01 | 1 |
| 1.9 | Street Elbow | RA-00030 | 1 |
| 1.10 | Thread Reducer | RA-00031 | 1 |
| 1.11 | Washer | TN-00040 | 2 |
| 1.12 | Lock Washer | TN-00039 | 2 |
| 1.13 | Socket Head Cap Screw | TN-00060 | 2 |
| 1.14 | O-Ring | OR-00083 | 1 |
| 1.15 | Cartridge Strainer | HI-00003 | 1 |
| 1.16 | Bushing | EL-00087-00 | 1 |

(°) Parts included in Ref. 1.5. () Parts included in Ref. 1.5.A*

(@) Parts included in Ref. 1.5.B



| Ref. | Description | Part Number | Qty. |
|------|-----------------------------------|--------------|------|
| 1.17 | Washer | TN-00040 | 4 |
| 1.18 | Lock Washer | TN-00039 | 4 |
| 1.19 | Socket Head Cap Screw | TN-00060 | 4 |
| 1.20 | SAE Flange | RA-00266 | 1 |
| 1.21 | Socket Head Cap Screw | TN-00253 | 4 |
| 1.22 | Washer | TN-00040 | 4 |
| 1.23 | Lock Washer | TN-00039 | 4 |
| 1.24 | Socket Head Cap Screw | TN-00254 | 4 |
| 2 | Reservoir Cover Plate | HI-00039-04B | 1 |
| 3 | Reservoir Cover Plate Gasket | HI-00014-03 | 1 |
| 4 | Rubber Grommet | HI-00017 | 1 |
| 5 | HYD-Oil Filler | HI-00002 | 1 |
| 6 | Washer | TN-00025 | 8 |
| 7 | Lock Washer | TN-00024 | 8 |
| 8 | Socket Head Cap Screw | TN-00026 | 8 |
| 9 | Washer | TN-00162 | 4 |
| 10 | Lock Washer | TN-00087 | 4 |
| 11 | Socket Head Cap Screw | TN-00163 | 4 |
| 12 | Adapters Bulkhead Union Assy | RA-00059 | 1 |
| 12.1 | Nut | RA-00171 | 1 |
| 12.2 | Ferule | RA-00169 | 1 |
| 12.3 | Adapters Bulkhead Union | RA-00170 | 1 |
| 13 | Adapters Bulkhead Union Assy | RA-00060 | 1 |
| 13.1 | Nut | RA-00174 | 1 |
| 13.2 | Ferule | RA-00173 | 1 |
| 13.3 | Adapters Bulkhead Union | RA-00172 | 1 |
| 14 | Thermometer and Fluid Level Gauge | HI-00001 | 1 |
| 15 | Oil Tank | HI-00037-01 | 1 |
| 16 | ULS Screw | TN-00166 | 6 |



| Ref. | Description | Part Number | Qty. |
|------|-------------------|-------------|------|
| 17 | Return Tube | HI-00051 | 1 |
| 18 | Return Tube | HI-00010 | 1 |
| 19 | Drain Hose Pump | HI-00053-02 | 1 |
| 20 | P-Port Hose. Pump | HI-00087-01 | 1 |
| 21 | T-Port Hose | HI-00024 | 1 |
| 22 | Plug | RA-00022 | 1 |
| 23 | O-Ring | OR-00082 | 1 |

Table 9. Specific Hydraulic Components, Parts List

| Flow | Motor/Pump Line Assy | Electric Motor | Hydraulic Pump |
|-------------|----------------------|--------------------|---------------------------|
| 40 Lts./min | HI-00039-07 | EL-00138-01 (400V) | HI-00081-G50H (28 cc.) |
| | | EL-00138-12 (200V) | |

Table 10. Coupler Assembly as Pump, Part List

| Pump Size | Coupler Assembly Ref. 1.2 | Spidex Pump Ref. 1.2.3 | Spidex Motor Ref. 1.2.2 | Alignment Spidex Ref. 1.2.1 |
|-----------|---------------------------|------------------------|-------------------------|-----------------------------|
| 28 cc. | HI-00006-00 | HI-00006-03 | HI-00006-02 | HI-00006-01 |

Table 11. Bell Housing as Pump & Motor type, Parts List

| Motor 5.5 Kw | 28 cc. Pump |
|--|-------------|
| EL-00138-01 (400V) EL-00138-12 (200V) | HI-00086 |

REVERSING SWITCH

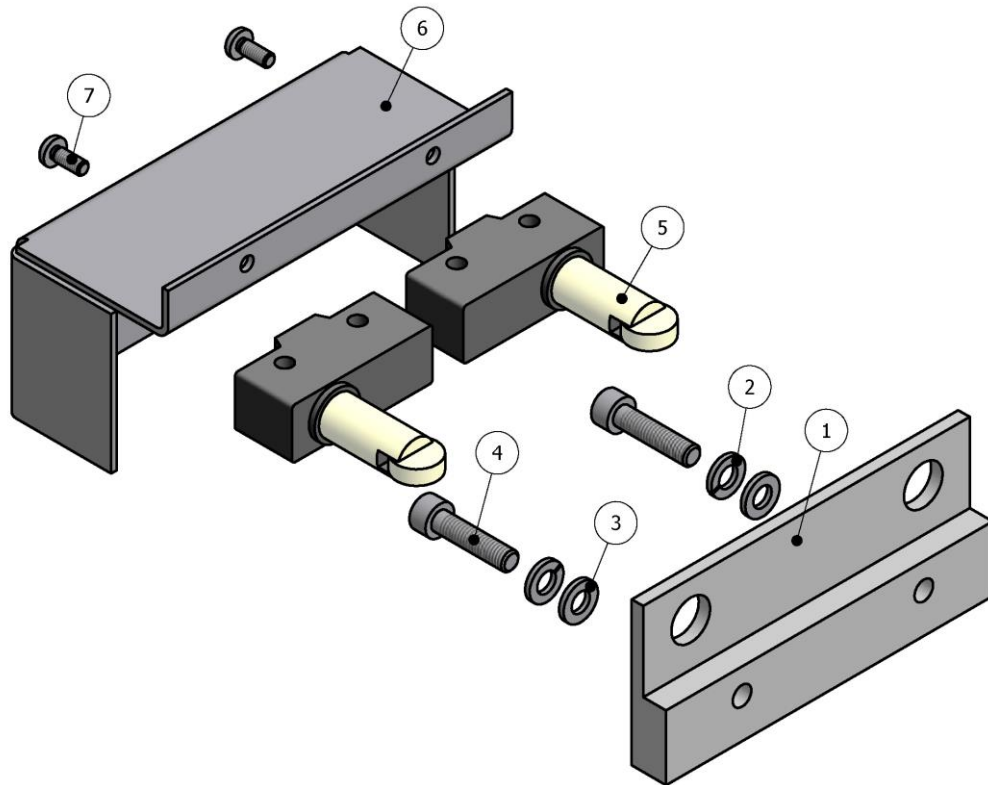


Figure 4. Reversing Switch Assy., Exploded View.

Table 12. Reversing Switch Assy., Parts List

| Ref. | Description | Part Number | Qty. |
|------|--------------------------|-------------|------|
| 1 | Reversing Switch Support | MQ-01005 | 1 |
| 2 | Washer | TN-00025 | 2 |
| 3 | Lock Washer | TN-00024 | 2 |
| 4 | Socket Head Cap Screw | TN-00169 | 2 |
| 5 | Pump Reversing Switch | EL-00020 | 2 |
| 6 | Reversing Switch Cover | MQ-01006 | 1 |
| 7 | ULS Screw | TN-00159 | 2 |



LUBE RESERVOIR HOSE ASSEMBLY

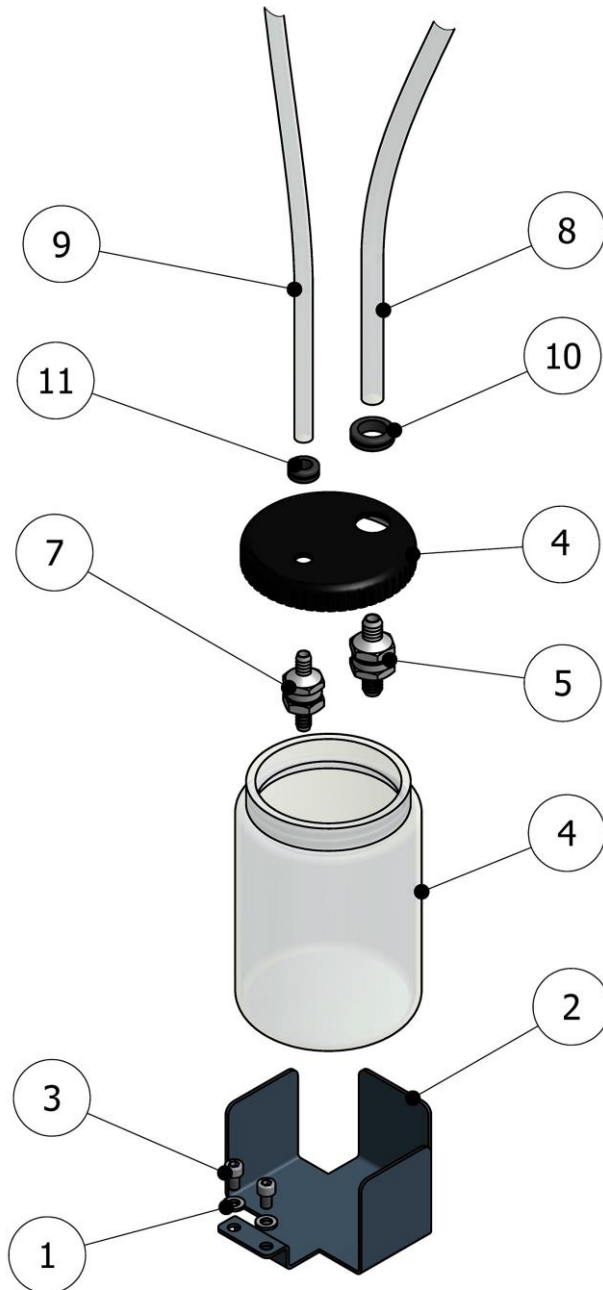


Figure 5. Lube Reservoir Hose Assembly, Exploded View



Table 13. Lube Reservoir Hose Assembly, Parts List

| Ref. | Description | Part Number | Qty. |
|------|--|-------------|------|
| 1.1 | Washer | TN-00024 | 2 |
| 1.2 | Washer | TN-00025 | 2 |
| 2 | Lube Reservoir Bracket | MQ-01008 | 1 |
| 3 | Socket Head Cap Screw | TN-00248 | 2 |
| 4 | Lube Reservoir Bottle with Drilled Cap | MQ-01009-01 | 1 |
| 5 | Lube Reservoir Check Valve for Pipe 12x1 | RA-00068 | 1 |
| 6 | | | |
| 7 | Lube Reservoir Check Valve for Pipe 10x1 | RA-00283 | 1 |
| 8 | Supply Line | MA-00025 | 1 |
| 9 | Return Line | MA-00024 | 1 |
| 10 | Rubber Grommet | EL-00095-03 | 1 |
| 11 | Rubber Grommet | EL-00095-01 | 1 |

PUMP LINE ASSEMBLY

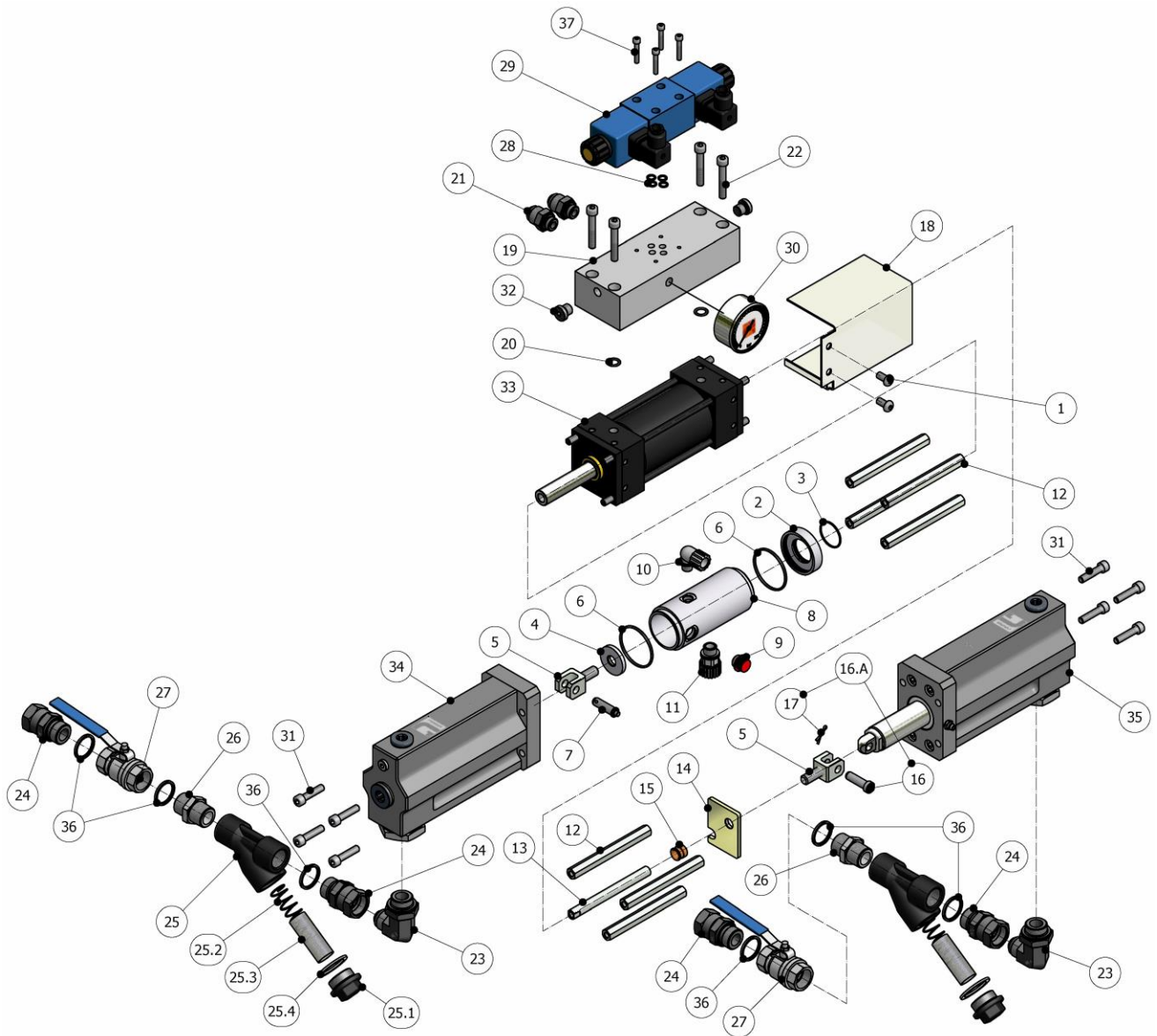


Figure 6. Pump Line Assembly, Exploded View



Table 14. Pump Line Assembly, Parts List

| Ref. | Description | Part Number | Qty. |
|------|--|--------------|------|
| 1 | Socket Head Cap Screw | TN-00135 | 2 |
| 2 | Lube Cylinder Adapter Plate | PU-01021 | 1 |
| 3 | O-Ring | OR-00021 | 1 |
| 4 | Baffle | PU-01019 | 1 |
| 5 | Hydraulic Cylinder Clevis | PU-01043 | 2 |
| 6 | Lube Cylinder O-Ring | OR-00020 | 2 |
| 7 | "A" Clevis Pin Assembly (Include Ref. 7.1 & 7.2) | PU-01044-00 | 1 |
| 7.1 | Clevis Pin (included in Ref. 7) | PU-01044-01M | 1 |
| 7.2 | Clevis Pin Clip (included in Ref. 7) | TN-00136 | 1 |
| 7.3 | Washer (included in Ref. 7) | TN-00024 | 1 |
| 8 | Lube Cylinder | PU-01018 | 1 |
| 9 | Polyethylene Pipe Plug | RA-00116 | 1 |
| 10 | Lube Cylinder Elbow | RA-00066 | 1 |
| 11 | Lube Cylinder fitting | RA-00067 | 1 |
| 12 | Proportioning Pump Spacer | PU-01025 | 7 |
| 13 | Reversing Switch Pump Spacer | PU-01026 | 1 |
| 14 | Reversing Switch Activate Plate | PU-01023 | 1 |
| 15 | Bronze Bushing | PU-01022 | 1 |
| 16 | "R" Clevis Pin | PU-01045-01 | 1 |
| 17 | Pin | TN-00077 | 1 |
| 16A | "R" Clevis Pin Assembly (includes Ref. 16 & 17) | PU-01045-00 | 1 |
| 18 | Activator Plate Cover | PU-01027 | 1 |
| 19 | Hydraulic Manifold | MQ-01007 | 1 |
| 20 | O-Ring | OR-00019 | 2 |
| 21 | Hex nipple | RA-00062 | 2 |
| 22 | Socket Head Cap Screw | TN-00090 | 4 |
| 23 | Street Elbow | RA-00072 | 2 |
| 24 | Swivel Union | RA-00073 | 4 |
| 25 | Y-Strainer | RA-00074-00 | 2 |
| 25.1 | Filter Plug | RA-00074-01 | 2 |
| 25.2 | Filter Spring | SP-00017 | 2 |



| Ref. | Description | Part Number | Qty. |
|------|---------------------------------|----------------|------|
| 25.3 | Filter | RA-00074-03-30 | 2 |
| 25.4 | Filter Gasket | OR-00061 | 2 |
| 26 | Hex Nipple | RA-00143 | 2 |
| 27 | Ball Valve | RA-00078 | 2 |
| 28 | Junta Tórica | OR-00035 | 4 |
| 29 | Directional valve | HI-00054 | 1 |
| 30 | Hydraulic Gauge | HI-00078 | 1 |
| | Hydraulic Gauge without Logo | HI-00078SL | |
| 31 | Socket Head Cap Screw | TN-00245 | 8 |
| 32 | Plug | RA-00013 | 2 |
| 33 | Hydraulic Cylinder With Spacers | HI-00101 | 1 |
| 34 | “A” Proportioning Pump Assembly | See Table 15 | 1 |
| 35 | “R” Proportioning Pump Assembly | See Table 15 | 1 |
| 36 | Gasket | OR-00082 | 6 |
| 37 | Screw | TN-00148 | 4 |

Table 15. Proportioning Pump Size, Parts

| SIZE | Proportioning Pump Size | | | |
|----------|-------------------------------|-----------------|-------------------------------|-----------------|
| | 34 A-Proportioning Pump Assy. | | 35 R-Proportioning Pump Assy. | |
| | | w/o Logo | | w/o Logo |
| 1.20 (*) | PU-06101-012G | PU-06101-012GSL | PU-06102-012G | PU-06102-012GSL |

Note: (*) The standard proportioning pump size is #1.20. Different sizes are available under order. For delivery time, please consult with Marketing department.

HYDRAULIC CYLINDER WITH SPACERS

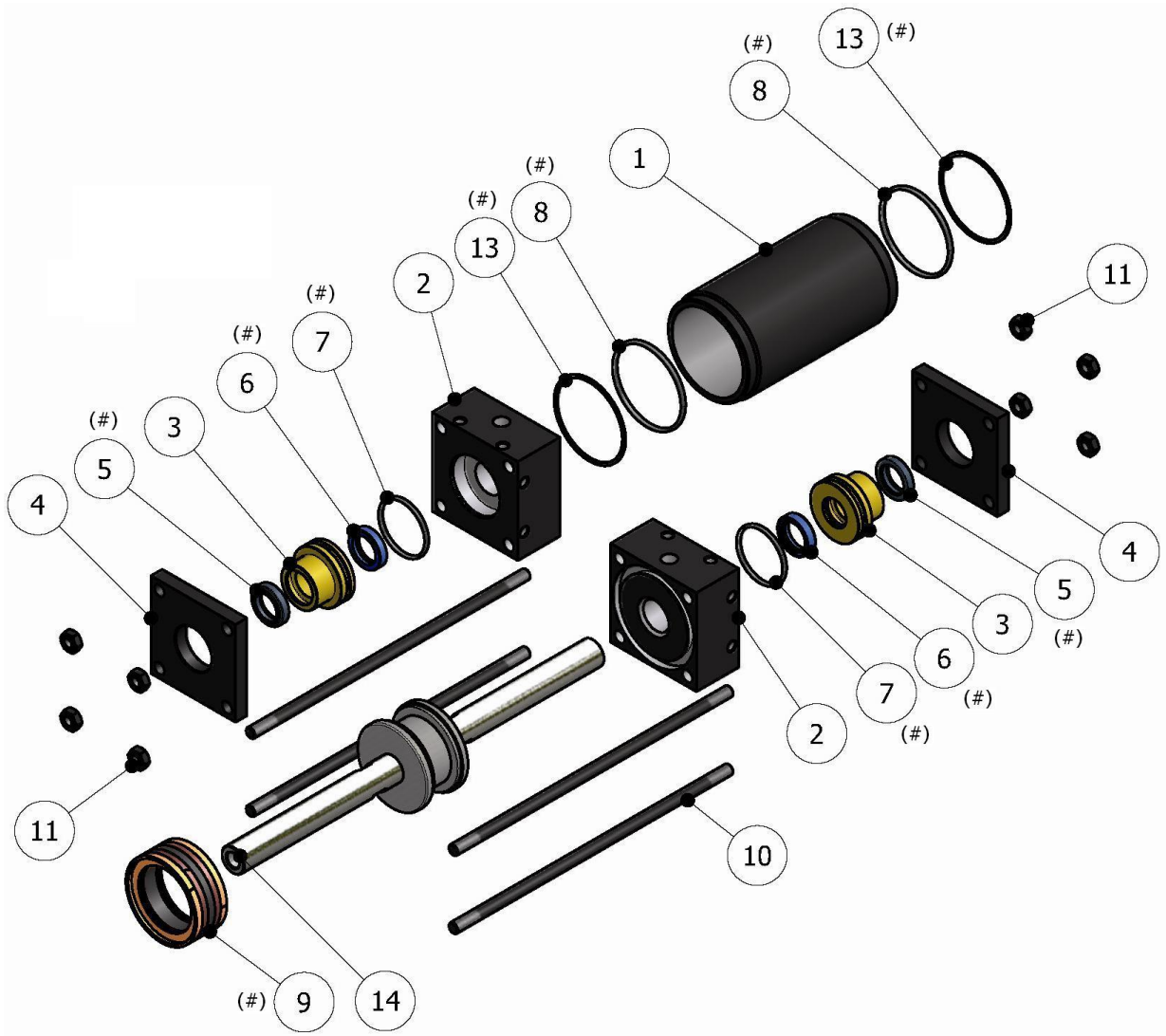


Figure 7. Hydraulic Cylinder with Spacers, Exploded View

N.B.: The indicated parts (#) are included in the repair seal kit KT-00010-01.



Table 16. Hydraulic Cylinder with Spacers, Parts List

| Ref. | Description | Part Number | Qty. |
|------|----------------------------|-------------|-------|
| 1 | Cylinder Body | HI-00025-05 | 1 |
| 2 | Port Block | HI-00101-04 | 2 |
| 3 | Rod Bushing | HI-00101-03 | 2 |
| 4 | U-Cap | HI-00025-02 | 2 |
| 5 | Rod Wiper | OR-00095 | 2 (#) |
| 6 | Shaft Seal | OR-00096 | 2 (#) |
| 7 | O-Ring | OR-00039 | 2 (#) |
| 8 | O-Ring | OR-00040 | 2 (#) |
| 9 | Piston O-ring | OR-00041-00 | 1 (#) |
| 10 | Hydraulic Cylinder Tie Rod | HI-00025-06 | 4 |
| 11 | Nut (*) | TN-00029 | 8 |
| 13 | O-Ring Anti Extrusion | OR-00063 | 2 (#) |
| 14 | Piston | HI-00101-01 | 1 |

() Only when the Cylinder is supplied as a spare part, (not included in the Pump Line fitted in the machine)*

The indicated parts (#) are included in the repair seal kit KT-00010-01.

"A" PROPORTIONING PUMP ASSEMBLY

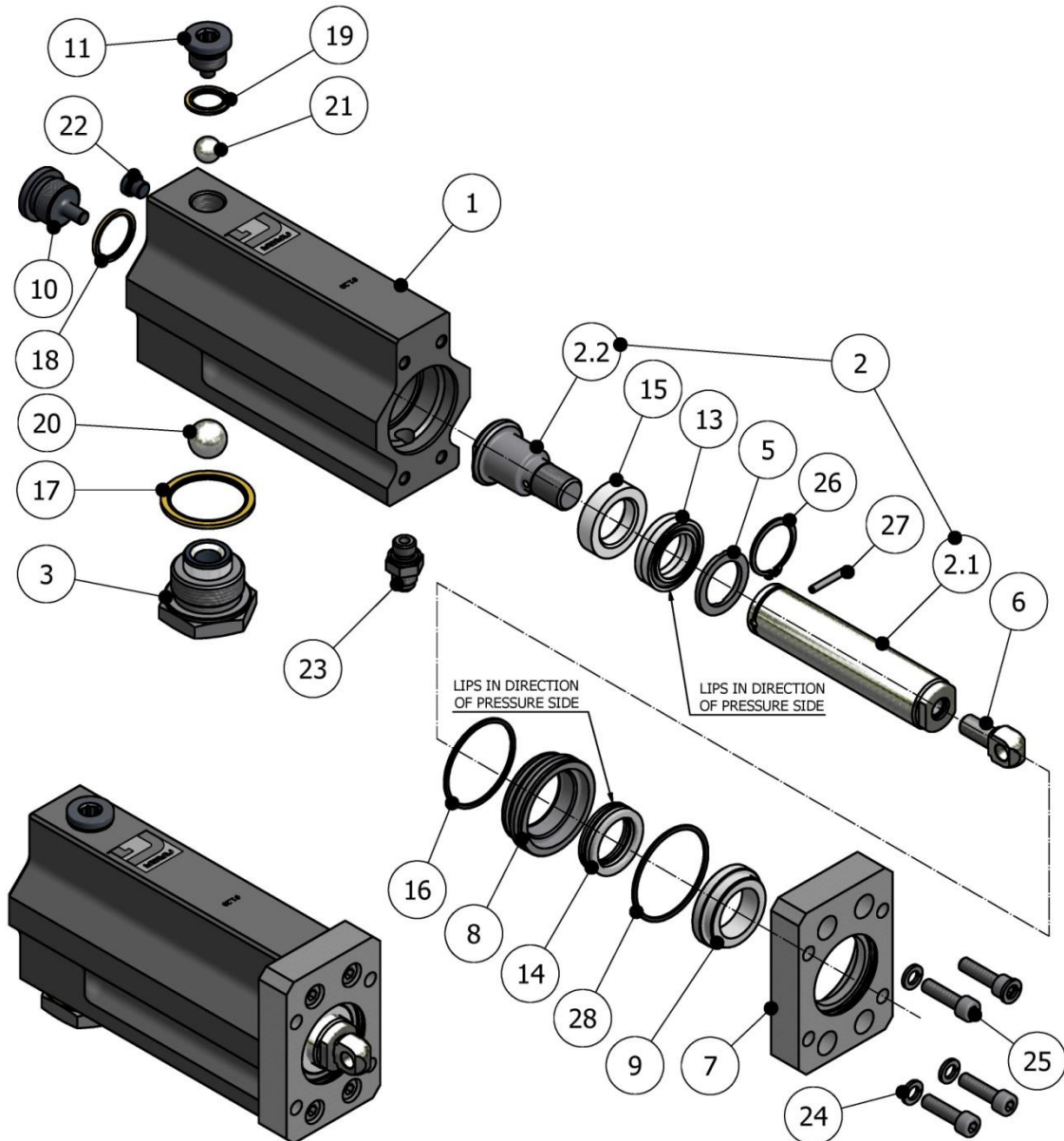


Figure 8. "A" Proportioning Pump Assembly, Exploded View



Table 17. "A" Proportioning Pump Assembly, Parts List

| item. | Description | Part Number | Qty. |
|-------|--|--------------|-------|
| 1 | Body Pump with Check Valve Seat | See Table 18 | 1 |
| 2 | Piston Rod Assembly (Only item. 2.1 y 2.2) | See Table 18 | 1 |
| 2.1 | Piston Rod (Included in item 2) | See Table 18 | 1 (#) |
| 2.2 | Piston Head (Included in item 2) | See Table 18 | 1 (#) |
| 3 | Inlet Ball Seat Assembly | PU-01003-0J | 1 |
| 4 | | | |
| 5 | Piston Seal | See Table 18 | 1 |
| 6 | Pump Clevis | See Table 18 | 1 |
| 7 | Monoblock Flange Pump – ISO | See Table 18 | 1 |
| 8 | Seat Seal – ISO | See Table 18 | 1 |
| 9 | Bearing ISO | See Table 19 | 1 (*) |
| 10 | Plug Side Pump | PU-01003-0E | 1 |
| 11 | Upper Plug Pump | PU-01003-0F | 1 |
| 12 | | | |
| 13 | Piston Seal | See Table 19 | 1 (*) |
| 14 | Cylinder Seal | See Table 19 | 1 (*) |
| 15 | Piston Guide | See Table 19 | 1 (*) |
| 16 | O-Ring | See Table 19 | 1 (*) |
| 17 | Metallic Ring | OR-00088 | 1 |
| 18 | Metallic Ring | OR-00082 | 1 |
| 19 | Metallic Ring | OR-00023 | 1 |
| 20 | Lower Ball | TN-00013 | 1 |
| 21 | Upper Ball | TN-00012 | 1 |
| 22 | Plug | See Table 18 | 1 |
| 23 | Output Elbow | RA-00145 | 1 |
| 24 | Washer | See Table 18 | 4 |
| 25 | Allen Screw | See Table 18 | 4 |
| 26 | Seeger Ring | See Table 18 | 1 |
| 27 | Pin | See Table 18 | 1 |
| 28 | O-Ring | See Table 19 | 1 (*) |

N.B.: The parts marked with (*), are included in the repair seal kit of "A" pump (see ¡Error! No se encuentra el origen de la referencia.).

The parts marked with (#), are not supplied separately.



Table 18. "A" Proportioning Pump Assembly, Parts List

| Pump | Item 1 | Item 2 (2.1 + 2.2) | Item 2.1 | Item 2.2 |
|----------|--------------|-----------------------|--------------|--------------|
| 1.20 (#) | PU-06001-012 | PU-01006-012 | PU-01007-012 | PU-01008-012 |

| Pump | Item 5 | Item 6 | Item 7 | Item 8 | Item 22 |
|----------|--------------|----------|----------|---------------|----------|
| 1.20 (#) | PU-01010-012 | PU-01042 | PU-06004 | PU-06009-012G | RA-00211 |

| Pump | Item 24 | Item 25 | Item 26 | Item 27 |
|----------|----------|----------|----------|----------|
| 1.20 (#) | TN-00028 | TN-00062 | TN-00070 | TN-00086 |

Table 19. Seals Monobloc "A" Pump

| item | 1.20 (#) |
|------|---------------|
| 9 | PU-06007-012 |
| 13 | PU-01016-012A |
| 14 | PU-01017-012G |
| 15 | PU-01014-012A |
| 16 | OR-00009 |
| 28 | OR-00115 |

Table 20. Repair Seal Kit "A" Pump

| Pump | Item |
|----------|----------|
| 1.20 (#) | KT-00157 |

N.B : (#) The standard proportioning pump sizes is #1.20. Different sizes are available under order. For delivery time, please consult with Marketing department.

The Repair seal kit include the parts indicated with (*) in the Table 17.

“R” PROPORTIONING PUMP ASSEMBLY

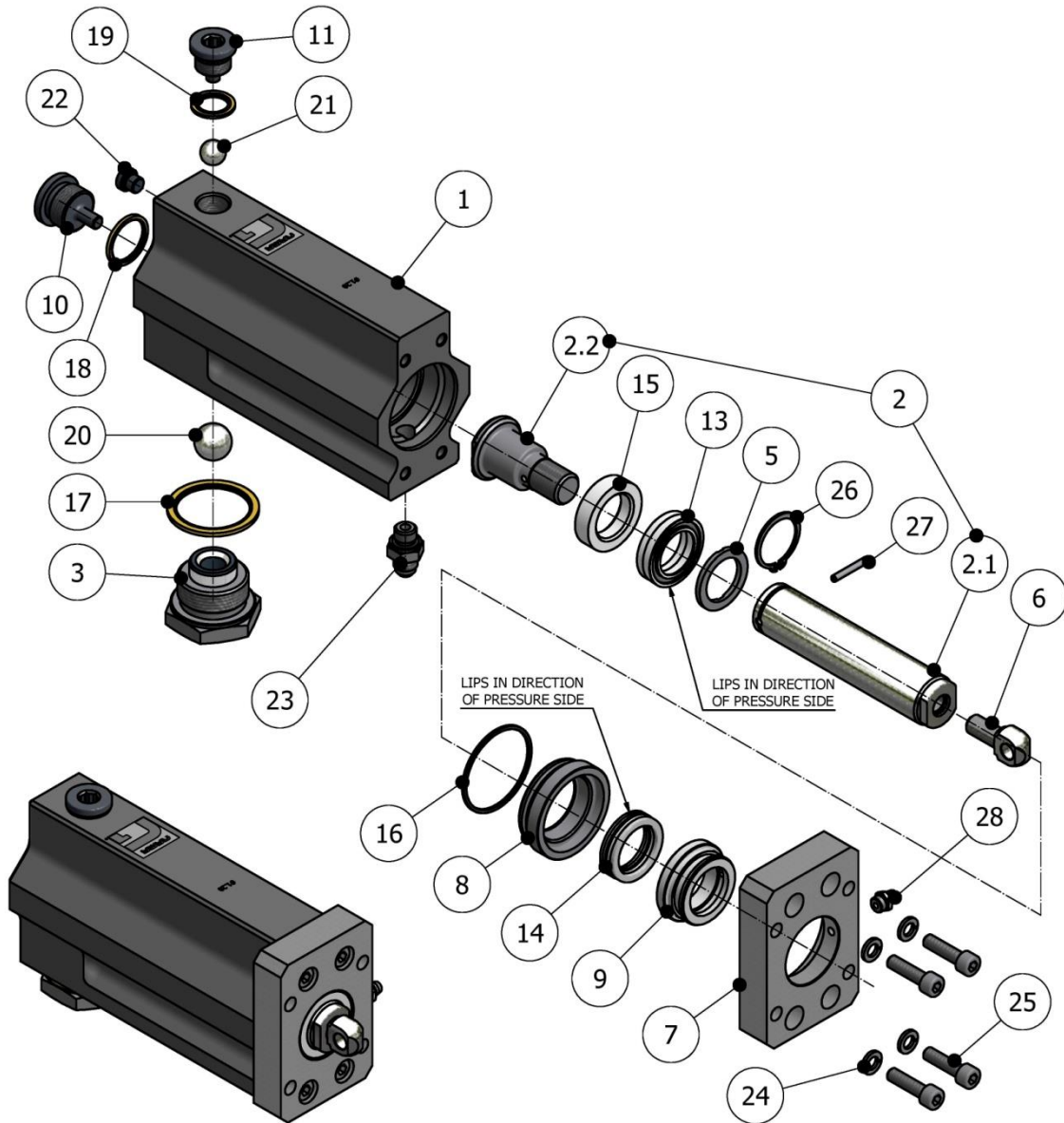


Figure 9. “R” Proportioning Pump Assembly, Exploded View



Table 21. “R” Proportioning Pump Assembly, Parts List

| item. | Description | Part Number | Qty. |
|-------|--|--------------|-------|
| 1 | Body Pump with Check Valve Seat | See Table 22 | 1 |
| 2 | Piston Rod Assembly (Only item. 2.1 y 2.2) | See Table 22 | 1 |
| 2.1 | Piston Rod (Included in item 2) | See Table 22 | 1 (#) |
| 2.2 | Piston Head (Included in item 2) | See Table 22 | 1 (#) |
| 3 | Inlet Ball Seat Assembly | PU-01003-0J | 1 |
| 4 | | | |
| 5 | Piston Seal | See Table 22 | 1 |
| 6 | Pump Clevis | See Table 22 | 1 |
| 7 | Monoblock Flange Pump – POL | See Table 22 | 1 |
| 8 | Seat Seal – POL | See Table 22 | 1 |
| 9 | Bearing POL | See Table 23 | 1 (*) |
| 10 | Plug Side Pump | PU-01003-0E | 1 |
| 11 | Upper Plug Pump | PU-01003-0F | 1 |
| 12 | | | |
| 13 | Piston Seal | See Table 23 | 1 (*) |
| 14 | Cylinder Seal | See Table 23 | 1 (*) |
| 15 | Piston Guide | See Table 23 | 1 (*) |
| 16 | O-Ring | See Table 23 | 1 (*) |
| 17 | Metallic Ring | OR-00088 | 1 |
| 18 | Metallic Ring | OR-00082 | 1 |
| 19 | Metallic Ring | OR-00023 | 1 |
| 20 | Lower Ball | TN-00013 | 1 |
| 21 | Upper Ball | TN-00012 | 1 |
| 22 | Plug | See Table 22 | 1 |
| 23 | Exit Elbow | RA-00145 | 1 |
| 24 | Washer | See Table 22 | 4 |
| 25 | Allen Screw | See Table 22 | 4 |
| 26 | Seeger Ring | See Table 22 | 1 |
| 27 | Pin | See Table 22 | 1 |
| 28 | Grease Fiting | See Table 22 | 1 |

N.B.: The parts marked with (*), are included in the repair seal kit of “R” pump (see Table 24).

The parts marked with (#), are not supplied separately.



Table 22. "R" Proportioning Pump Assembly, Parts List

| Pump | Item 1 | Item 2 (2.1 + 2.2) | Item 2.1 | Item 2.2 |
|----------|--------------|-----------------------|--------------|--------------|
| 1.20 (#) | PU-06001-012 | PU-01006-012 | PU-01007-012 | PU-01008-012 |

| Pump | Item 5 | Item 6 | Item 7 | Item 8 | Item 22 |
|----------|--------------|----------|----------|---------------|----------|
| 1.20 (#) | PU-01010-012 | PU-01042 | PU-06005 | PU-06006-012G | RA-00211 |

| Pump | Item 24 | Item 25 | Item 26 | Item 27 | Item 28 |
|----------|----------|----------|----------|----------|----------|
| 1.20 (#) | TN-00028 | TN-00062 | TN-00070 | TN-00086 | TN-00073 |

Table 23. Seals Monobloc "R" Pump

| Pump | Item 9 | Item 13 | Item 14 | Item 15 | Item 16 |
|----------|--------------|---------------|---------------|---------------|----------|
| 1.20 (#) | PU-06008-012 | PU-01016-012A | PU-01017-012G | PU-01014-012A | OR-00009 |

Table 24. Repair Seal Kit "R" Pump

| Pump | Item |
|----------|----------|
| 1.20 (#) | KT-00158 |

N.B :

(#) The standard proportioning pump size is #0.80 & #1.20. Different sizes are available under order. For delivery time, please consult with Marketing department.

The Repair seal kit include the parts indicated with (*) in the Table 21.

“A” PRIMARY HEATER

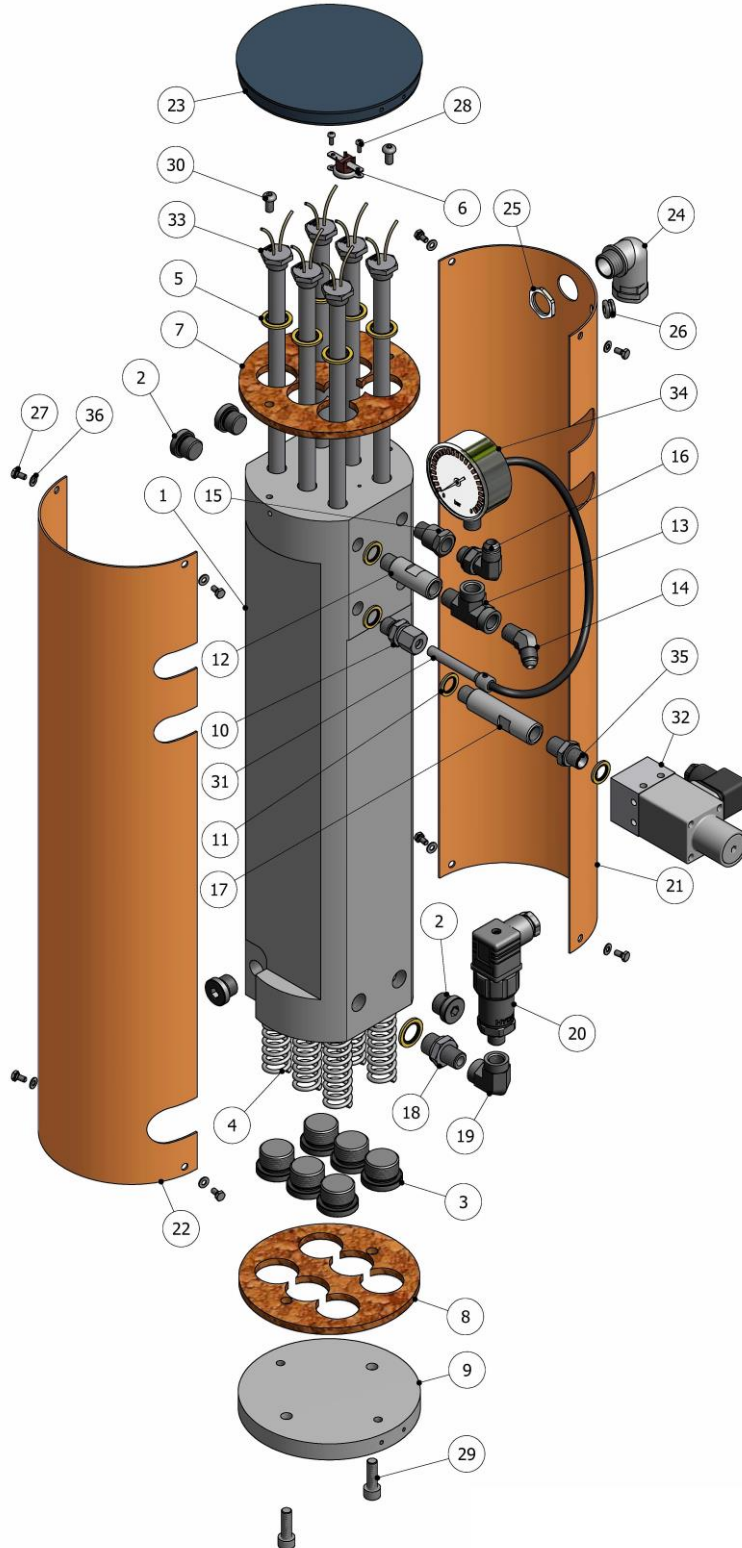


Figure 10. “A” Primary Heater, Exploded View



Table 25. "A" Primary Heater, Parts List

| Ref. | Description | Part Number | Qty. |
|------|-----------------------|---------------|------|
| 1 | Heat Block | CLH-01001-01A | 1 |
| 2 | Pipe Plug | RA-00049 | 4 |
| 3 | Pipe Plug | RA-00012 | 6 |
| 4 | Spring | SP-00009 | 6 |
| 5 | Seal | OR-00018 | 7 |
| 6 | Thermal Limit Switch | EL-00006 | 1 |
| 7 | Top Insulate Plate | CL-01001-04 | 1 |
| 8 | Bottom Insulate Plate | CL-01001-03 | 1 |
| 9 | Bottom Cap | CL-01001-02 | 1 |
| 10 | Thermocouple Nipple | RA-00231 | 1 |
| 11 | Seal | OR-00054 | 4 |
| 12 | Swivel Union | RA-00100 | 1 |
| 13 | Pipe Tee | RA-00018 | 1 |
| 14 | Hose Nipple | RA-00017 | 1 |
| 15 | Swivel Union | RA-00077 | 1 |
| 16 | Elbow Fitting | RA-00050 | 1 |
| 17 | Swivel Union | RA-00101 | 1 |
| 18 | Adapters Union | RA-00160 | 1 |
| 19 | Male Elbow | RA-00105 | 1 |
| 20 | Pressure Transducer | HI-00033 | 1 |
| 21 | Heater Cover | CL-01001-05 | 1 |
| 22 | Heater Cover | CL-01001-06 | 1 |
| 23 | Top Cap | CL-01001-07 | 1 |
| 24 | Conduit Connector | EL-00087-02 | 1 |
| 25 | Nut | EL-00090-01 | 1 |
| 26 | Rubber Grommet | EL-00095-00 | 1 |
| 27 | Screw | TN-00317 | 8 |
| 28 | Screw | TN-00128 | 2 |
| 29 | Screw | TN-00027 | 2 |
| 30 | Screw | TN-00170 | 2 |
| 31 | Thermocouple | EL-00146-00 | 1 |



| Ref. | Description | Part Number | Qty. |
|------|-------------------|--------------|------|
| 32 | Pressure Switch | HI-00021 | 1 |
| 33 | Heat Resistance | See Table 26 | 6 |
| 34 | Liquid Fill Gauge | See Table 26 | 1 |
| 35 | Union | RA-00138 | 1 |
| 36 | Washer | TN-00104 | 8 |

Table 26. Parts List for each model of "A" Heater

| Part Number | Description | Ref. 33 | Ref. 34 |
|---------------|---|----------|------------|
| CLH-01001-00G | A-Heater 250 bar - 9000W-400V | EL-00179 | HI-00035 |
| CLH-01001-00T | A-Heater 250 bar - 9000W-200V without Logos | EL-00243 | HI-00035SL |



“R” PRIMARY HEATER

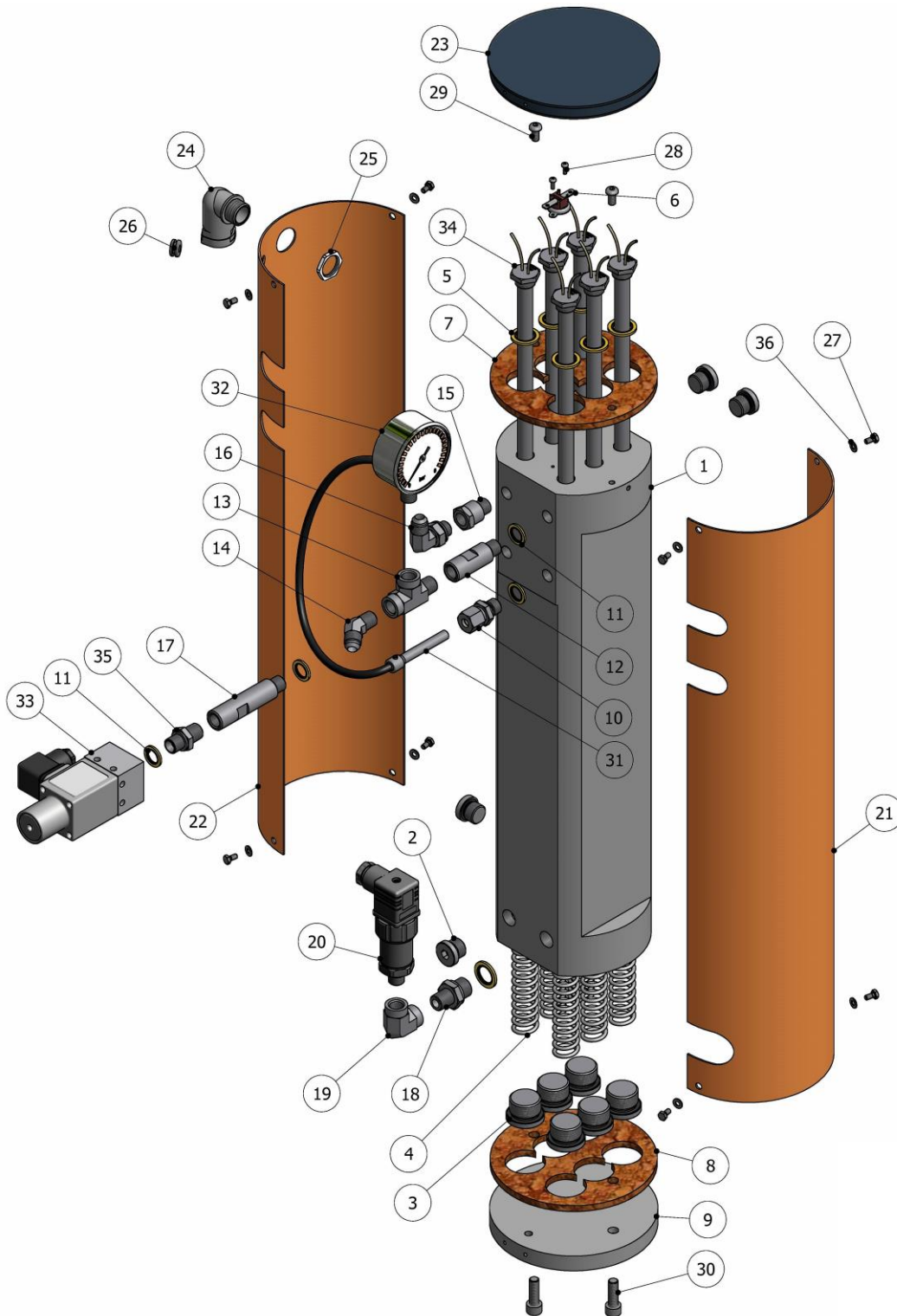


Figure 11. “R” Primary Heater, Exploded View

**Table 27. "R" Primary Heater, Parts List**

| Ref. | Description | Part Number | Qty. |
|------|-----------------------|---------------|------|
| 1 | Heat Block | CLH-01001-01A | 1 |
| 2 | Pipe Plug | RA-00049 | 4 |
| 3 | Pipe Plug | RA-00012 | 6 |
| 4 | Spring | SP-00009 | 6 |
| 5 | Seal | OR-00018 | 7 |
| 6 | Thermal Limit Switch | EL-00006 | 1 |
| 7 | Top Insulate Plate | CL-01001-04 | 1 |
| 8 | Bottom Insulate Plate | CL-01001-03 | 1 |
| 9 | Bottom Cap | CL-01001-02 | 1 |
| 10 | Thermocouple Nipple | RA-00231 | 1 |
| 11 | Seal | OR-00054 | 4 |
| 12 | Swivel Union | RA-00100 | 1 |
| 13 | Pipe Tee | RA-00018 | 1 |
| 14 | Hose Nipple | RA-00043 | 1 |
| 15 | Swivel Union | RA-00077 | 1 |
| 16 | Elbow Fitting | RA-00050 | 1 |
| 17 | Swivel Union | RA-00101 | 1 |
| 18 | Adapters Union | RA-00160 | 1 |
| 19 | Male Elbow | RA-00105 | 1 |
| 20 | Pressure Transducer | HI-00033 | 1 |
| 21 | Heater Cover | CL-01002-05 | 1 |
| 22 | Heater Cover | CL-01002-06 | 1 |
| 23 | Top Cap | CL-01001-07 | 1 |
| 24 | Conduit Connector | EL-00087-02 | 1 |
| 25 | Nut | EL-00090-01 | 1 |
| 26 | Rubber Grommet | EL-00095-00 | 1 |
| 27 | Screw | TN-00317 | 8 |
| 28 | Screw | TN-00128 | 2 |
| 29 | Screw | TN-00170 | 2 |
| 30 | Screw | TN-00027 | 2 |
| 31 | Thermocouple | EL-00146-00 | 1 |



| Ref. | Description | Part Number | Qty. |
|------|-------------------|--------------|------|
| 32 | Liquid Fill Gauge | See Table 28 | 1 |
| 33 | Pressure Switch | HI-00021 | 1 |
| 34 | Heat Resistance | See Table 28 | 6 |
| 35 | Union | RA-00138 | 1 |
| 36 | Washer | TN-00104 | 8 |

Table 28. Parts List for each model of “R” Heater

| Part Number | Description | Ref. 34 | Ref. 32 |
|---------------|---|----------|------------|
| CLH-01002-00G | R-Heater 250 bar – 9000W-400V | EL-00179 | HI-00035 |
| CLH-01002-00T | R-Heater 250 bar – 9000W-200V without Logos | EL-00243 | HI-00035SL |

RECIRCULATION KIT P#: KT-00038

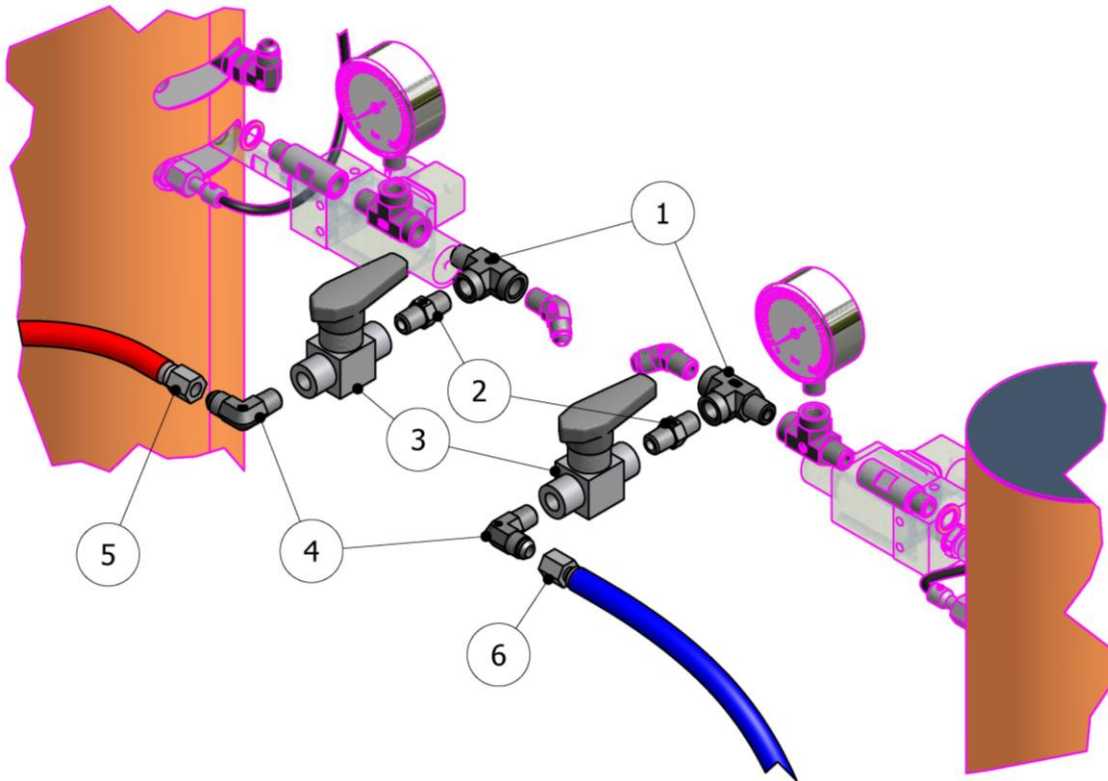


Figure 12. Recirculation Kit P#: KT-00038, Exploded View

Table 29. Recirculation Kit #KT-00038, Parts List

| Ref. | Description | Part Number | Qty. |
|------|--------------|-------------|------|
| 1 | Pipe Tee | RA-00018 | 2 |
| 2 | Swivel Union | RA-00188 | 2 |
| 3 | Ball Valve | RA-00217 | 2 |
| 4 | Elbow ISO | RA-00254 | 1 |
| | Elbow POL | RA-00044 | 1 |
| 5 | A-Hose | MA-00050-01 | 1 |
| 6 | R-Hose | MA-00050-00 | 1 |

RECIRCULATION KIT P#: KT-00038-01

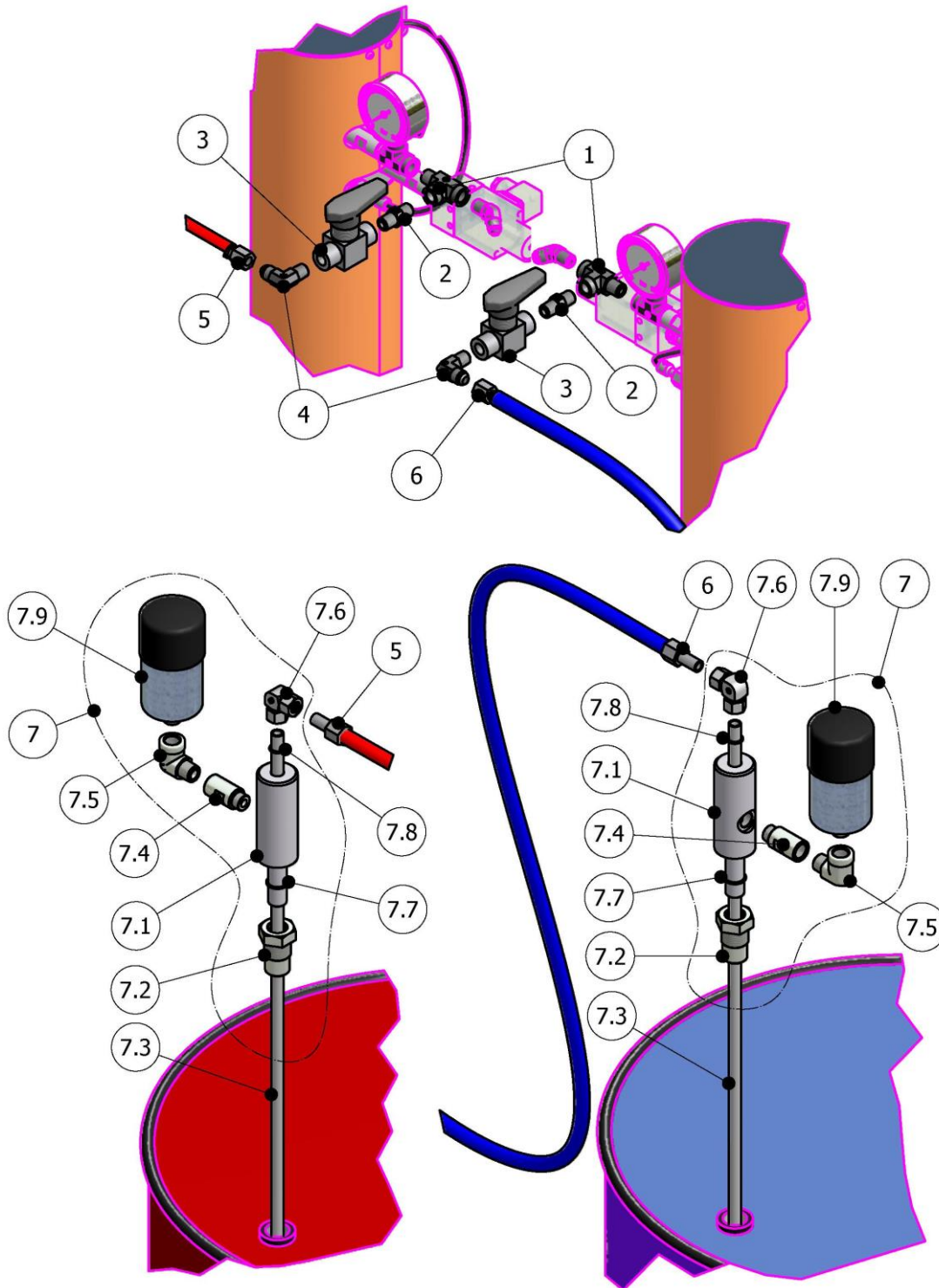


Figure 13. Recirculation Kit P#: KT-00038-01, Exploded View

**Table 30. Recirculation Kit #KT-00038-01, Parts List**

| Ref. | Description | Part Number | Qty. |
|------|--------------------------------------|-------------|-------|
| 1 | Pipe Tee | RA-00018 | 2 |
| 2 | Swivel Union | RA-00188 | 2 |
| 3 | Ball Valve | RA-00217 | 2 |
| 4 | Elbow ISO | RA-00254 | 1 |
| | Elbow POL | RA-00044 | 1 |
| 5 | A-Hose | MA-00050-01 | 1 |
| 6 | R-Hose | MA-00050-00 | 1 |
| 7 | Assy. Connection to Tank with Filter | MQ-05009-00 | 2 |
| 7.1 | Body Connection | MQ-05010 | 1 (*) |
| 7.2 | Connection Tanck | MQ-05009 | 1 (*) |
| 7.3 | Pipe | HI-00075 | 1 (*) |
| 7.4 | Extension | RA-00256 | 1 (*) |
| 7.5 | Elbow | RA-00257 | 1 (*) |
| 7.6 | Elbow for Pipe | RA-00200 | 1 (*) |
| 7.7 | O-Ring | OR-00055 | 2 (*) |
| 7.8 | O-Ring | OR-00011 | 1 (*) |
| 7.9 | Dehumidifier Filter | NE-00045 | 1 (*) |

N.B.:**(*) Unitary Quantities included in 1 set Ref. 7**

RECIRCULATION KIT P# KT-00038-03

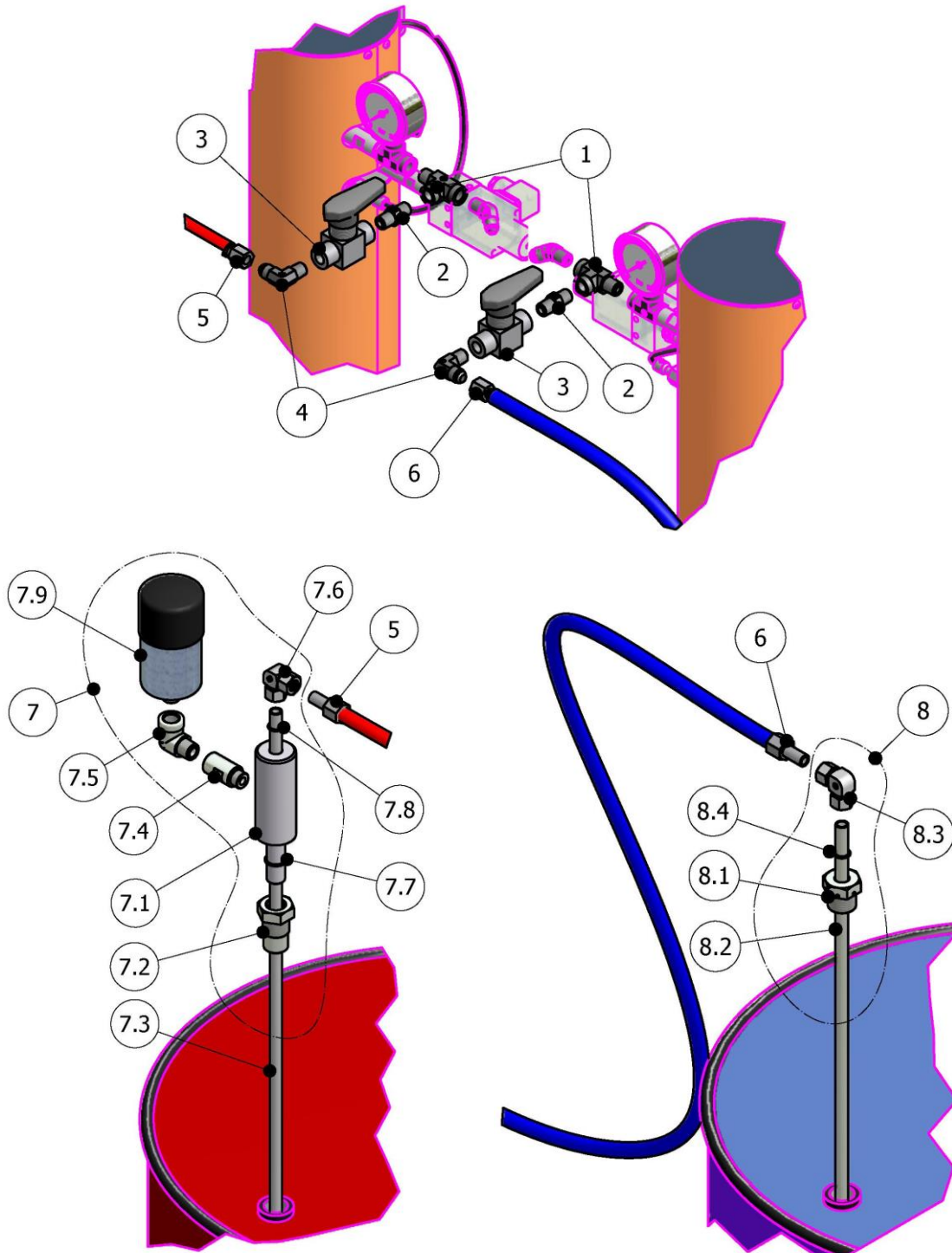


Figure 14. Recirculation Kit P#:. KT-00038-03, Exploded View

**Table 31. Recirculation Kit #KT-00038-03, Parts List**

| Ref. | Description | Part Number | Qty. |
|------|---|-------------|-------|
| 1 | Pipe Tee | RA-00018 | 2 |
| 2 | Swivel Union | RA-00188 | 2 |
| 3 | Ball Valve | RA-00217 | 2 |
| 4 | Elbow ISO | RA-00254 | 1 |
| | Elbow POL | RA-00044 | 1 |
| 5 | A-Hose | MA-00050-01 | 1 |
| 6 | R-Hose | MA-00050-00 | 1 |
| 7 | Assy. Connection to Tank with Filter | MQ-05009-00 | 1 |
| 7.1 | Body Connection | MQ-05010 | 1 (*) |
| 7.2 | Connection Tank | MQ-05009 | 1 (*) |
| 7.3 | Pipe | HI-00075 | 1 (*) |
| 7.4 | Extension | RA-00256 | 1 (*) |
| 7.5 | Elbow | RA-00257 | 1 (*) |
| 7.6 | Elbow for Pipe | RA-00200 | 1 (*) |
| 7.7 | O-Ring | OR-00055 | 2 (*) |
| 7.8 | O-Ring | OR-00011 | 1 (*) |
| 7.9 | Dehumidifier Filter | NE-00045 | 1 (*) |
| 8 | Assy. Connection to Tank without Filter | MQ-05010-00 | 1 |
| 8.1 | Connection Tank | MQ-05009-A | 1 (#) |
| 8.2 | Pipe | HI-00075 | 1 (#) |
| 8.3 | Elbow for Pipe | RA-00200 | 1 (#) |
| 8.4 | O-Ring | OR-00011 | 1 (#) |

N.B.:

(*) Unitary Quantities included in 1 set Ref. 7

(#) Unitary Quantities included in 1 set Ref. 8

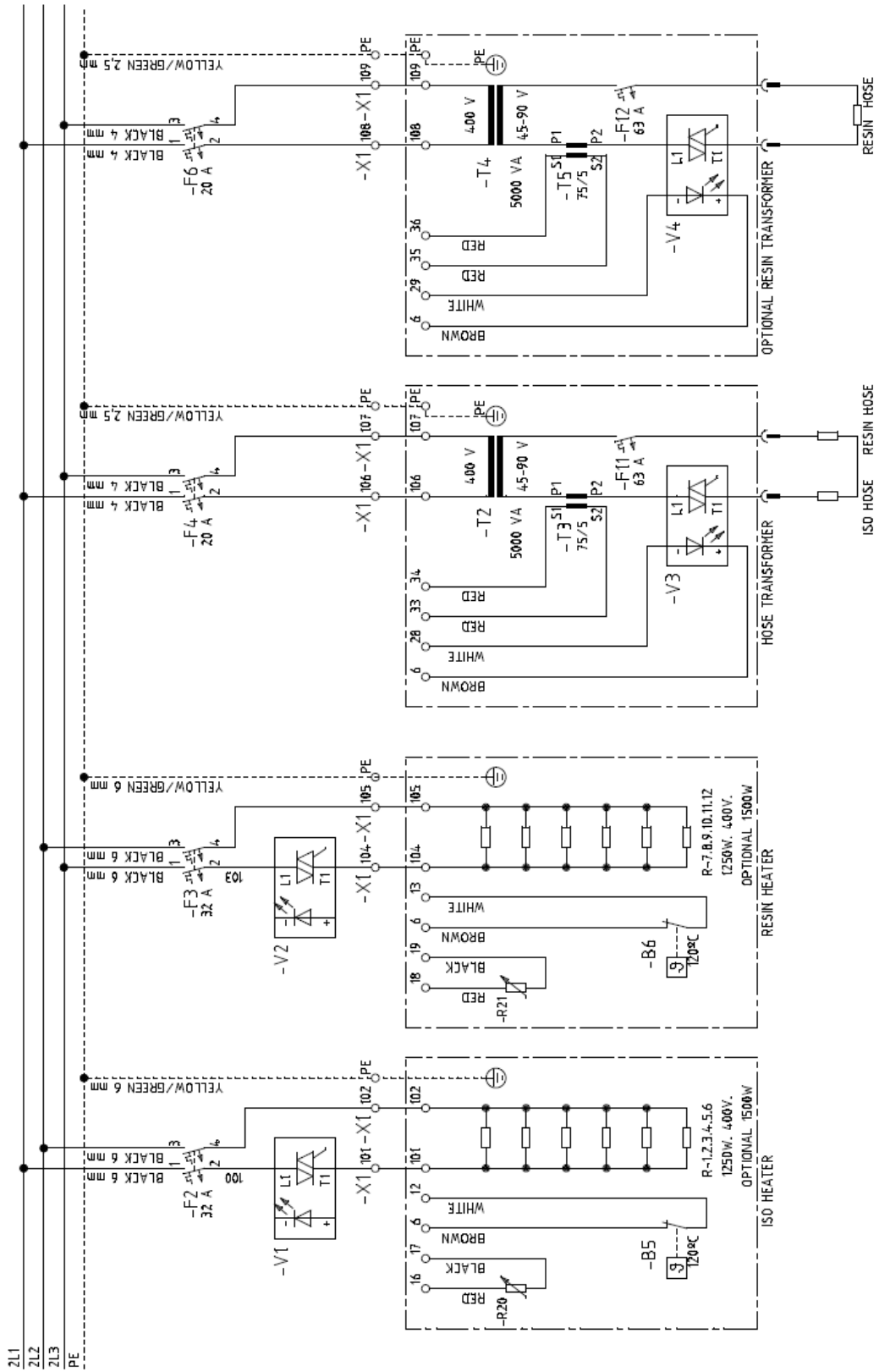


Figure 16. Electrical Schematic Diagram 3PE~400V 50/60Hz, Sheet 2 de 7

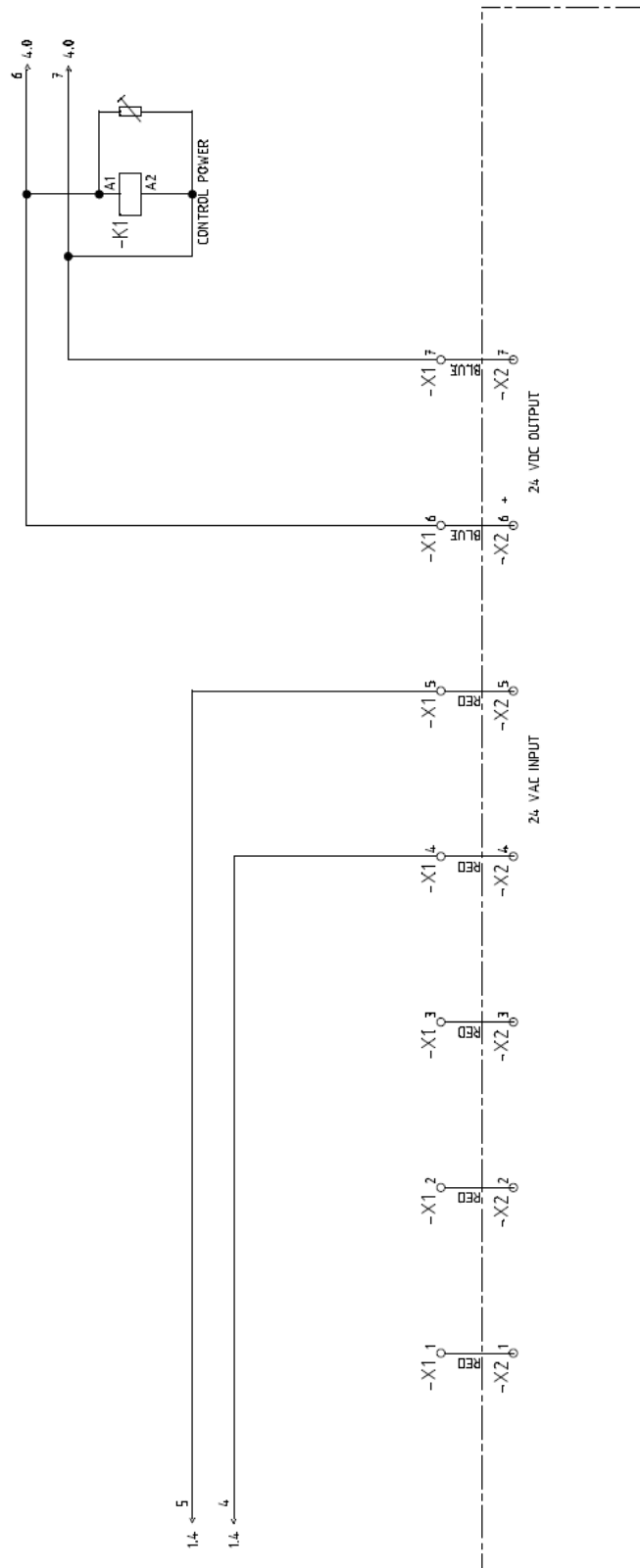


Figure 17. Electrical Schematic Diagram 3PE~400V 50/60Hz, Sheet 3 de 7

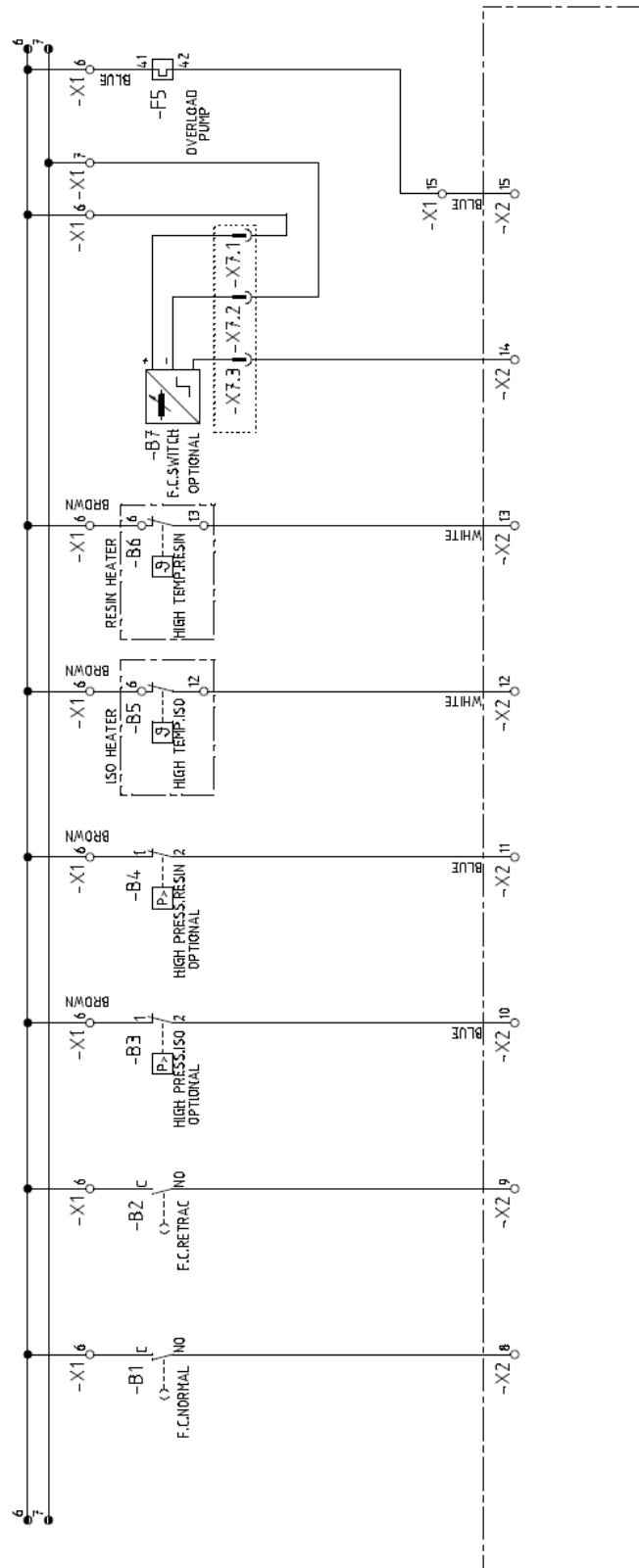


Figure 18. Electrical Schematic Diagram 3PE~400V 50/60Hz, Sheet 4 de 7

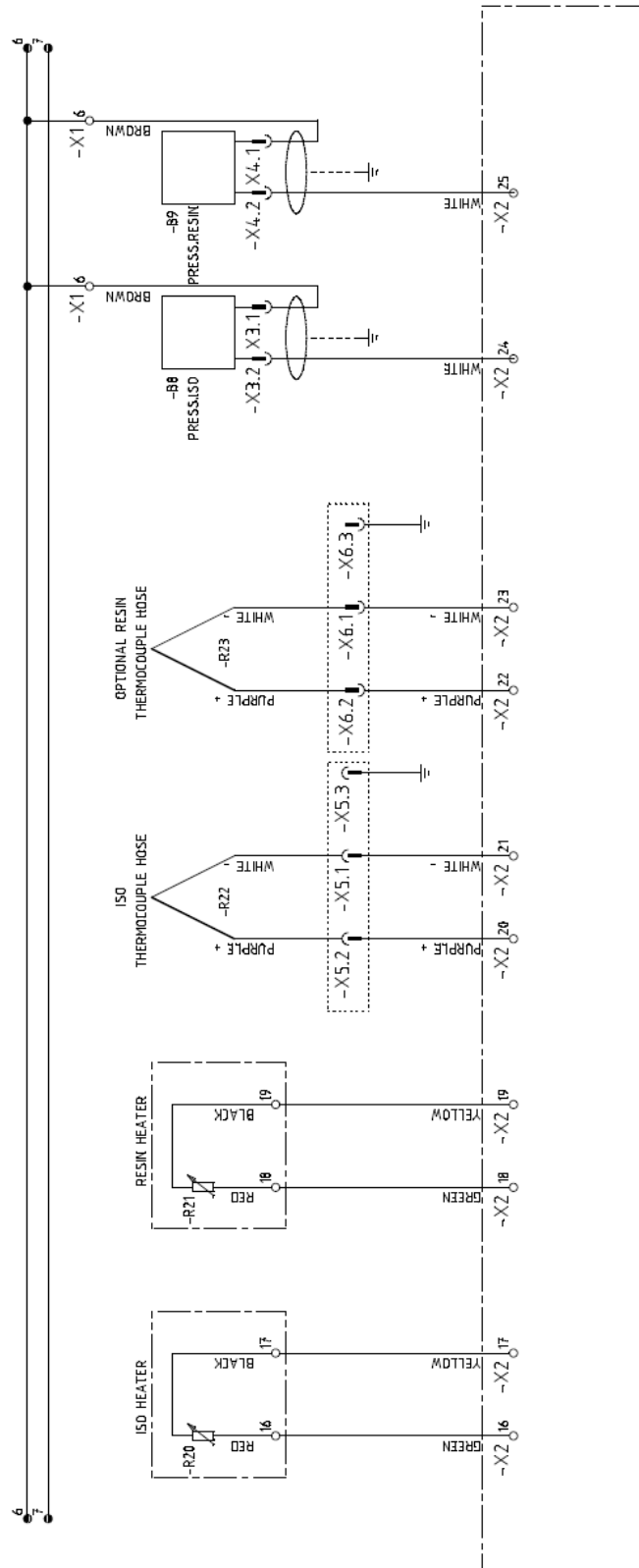


Figure 19. Electrical Schematic Diagram 3PE~400V 50/60Hz, Sheet 5 de 7

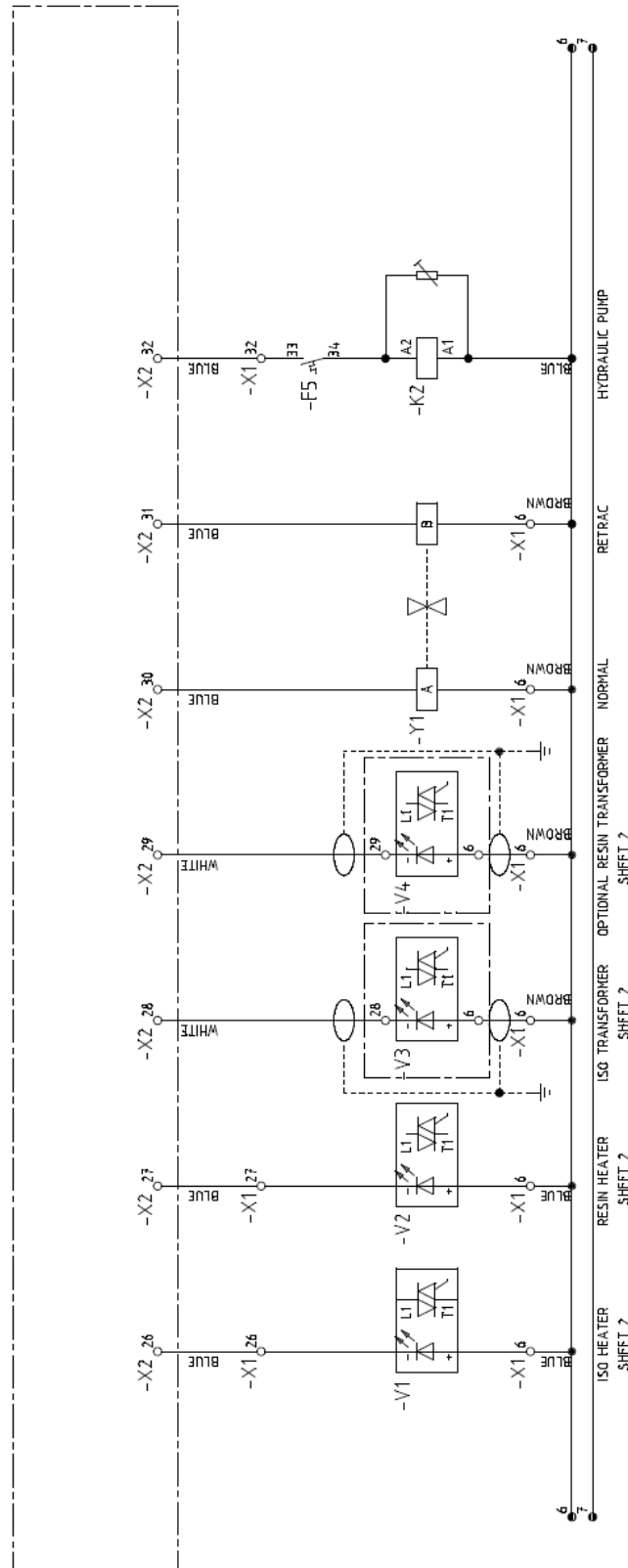


Figure 20. Electrical Schematic Diagram 3PE~400V 50/60Hz, Sheet 6 de 7

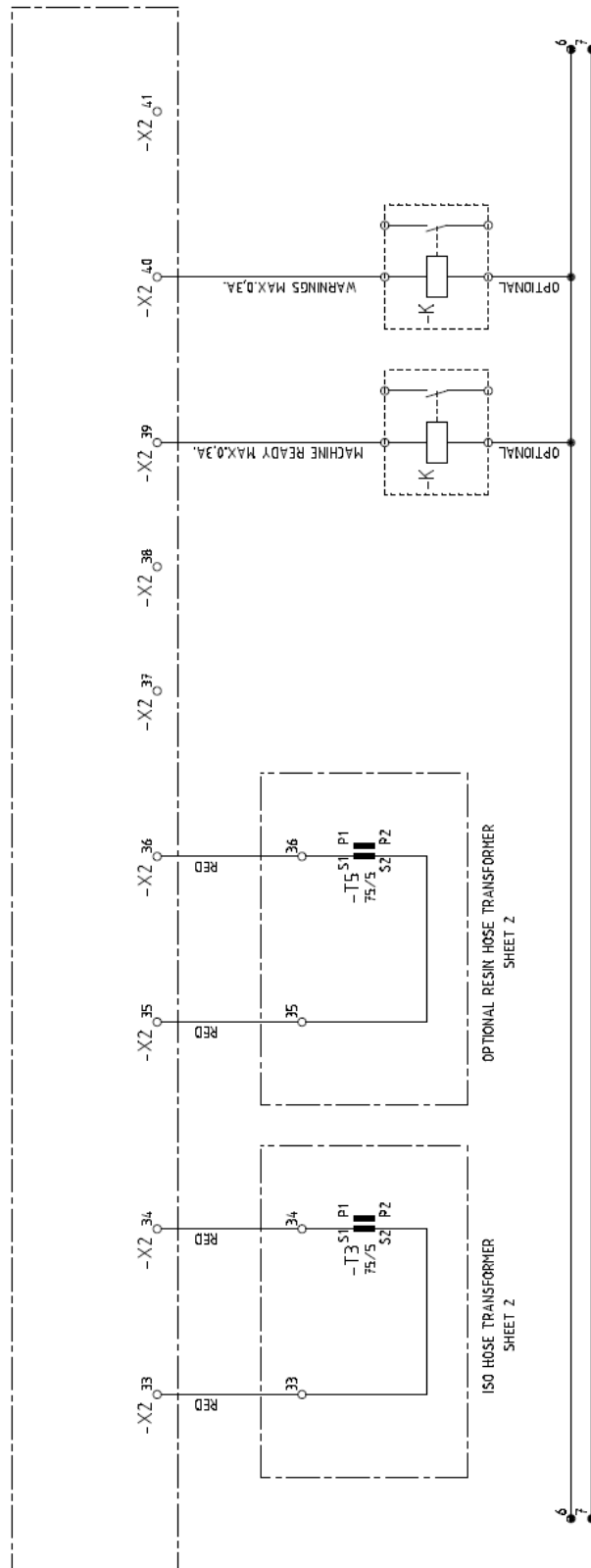


Figure 21. Electrical Schematic Diagram 3PE~400V 50/60Hz, Sheet 7 de 7

**Table 32. Electrical Schematic Diagram 3PE~400V 50/60Hz, Parts List**

| Ref. | Description | Part Number | Qty. |
|-------|-----------------------|-------------|------|
| F 10 | Fusible point | EL-00104-13 | 1 |
| F 10 | Fuse | EL-00128-03 | 2 |
| I 1 | Switch | EL-00107-07 | 1 |
| I 1 | Switch Command | EL-00107-06 | 1 |
| T 1 | Transformer | EL-00127-02 | 1 |
| D 1 | Differential Switch | EL-00108-04 | 1 |
| F 2,3 | Circuit Breaker | EL-00115-03 | 2 |
| F 4 | Circuit Breaker | EL-00113-04 | 1 |
| F 1 | Circuit Breaker | EL-00109-04 | 1 |
| F 5 | Circuit Breaker | EL-00119-05 | 1 |
| F 5 | Auxiliary Contactor | EL-00119-03 | 1 |
| T 3 | Intensity Transformer | EL-00127-03 | 1 |
| V 1,2 | Static Relay | EL-00126-03 | 2 |
| V 3 | Triac | EL-00126-02 | 1 |
| K 1 | Contactor | EL-00123-00 | 1 |
| K 2 | Contactor | EL-00121-00 | 1 |
| K 1,2 | Varistor | EL-00120-00 | 2 |
| | Resistance | EL-00129-01 | 1 |
| X 1 | Terminal Strip | EL-00105-06 | 1 |

Parts Manual

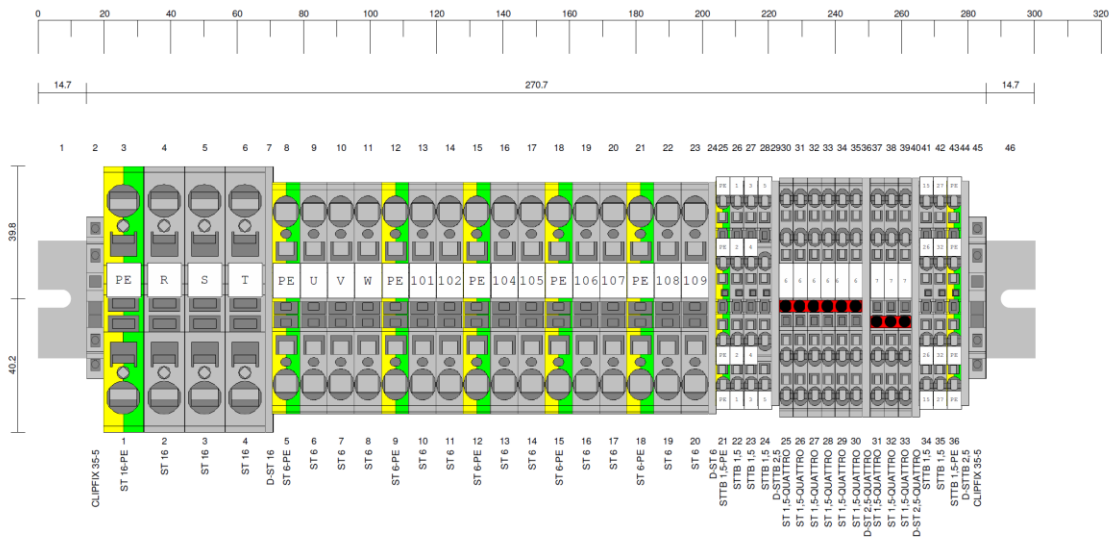


Figure 22. Distribution 3PE~400V 50/60Hz

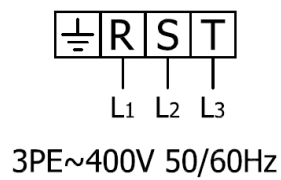


Figure 23. Connection 3PE~400V 50/60Hz

ELECTRICAL SCHEMATIC DIAG. 3PE~200V 50Hz

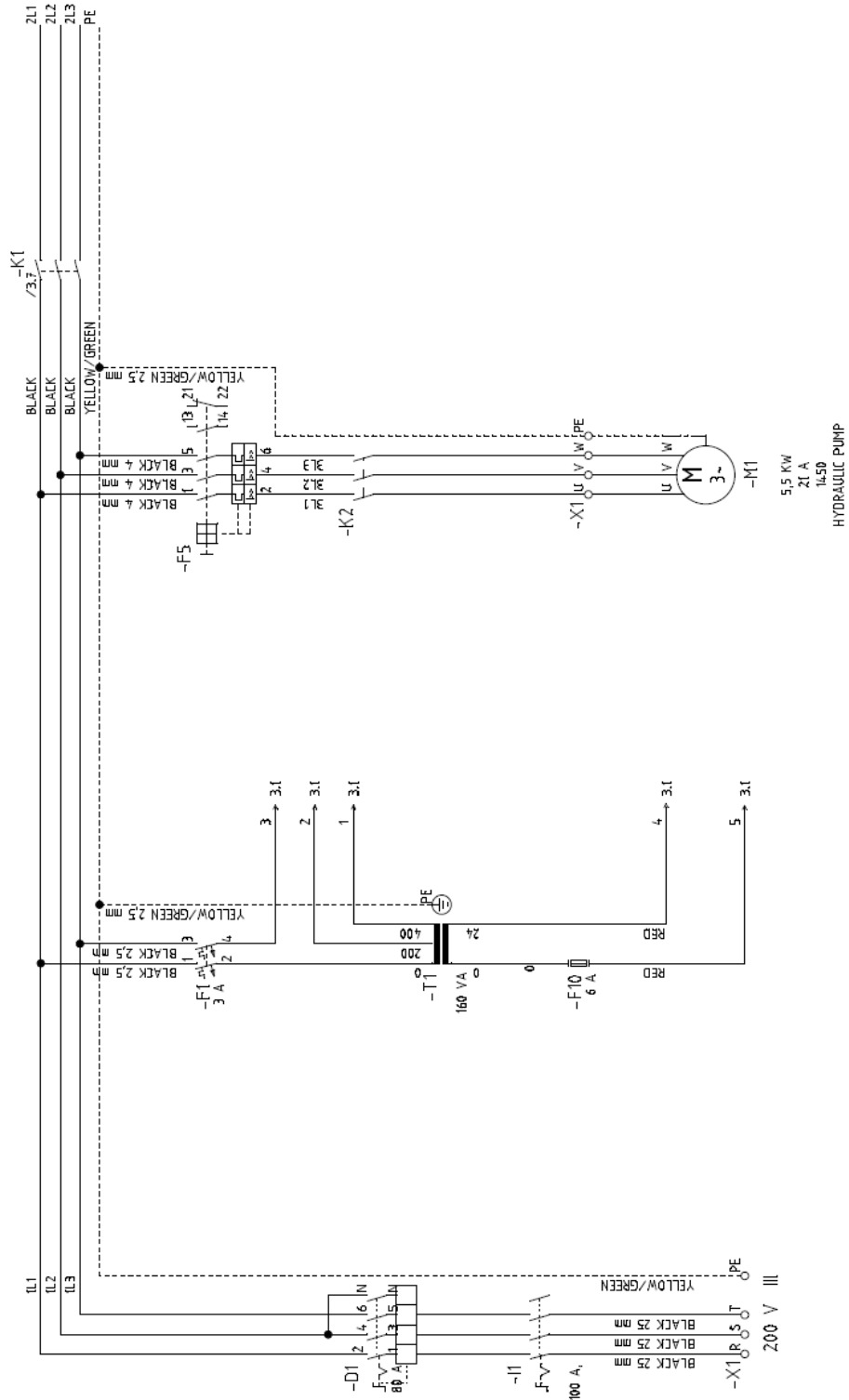


Figure 24. Electrical Schem. Diagram 3PE~ 200V 50Hz, Sheet 1 of 7



Parts Manual

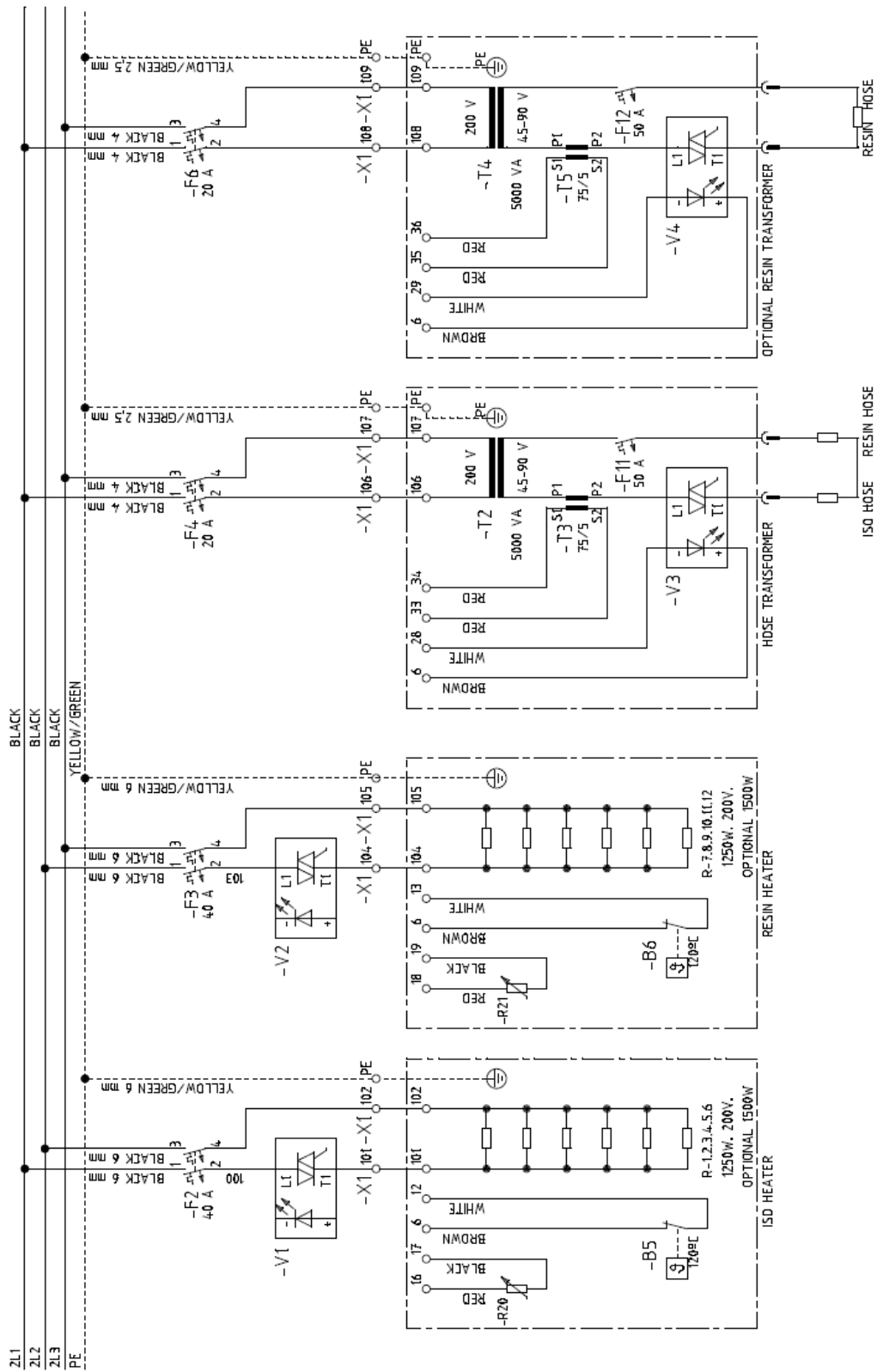


Figure 25. Electrical Schem. Diagram 3PE~ 200V 50Hz, Sheet 2 of 7

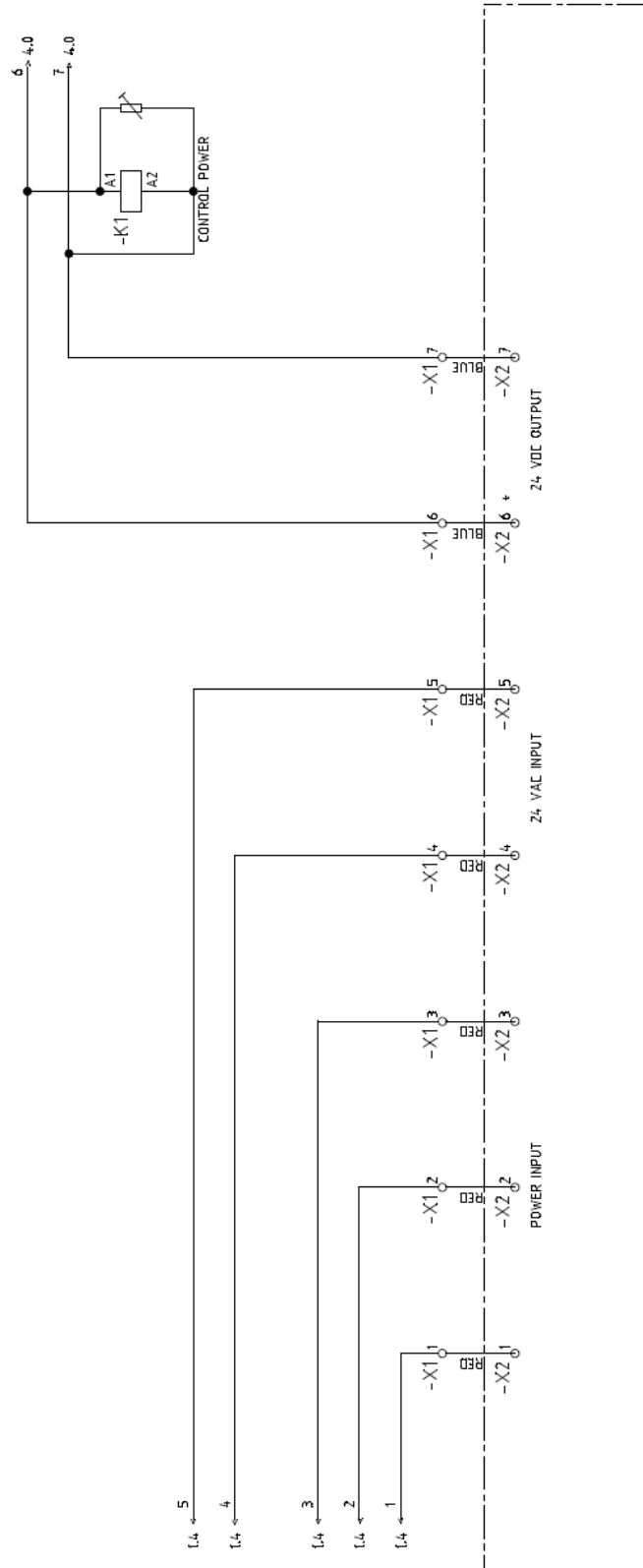


Figure 26. Electrical Schem. Diagram 3PE~ 200V 50Hz, Sheet 3 of 7

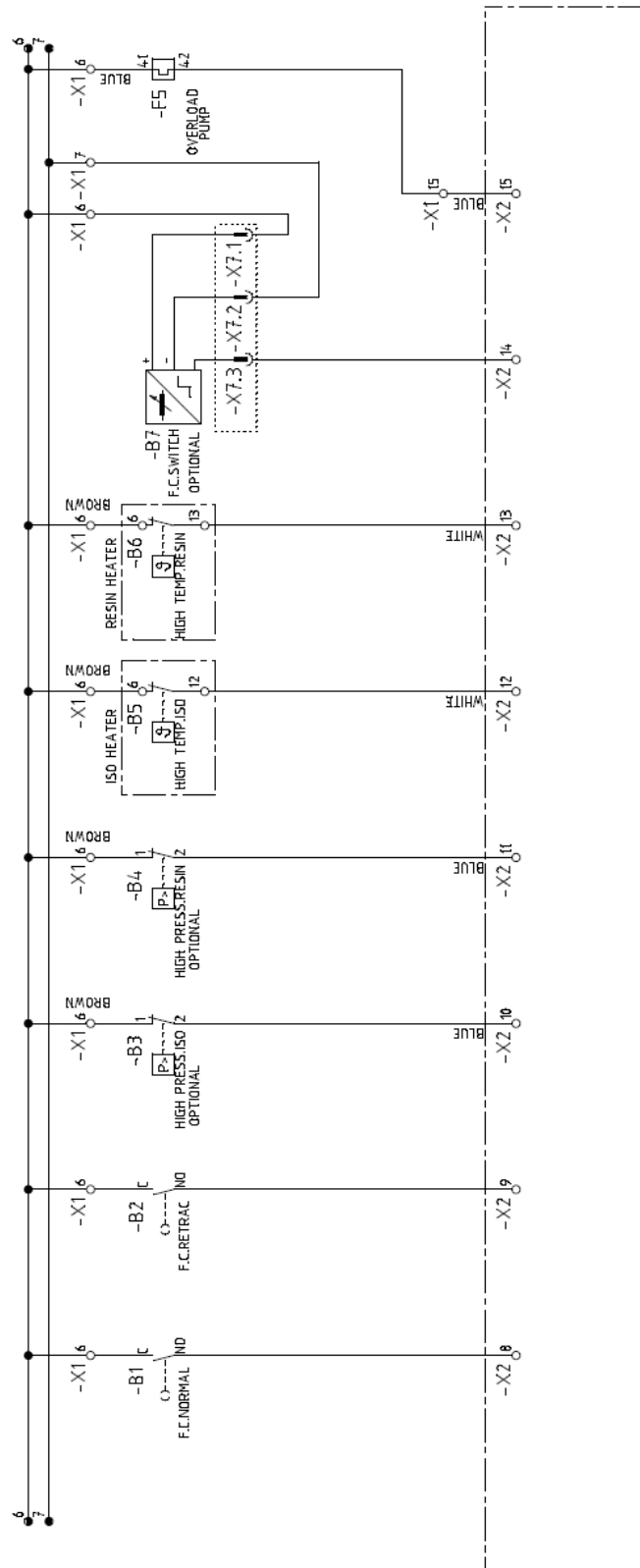


Figure 27. Electrical Schem. Diagram 3PE~ 200V 50Hz, Sheet 4 of 7

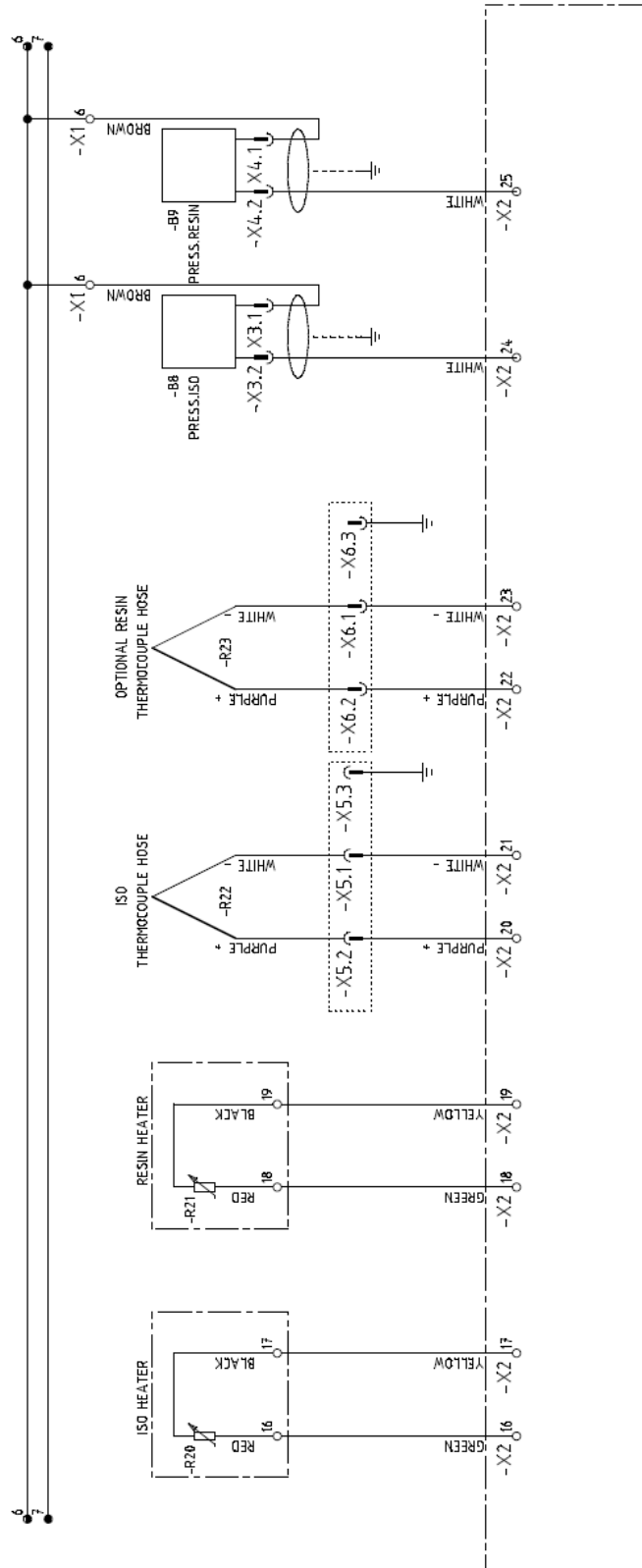


Figure 28. Electrical Schem. Diagram 3PE~ 200V 50Hz z, Sheet 5 of 7

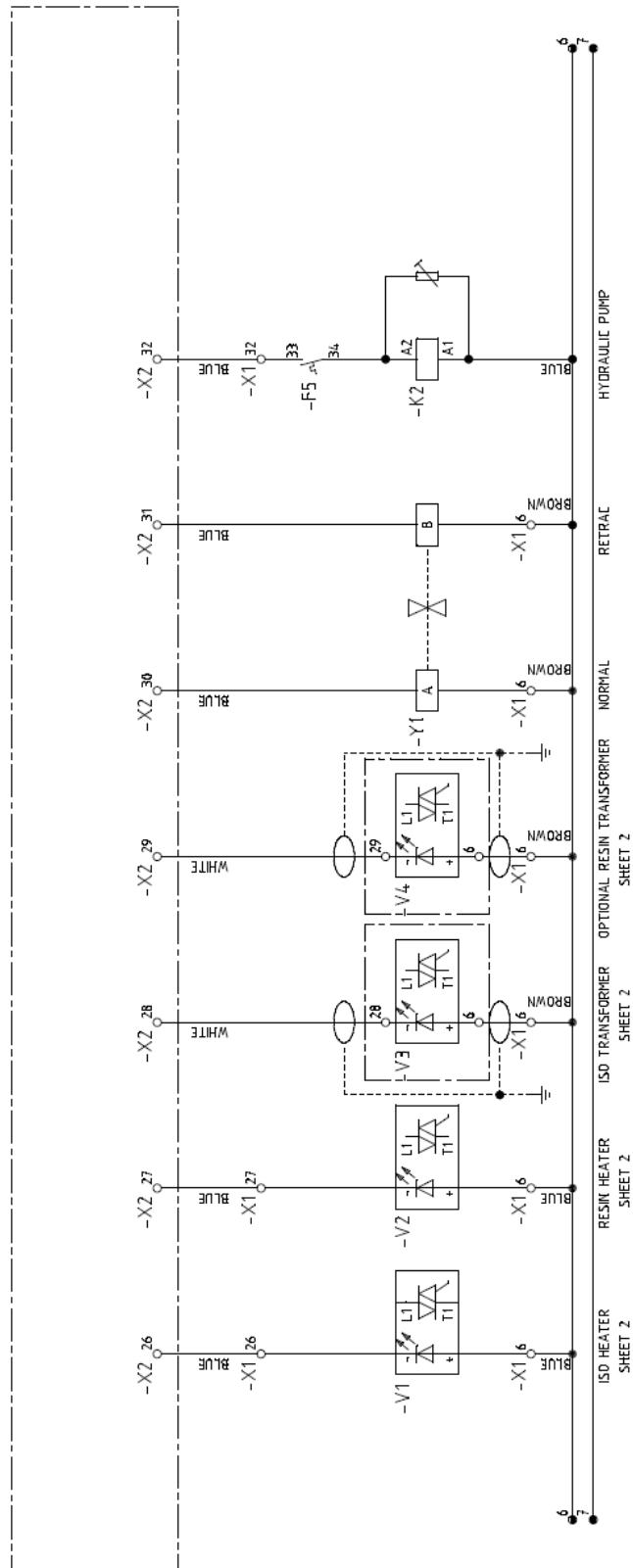


Figure 29. Electrical Schem. Diagram 3PE~ 200V 50Hz, Sheet 6 of 7

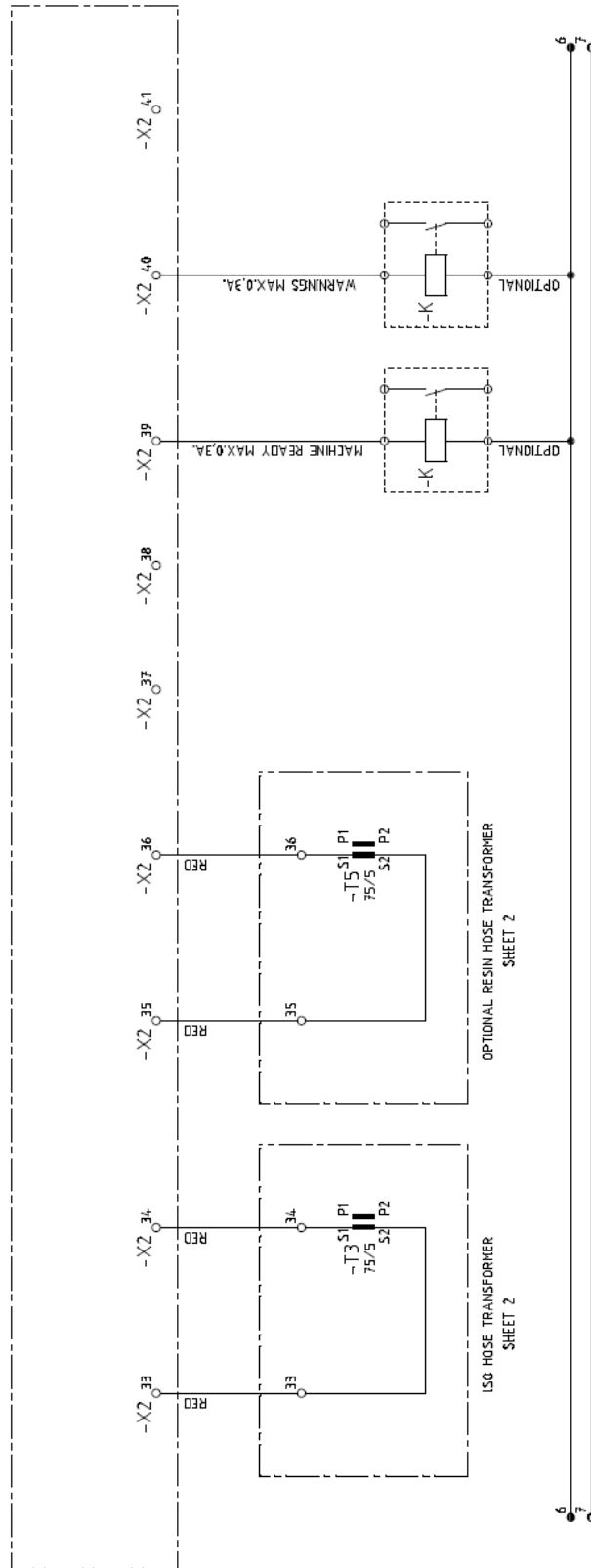


Figure 30. Electrical Schem. Diagram 3PE~ 200V 50Hz, Sheet 7 of 7



Table 33. Electrical Schematic Diagram 3PE~ 200V 50Hz, Parts List

| Item | Description | Part Number | Qty. |
|-------|-------------------------------|-------------|------|
| | BEIGE TERMINAL 35 mm | EL-00104-00 | 3 |
| | GROUND TERMINAL 35 mm | EL-00104-02 | 1 |
| | BEIGE TERMINAL 6 mm | EL-00104-06 | 9 |
| | GROUND TERMINAL 6 mm | EL-00104-08 | 4 |
| | TERMINAL BLOCK 2,5 mm | EL-00104-12 | 2 |
| | BEIGE TERMINAL 2,5 mm | EL-00104-09 | 4 |
| | GROUND TERMINAL 2,5 mm | EL-00104-11 | 2 |
| | UNION PLATE | EL-00104-14 | 2 |
| F 10 | FUSIBLE POINT | EL-00104-13 | 1 |
| F 10 | GLASS FUSE | EL-00128-03 | 2 |
| I 1 | SWITCH 100A | EL-00107-08 | 1 |
| I 1 | YELLOW/RED COMMAND | EL-00107-06 | 1 |
| D1 | DIFERENTIAL SWITCH 80A 0.03 | EL-00108-05 | 1 |
| T 1 | TRANSFORMER 200-400/24 160 VA | EL-00127-14 | 1 |
| F 2,3 | CIRCUIT BREAKER | EL-00116-04 | 2 |
| F 4 | CIRCUIT BREAKER | EL-00113-04 | 1 |
| F 1 | CIRCUIT BREAKER | EL-00109-04 | 1 |
| F 5 | CIRCUIT BREAKER 18-25 A | EL-00119-09 | 1 |
| F 5 | AUX. CONTACT | EL-00119-03 | 1 |
| T 3 | INTENSITY TRASNFORMER | EL-00127-03 | 1 |
| V 1,2 | STATIC RELAY | EL-00126-03 | 2 |
| V 3 | TRIAC | EL-00126-02 | 1 |
| K 1 | CONTACTOR 24 VDC | EL-00123-02 | 1 |
| K 2 | CONTACTOR 24 VDC | EL-00122-02 | 1 |
| X 5 | CONNECTOR | | 1 |
| X 5 | PINS | | 3 |
| | MALE CONNECTOR 3 pins | EL-00142-00 | 1 |
| | RUBBER CUP | | 1 |
| | INCLINATED SUPPORT FORR GUIDE | EL-00106-01 | 2 |
| X 1 | TERMINAL STRIP | | 1 |

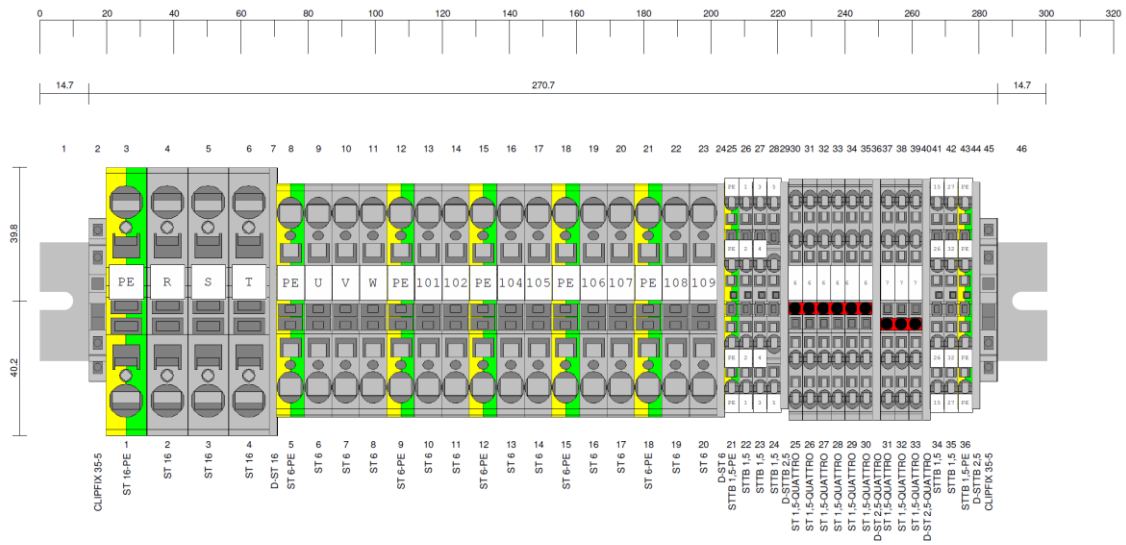


Figure 31. Distribution 3PE~200V 50Hz

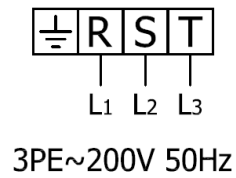


Figure 32. Connection 3PE~200V 50Hz



PNEUMATIC SCHEMATIC DIAGRAM

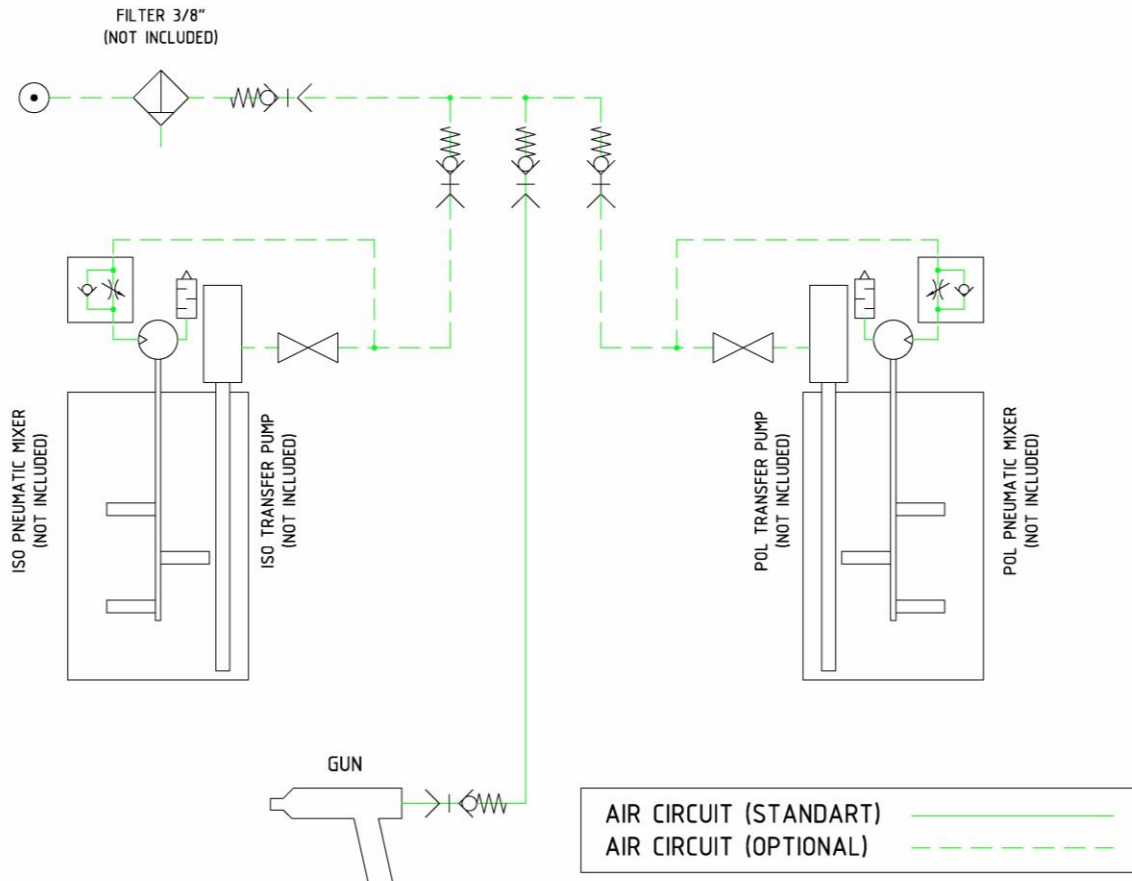


Figure 33. Pneumatic Schematic Diagram

HYDRAULIC SCHEMATIC DIAGRAM

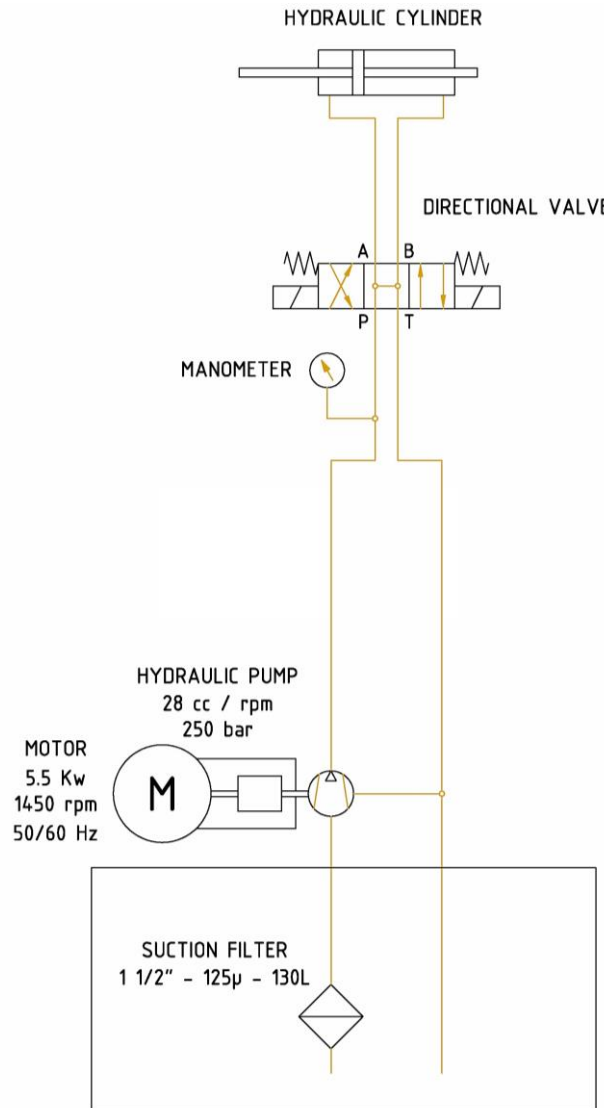


Figure 34. Hydraulic Schematic Diagram



TABLE OF CONTENTS

| | |
|---|----|
| Warranty | 2 |
| Safety and Handling | 3 |
| Proportioning Unit evolution G-50 H Model | 5 |
| Electrical Console | 8 |
| Hydraulic Manifold with 28 cc. Pump | 10 |
| Reversing Switch | 14 |
| Lube Reservoir Hose Assembly | 15 |
| Pump Line Assembly | 17 |
| Hydraulic Cylinder with Spacers | 20 |
| “A” Proportioning Pump Assembly | 22 |
| “R” Proportioning Pump Assembly | 25 |
| “A” Primary Heater | 28 |
| “R” Primary Heater | 31 |
| Recirculation Kit P#: KT-00038 | 34 |
| Recirculation Kit P#: KT-00038-01 | 35 |
| Recirculation Kit P# KT-00038-03 | 37 |
| Electrical Schematic Diag. 3pe~400v 50/60Hz | 39 |
| Electrical Schematic Diag. 3PE~200V 50Hz | 48 |
| Pneumatic Schematic Diagram | 57 |
| Hydraulic Schematic Diagram | 58 |
| Functioning Schematic Diagram | 59 |
| Table of Contents | 60 |
| List of Illustrations | 60 |
| List of Tables | 62 |

LIST OF ILLUSTRATIONS

| | |
|--|----|
| Figure 1. Proportioning Unit Evolution G-50 H Model | 5 |
| Figure 2. Electrical Console evolution G-50 H | 8 |
| Figure 3. Hydraulic Manifold with 28 cc. Pump, Exploded View | 10 |
| Figure 4. Reversing Switch Assy., Exploded View. | 14 |



Parts Manual

| | |
|--|----|
| Figure 5. Lube Reservoir Hose Assembly, Exploded View | 15 |
| Figure 6. Pump Line Assembly, Exploded View | 17 |
| Figure 7. Hydraulic Cylinder with Spacers, Exploded View | 20 |
| Figure 8. "A" Proportioning Pump Assembly, Exploded View | 22 |
| Figure 9. "R" Proportioning Pump Assembly, Exploded View | 25 |
| Figure 10. "A" Primary Heater, Exploded View | 28 |
| Figure 11. "R" Primary Heater, Exploded View | 31 |
| Figure 12. Recirculation Kit P#: KT-00038, Exploded View | 34 |
| Figure 13. Recirculation Kit P#:. KT-00038-01, Exploded View | 35 |
| Figure 14. Recirculation Kit P#:. KT-00038-03, Exploded View | 37 |
| Figure 15. Electrical Schematic Diagram 3PE~400V 50/60Hz, Sheet 1 de 7 | 39 |
| Figure 16. Electrical Schematic Diagram 3PE~400V 50/60Hz, Sheet 2 de 7 | 40 |
| Figure 17. Electrical Schematic Diagram 3PE~400V 50/60Hz, Sheet 3 de 7 | 41 |
| Figure 18. Electrical Schematic Diagram 3PE~400V 50/60Hz, Sheet 4 de 7 | 42 |
| Figure 19. Electrical Schematic Diagram 3PE~400V 50/60Hz, Sheet 5 de 7 | 43 |
| Figure 20. Electrical Schematic Diagram 3PE~400V 50/60Hz, Sheet 6 de 7 | 44 |
| Figure 21. Electrical Schematic Diagram 3PE~400V 50/60Hz, Sheet 7 de 7 | 45 |
| Figure 22. Distribution 3PE~400V 50/60Hz | 47 |
| Figure 23. Connection 3PE~400V 50/60Hz | 47 |
| Figure 24. Electrical Schem. Diagram 3PE~ 200V 50Hz, Sheet 1 of 7 | 48 |
| Figure 25. Electrical Schem. Diagram 3PE~ 200V 50Hz, Sheet 2 of 7 | 49 |
| Figure 26. Electrical Schem. Diagram 3PE~ 200V 50Hz, Sheet 3 of 7 | 50 |
| Figure 27. Electrical Schem. Diagram 3PE~ 200V 50Hz, Sheet 4 of 7 | 51 |
| Figure 28. Electrical Schem. Diagram 3PE~ 200V 50Hz z, Sheet 5 of 7 | 52 |
| Figure 29. Electrical Schem. Diagram 3PE~ 200V 50Hz, Sheet 6 of 7 | 53 |
| Figure 30. Electrical Schem. Diagram 3PE~ 200V 50Hz, Sheet 7 of 7 | 54 |
| Figure 31. Distribution 3PE~200V 50Hz | 56 |
| Figure 32. Connection 3PE~200V 50Hz | 56 |
| Figure 33. Pneumatic Schematic Diagram | 57 |
| Figure 34. Hydraulic Schematic Diagram | 58 |
| Figure 35. Functioning Schematic Diagram | 59 |



LIST OF TABLES

| | |
|---|----|
| Table 1. Proportioning Unit Evolution G-50 H Model, Parts List | 6 |
| Table 2. A-Primary Heater Reference List | 6 |
| Table 3. R-Primary Heater Reference List | 7 |
| Table 4. Electrical Console Reference List | 7 |
| Table 5. Hose Transformer Reference List | 7 |
| Table 6. Electrical Console, Parts List | 9 |
| Table 7. Bezel & Electric Circuit Assy., Parts List | 9 |
| Table 8. Hydraulic Manifold with 28 cc. Pump, Parts List | 11 |
| Table 9. Specific Hydraulic Components, Parts List | 13 |
| Table 10. Coupler Assembly as Pump, Part List | 13 |
| Table 11. Bell Housing as Pump & Motor type, Parts List | 13 |
| Table 12. Reversing Switch Assy., Parts List | 14 |
| Table 13. Lube Reservoir Hose Assembly, Parts List | 16 |
| Table 14. Pump Line Assembly, Parts List | 18 |
| Table 15. Proportioning Pump Size, Parts | 19 |
| Table 16. Hydraulic Cylinder with Spacers, Parts List | 21 |
| Table 17. "A" Proportioning Pump Assembly, Parts List | 23 |
| Table 18. "A" Proportioning Pump Assembly, Parts List | 24 |
| Table 19. Seals Monobloc "A" Pump | 24 |
| Table 20. Repair Seal Kit "A" Pump | 24 |
| Table 21. "R" Proportioning Pump Assembly, Parts List | 26 |
| Table 22. "R" Proportioning Pump Assembly, Parts List | 27 |
| Table 23. Seals Monobloc "R" Pump | 27 |
| Table 24. Repair Seal Kit "R" Pump | 27 |
| Table 25. "A" Primary Heater, Parts List | 29 |
| Table 26. Parts List for each model of "A" Heater | 30 |
| Table 27. "R" Primary Heater, Parts List | 32 |
| Table 28. Parts List for each model of "R" Heater | 33 |
| Table 29. Recirculation Kit #KT-00038, Parts List | 34 |
| Table 30. Recirculation Kit #KT-00038-01, Parts List | 36 |
| Table 31. Recirculation Kit #KT-00038-03, Parts List | 38 |
| Table 32. Electrical Schematic Diagram 3PE~400V 50/60Hz, Parts List | 46 |
| Table 33. Electrical Schematic Diagram 3PE~ 200V 50Hz, Parts List | 55 |