

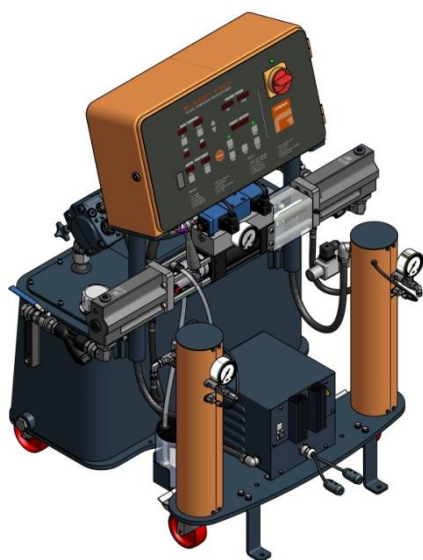


Parts Manual

Proportioning Unit

evolution G-35 H

Issue 2.0 20/01/2022
Ref. NR-00102-ENG



Before installing the unit and starting it up, carefully read all the technical and safety documentation included in this manual. Pay special attention to the information to know and understand the handling and the conditions of use of the unit. All of the information is aimed at enhancing User Safety and avoiding possible breakdowns derived from the incorrect use of the unit.



WARRANTY

HI-TECH SPRAY EQUIPMENT, S. A. (hereinafter "HI-TECH") grants this Limited Guarantee to the original buyer (hereinafter the "Client") for the unit and the original accessories given with the unit (hereinafter the "Product") against any fault in the design, materials or manufacture of the Product at the time of the first purchase by the user and for a duration of two (2) years thereafter.

If during the guarantee period and under normal conditions of use, the Product should fail to work correctly due to defects of design, material or manufacture, the authorised distributor of the country where the HI-TECH Product or technical assistance service has been purchased shall repair or replace the Product in accordance with what is established in the following:

CONDITIONS

- a) The validity of this guarantee will be subject to the presentation of the original invoice issued by the HI-TECH authorised distributor for the sale of the Product along with the Product handed over for repair or replacement, which must show the date of purchase and the serial number. HI-TECH reserves the right to refuse to give the guarantee service when the indicated data fail to appear on the invoice or have been modified after the purchase of the Product.
- b) The repaired or replaced Product will continue to maintain the original guarantee for the time remaining until the end of the guarantee or for three (3) months from the repair date, if the remaining period of the original guarantee were shorter.
- c) This guarantee will not be applied to the faults in the Product caused by its faulty installation, the natural wear and tear of the components, any use other than that considered normal for this Product or which should fail to strictly comply with the instructions of use provided by HI-TECH; due to accident, carelessness, adjustments, alterations or modifications of the Product not authorised by HI-TECH or due to the use of accessories, heating devices, pumping equipment and/or dispensers that have not been approved or manufactured by HI-TECH.
- d) The guarantee applicable to the components and accessories forming part of the Product and which have not been made by HI-TECH will be limited to the guarantee offered by the original manufacturer thereof.

HI-TECH WILL NOT RECOGNISE ANY EXPRESS ORAL OR WRITTEN GUARANTEES OTHER THAN THIS PRINTED LIMITED GUARANTEE. ALL IMPLICIT GUARANTEES, INCLUDING, WITHOUT LIMIT, ADAPTATION FOR A SPECIFIC USE, ARE SUBJECT TO THE DURATION OF THIS WRITTEN GUARANTEE. HI-TECH DOES NOT ASSUME ANY KIND OF COMMITMENT OR RESPONSIBILITY FOR ALL POSSIBLE DAMAGE OR EXPENSE CAUSED BY FAULTS IN THE OUTPUT OF THE PRODUCT, ITS WORKING OR THE DISPENSING OF MATERIAL THROUGH THE PRODUCT, INCLUDING, WITHOUT LIMITATION, ALL EXPENSES CAUSED BY DAMAGE TO PEOPLE OR PROPERTY. EQUALLY, HI-TECH WILL IN NO CASE ACCEPT LIABILITY FOR THE LOSS OF SPECULATIVE PROFITS OR COMMERCIAL LOSSES. ALL REPAIRS OR REPLACEMENT OF FAULTY PRODUCTS WILL CONSTITUTE THE COMPREHENSIVE FULFILMENT OF HI-TECH'S OBLIGATIONS WITH RESPECT TO THE CLIENT. HI-TECH DOES NOT IN ANY WAY GUARANTEE THE SUITABILITY OR APTITUDE OF ITS PRODUCT FOR ANY PARTICULAR PURPOSE OR APPLICATION.

All information provided on components which have not been manufactured by HI-TECH and which is based on reports received from the original manufacturer, though considered precise and reliable, is provided without any guarantee or responsibility of any explicit or implicit kind.

All concession, sale or financial leasing of the Product by HI-TECH in no case explicitly or implicitly constitutes any authorisation, acceptance or concession for the use of any rights or patents, nor does it encourage, nurture or back their infringement.

The restrictions on the guarantee suppose no limitation on the legal rights of the consumer established in applicable national legislation, nor do they affect any rights derived from the bargain and sale agreement between the consumer and supplier.



All information provided in this manual has been included in the confidence that it is true, although it does not constitute any responsibility or implicit or explicit guarantee. HI-TECH reserves the right at any time and without prior warning to make all improvements and modifications necessary to this manual, in order to rectify any possible typographical errors, increase the information contained or insert the changes caused to the characteristics and performance of the unit.

SAFETY AND HANDLING

The equipment described in this manual has been designed and manufactured in compliance with the following European Directives, following as application guide the harmonized standards detailed and in conformity with the relevant UK Statutory Instruments (and their amendments):



Directive 2006/42/EC on machinery (UK Supply of Machinery (Safety) Regulations 2008)

UNE EN 12100:2012 (BS EN ISO 12100:2010)

Directive 2014/30/EU on electromagnetic compatibility (UK Electromagnetic Compatibility Regulations 2016) (*)

UNE EN 55011 (BS UNE EN 55011)

UNE EN 55016-2-1 (BS UNE EN 55016-2-1); UNE EN 55016-2-3 (BS UNE EN 55016-2-3); UNE EN 55032 (BS UNE EN 55032)

UNE EN 61000-3-2 (BS UNE EN 61000-3-2); UNE EN 61000-3-3 (BS UNE EN 61000-3-3); UNE EN 61000-4-2 (BS UNE EN 61000-4-2); UNE EN 61000-4-3 (BS UNE EN 61000-4-3); UNE EN 61000-4-4 (BS UNE EN 61000-4-4); UNE EN 61000-4-5 (BS UNE EN 61000-4-5); UNE EN 61000-4-6 (BS UNE EN 61000-4-6); UNE EN 61000-4-8 (BS UNE EN 61000-4-8); UNE EN 61000-4-11 (BS UNE EN 61000-4-11)

() The Unit may experience a degradation of its immunity in the presence of radiated electromagnetic disturbances (IEC 61000-4-3) in the frequency range between 80MHz and 700MHz under an electric field level of 10 V / m, resulting in a temporary loss of function, self-recoverable, according to performance criterion C of the Standard.*

Directive 2014/68/EU on pressure equipment (UK Pressure Equipment (Safety) Regulations 2016)

UNE EN 809:1999 +A1 (BS EN 809:1998 +A1:2009)

Directive 2014/35/EU on electrical safety (UK Electrical Equipment (Safety) Regulations 2016)

UNE EN 60204-1:2019 (BS EN 60204-1:2018)

Directive 2003/10/EC on noise level (UK The Control of Noise at Work Regulations 2005)

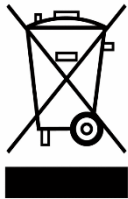
UNE EN ISO 3740 (BS EN ISO 3740:2019)

UNE EN ISO 3746 (BS EN ISO 3746:2010)



Directive 2011/65/EU on the restriction of the use of certain hazardous substances in electrical and electronic equipment with amendment 2015/863/EU (UK The Restriction of the Use of Certain Hazardous Substances in Electrical and Electronic Equipment Regulations 2012)

Directive 2012/19/EU on waste electrical and electronic equipment (UK The Waste Electrical and Electronic Equipment Regulations 2013)



Electrical products cannot be thrown out with the rubbish. They must be taken to a dedicated collection point for an environmentally sound disposal in accordance with local regulations. You must contact your local collective or retailer for information about recycling. Before leaving WEEE at appropriate collection facilities, batteries must be removed and disposed of separately for proper recycling. The packaging materials are recyclable. Dispose of packaging materials in an environmentally sound manner and place them at the disposal of recycling sectors.

TRANSPORT AND STORAGE

Proper precautions must be taken so that the equipment can withstand the effects of transport and storage temperatures between -25°C and $+55^{\circ}\text{C}$ or up to $+70^{\circ}\text{C}$ for short periods that do not exceed 24 hours. Also, appropriate means to prevent damage from moisture, vibrations or shocks must be foreseen.



PROPORTIONING UNIT evolution G-35 H MODEL

RECIRCULATION KIT
(OPTIONAL)

TCS CONNECTOR
DETAIL

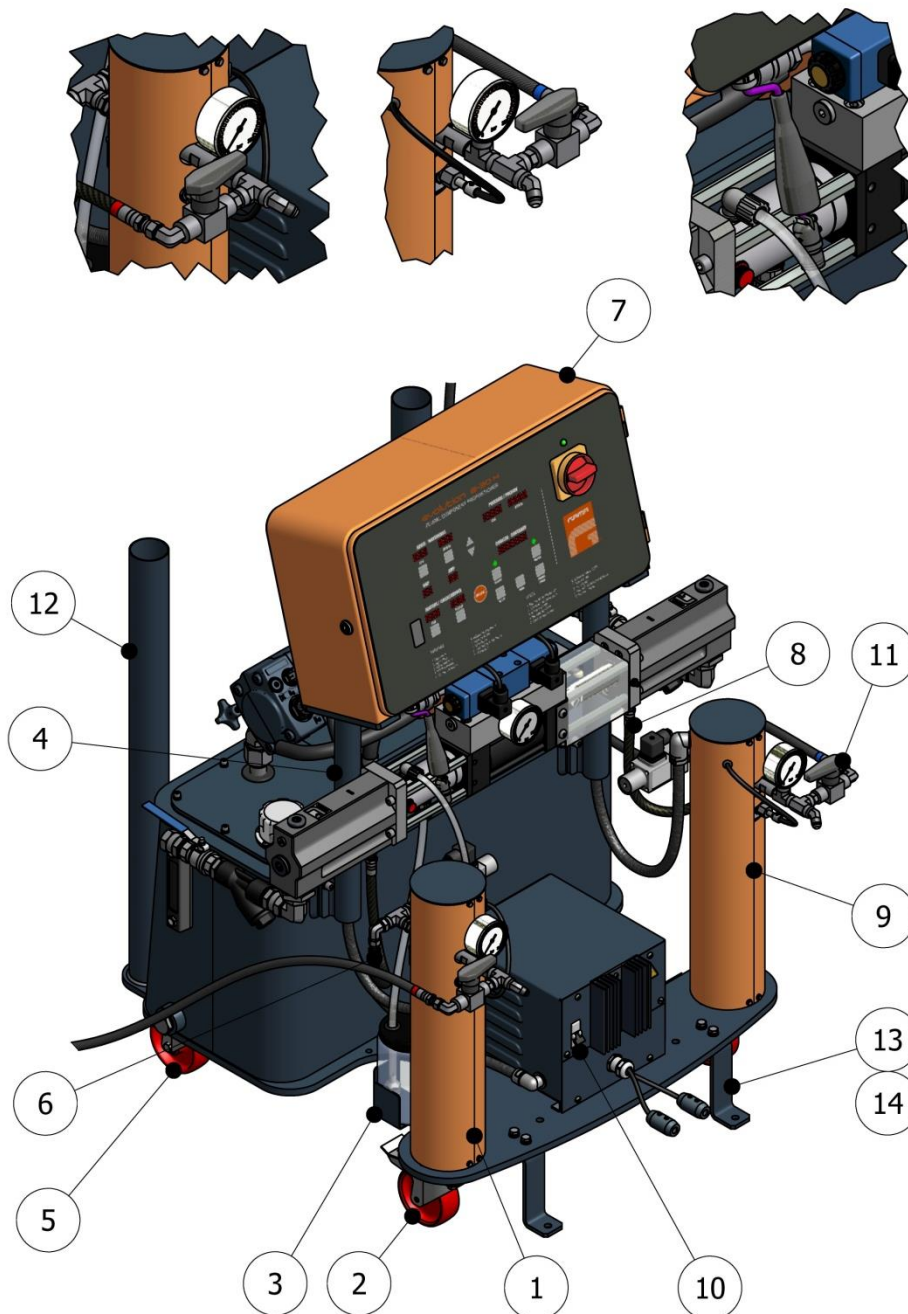


Figure 1. Proportioning Unit evolution G-35 H Model

**Table 1. Proportioning Unit Evolution G-35 H Model, Parts List**

Ref.	Description	Part Number	Qty.
1	A Primary Heater	See Table 3	1
2	Front Wheel With Brake	MQ-01002	2
3	Lube Reservoir Bracket	MQ-01008	1
4	Electrical Console Support and Pump Line	MQ-01004-06	1
5	Back Wheel	MQ-01016	2
6	A Pump/Heater Hose Assy.	MA-00120	2
7	Electrical Console Assy.	See Table 5	1
8	R Pump/Heater Hose Assy.	MA-00120	1
9	R Primary Heater	See Table 4	1
10	Hose Transformer	See Table 2	1
11	Recirculation KIT	KT-00038	1
12	Transfer Pump Bracket	MQ-01015-00	2
13	“Z” Bracket without Transfer Pump Bracket (optional)	MQ-01017	2
14	“Z” Bracket with Transfer Pump Bracket (optional)	MQ-02014	2

Table 2. Hose Transformer Reference List

Reference	Description
EL-00127-20	Hose Transformer 3PE~400V Version
EL-00127-06	Hose Transformer 3PE~230V Version



Table 3. A-Primary Heater Reference List

Reference		Description
CLH-03001-00G	400 V	A Primary Heater 6000 w for 200 bar (standard)
CLH-03001-00GT		A Primary Heater 6000 w with Transducer for 200 bar (optional)
CLH-03001-00IT		A Primary Heater 5000 w with Transducer for 200 bar (optional)
CLH-03001-00H		A Primary Heater 6000 w for 300 bar (optional)
CLH-03001-00HT		A Primary Heater 6000 w with Transducer for 300 bar (optional)
CLH-03001-00B	230 V	A Primary Heater 6000 w for 200 bar (standard)
CLH-03001-00BT		A Primary Heater 6000 w with Transducer for 200 bar (optional)
CLH-03001-00D		A Primary Heater 6000 w for 300 bar (optional)
CLH-03001-00DT		A Primary Heater 6000 w with Transducer for 300 bar (optional)

Table 4. R-Primary Heater Reference List

Reference		Description
CLH-03002-00G	400 V	R Primary Heater 6000 w for 200 bar (standard)
CLH-03002-00GT		R Primary Heater 6000 w with Transducer for 200 bar (optional)
CLH-03002-00IT		R Primary Heater 5000 w with Transducer for 200 bar (optional)
CLH-03002-00H		R Primary Heater 6000 w for 300 bar (optional)
CLH-03002-00HT		R Primary Heater 6000 w with Transducer for 300 bar (optional)
CLH-03002-00B	230 V	R Primary Heater 6000 w for 200 bar (standard)
CLH-03002-00BT		R Primary Heater 6000 w with Transducer for 200 bar (optional)
CLH-03002-00D		R Primary Heater 6000 w for 300 bar (optional)
CLH-03002-00DT		R Primary Heater 6000 w with Transducer for 300 bar (optional)



Table 5. Electrical Console Reference List

Reference	Description
EL-00059-10	Electrical Console Assy. (3PE~400V, with III phases Motor & without Logger) Standard Version.
EL-00059-11	Electrical Console Assy. (3PE~400V, with III phases Motor & Logger) Optional Version.
EL-00059-14	Electrical Console Assy. (3PE~230V, with III phases Motor & without Logger) Standard Version..
EL-00059-13	Electrical Console Assy. (3PE~230V, with III phases Motor & Logger) Optional Version.



ELECTRICAL CONSOLE

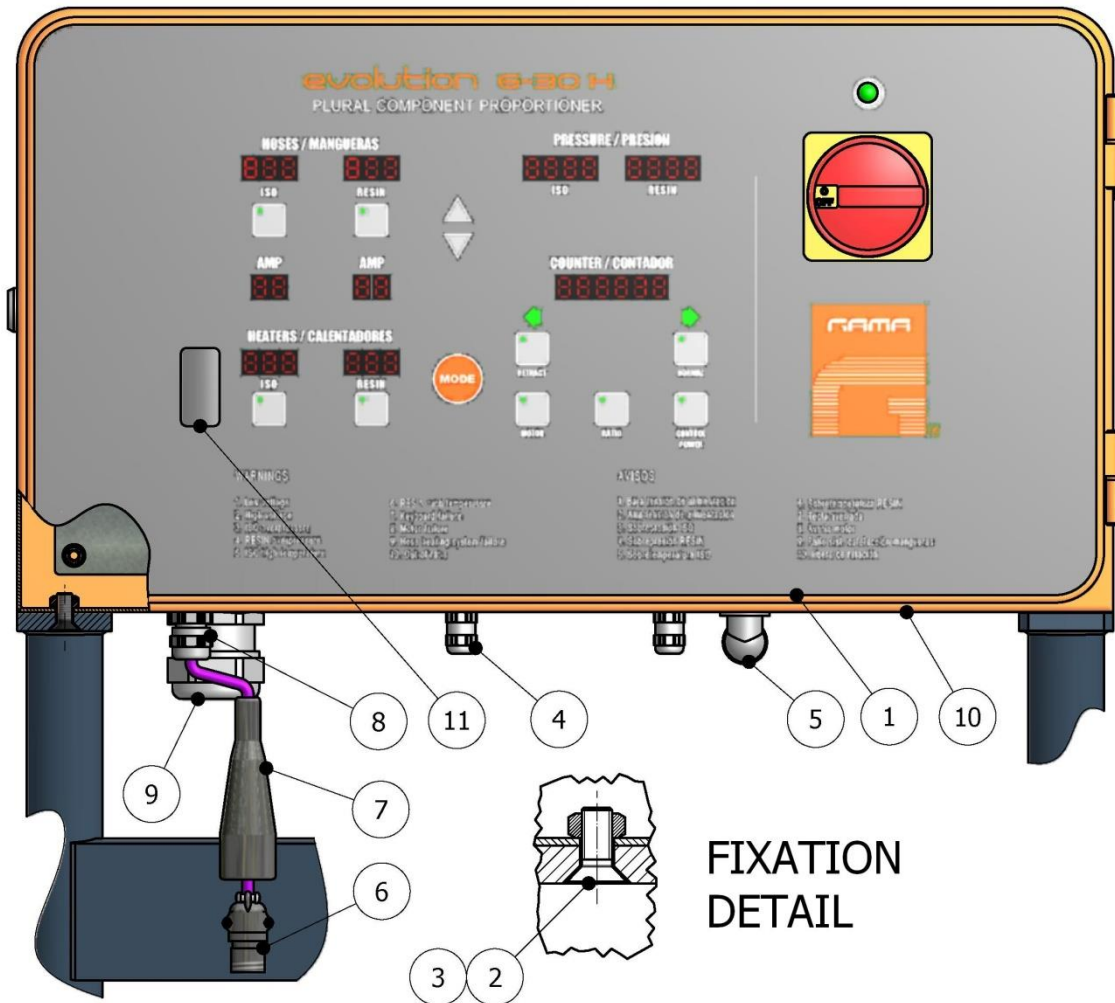


Figure 2. Electrical Console evolution G-35 H



Table 6. Electrical Console evolution G-35 H Model, Parts List

Ref.	Description	Part Number	Qty.
1	Bezel & Electronic Circuit	See Table 7	1
2	Screw	TN-00233	4
3	Conical Washer	TN-00296	4
4	Directional Valve Connector	EL-00088-00	2
5	Motor Conduit Connector	EL-00087-01	1
6	Connector Sensor Male	EL-00096-19	1
7	Connector Sensor Cover	EL-00096-21	1
8	TCS Conduit Connector	EL-00088-05	1
9	Cable Connector	EL-00088-04	1
10	Electrical Console	EL-00193	1
11	Cover Plug, included in Ref. 1 (standard)	See Table 7	1
12 (*)	USB Port, Included in Ref. 1 (optional)	See Table 7	1
13 (*)	USB Memory 4 GB, included in Ref. 1 (optional)	See Table 7	1

Notes: (*) Parts not show in draw.

Table 7. Bezel Components Assembly

	3PE~400V 50/60 Hz Without Logger (standard)	3PE~230V 60 Hz Without Logger (standard)	3PE~400V 50/60 Hz With Logger (optional)	3PE~230V 60 Hz With Logger (optional)
Bezel 1x	EL-00260		EL-00260	
Circuit 1x	EL-00019-07		EL-00019-07	
Switch 1x	EL-00107-07	EL-00107-08	EL-00107-07	EL-00107-08
Command Switch 1x	EL-00107-06		EL-00107-06	
Divider 9x	EL-00019-03		EL-00019-03	
Cover Plug 1x	EL-00190		-	
USB Port 1x	-		EL-00078-04	
USB Memory 1x	-		EL-00078-05	

**HYDRAULIC MANIFOLD WITH 4k WMOTOR
3PE~400V/230V 50/60Hz (18cc hyd. Pump)**

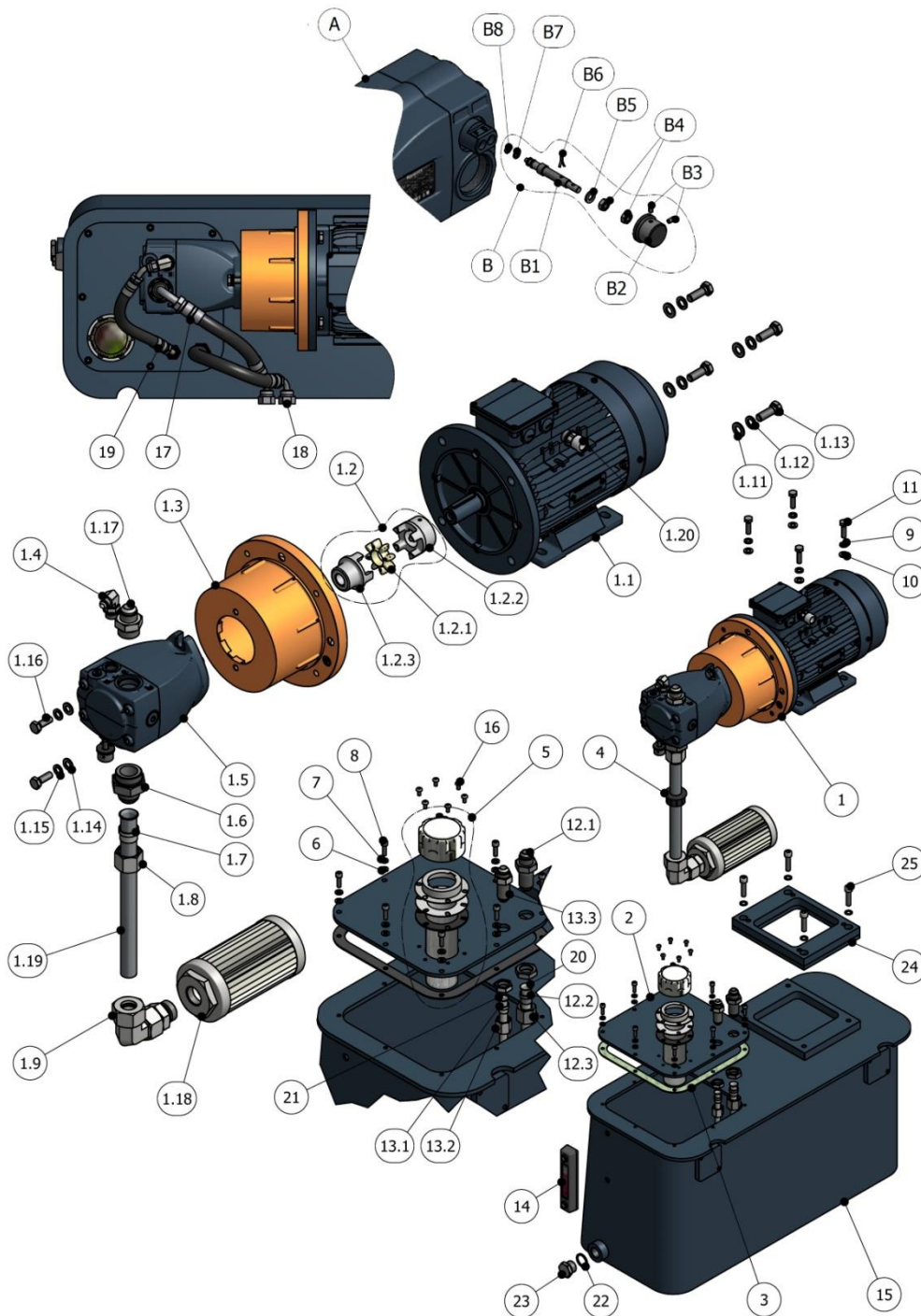


Figure 3. Hydraulic Manifold 3PE~400V/230V 50/60Hz, 4kW Motor (with 18cc Pump), Exploded View



Table 8. Hydraulic Manifold with 4kW Motor 3PE~400V/230V 50/60Hz (with 18cc Pump), Parts List

Ref.	Description	Part Number	Qty.
1	Motor/Pump Line Assembly	HI-00040-03	1
1.1	Electric Motor 4Kw 50/60Hz	EL-00138-04	1
1.2	Coupler Assembly (18 cc)	HI-00046-00	1
1.2.1	Alignment Spider (18 cc)	HI-00006-01	1
1.2.2	Motor Shaft Coupling (18 cc)	HI-00006-02	1
1.2.3	Pump Shaft Coupling (18 cc)	HI-00046-01	1
1.3	Bell Housing for 18 cc Pump	HI-00082	1
1.4	Hose Elbow (18 cc)	RA-00499	1
1.5	HYD Pump Assembly 18 cc. (with regulator)	HI-00190-G30H	1
A	18cc BR Pump	HI-00190	1 (°)
B	18cc BR Pump Regulator	HI-00149-00	1 (°)
B1	18cc BR Pump Rod	HI-00149-01	1 (@)
B2	18cc BR Pump Handle	GU-02007	1 (@)
B3	18cc BR Pump Screw	TN-00099	2 (@)
B4	18cc BR Pump Nut	TN-00108	2 (@)
B5	18cc BR Pump Washer	TN-00024	1 (@)
B6	18cc BR Pump Pin	TN-00077	1 (@)
B7	18cc BR Pump Anti Extrusion Ring	OR-	1 (*)
B8	18cc BR Pump O-Ring	OR-	1 (*)
1.6	Male Adapter for 18 cc. Pump	RA-00535	1
1.7	Ferrule for 18 cc. Pump	RA-00457	1
1.8	Nut for 18 cc. Pump	RA-00456	1
1.9	Street Elbow for 18 cc. Pump	RA-00455	1
1.10			
1.11	Washer	TN-00040	4
1.12	Lock Washer	TN-00039	4
1.13	Socket Head Cap Screw	TN-00053	4
1.14	Washer (18 cc)	TN-00162	2

(*) Parts included in Ref. A. (@) Parts included in Ref. B

(°) Parts included in Ref. 1.5



Ref.	Description	Part Number	Qty.
1.15	Lock Washer for 18 cc Pump	TN-00087	2
1.16	Socket Head Cap Screw for 18 cc Pump	TN-00129	2
1.17	Male Adapter for 18 cc Pump	RA-00500	1
1.18	Cartridge Strainer for 18 cc Pump	HI-00050	1
1.19	Suction Tube for 18 cc Pump	HI-00143	1
1.20	Motor Conduit Connector	EL-00087-00	1
2	Reservoir Cover Plate for 18 cc. Pump	HI-00189-00	1
3	Reservoir Cover Plate Gasket	HI-00014-03	1
4	Rubber Grommet for 18 cc Pump	HI-00140	1
5	HYD-Oil Filler	HI-00002	1
6	Washer	TN-00024	8
7	Washer	TN-00025	8
8	Socket Head Cap Screw	TN-00026	8
9	Lock washer	TN-00087	4
10	Washer	TN-00162	4
11	Hex Head Cap Screw (for 18 cc Pump)	TN-00445	4
12	Adapters Bulkhead Union	RA-00059	1
12.1	Adapters Bulkhead Union	RA-00170	1
12.2	Ferule	RA-00169	1
12.3	Nut	RA-00171	1
13	Adapters Bulkhead Union	RA-00060	1
13.1	Ferule	RA-00173	1
13.2	Nut	RA-00174	1
13.3	Adapters Bulkhead Union	RA-00172	1



Ref.	Description	Part Number	Qty.
14	Thermometer and Fluid Level Gauge	HI-00001	1
15	Oil Tank	HI-00037-01	1
16	ULS Screw	TN-00166	6
17	P-Port Hose (for 18 cc Pump)	HI-00145	1
18	T-Port Hose	HI-00024	1
19	Drain Hose (for hyd. Pump 18 cc)	HI-00053-01	1
20	Return Tube	HI-00051	1
21	Return Tube	HI-00010	1
22	O-Ring	OR-00082	1
23	Plug	RA-00022	1
24	Plate Motor (for 18 cc Pump)	HI-00141-00	1



Table 9. Hydraulic Manifold with 4kW Motor 3PE~400V/230V 50/60Hz (with 20cc Pump), Parts List

Ref.	Description	Part Number	Qty.
1	Motor/Pump Line Assembly	HI-00040-03	1
1.1	Electric Motor 4Kw 50/60Hz	EL-00138-04	1
1.2	Coupler Assembly (20 cc)	HI-00006-00	1
1.2.1	Alignment Spider (20 cc)	HI-00006-01	1
1.2.2	Motor Shaft Coupling (20 cc)	HI-00006-02	1
1.2.3	Pump Shaft Coupling (20 cc)	HI-00006-03	1
1.3	Bell Housing for 20 cc Pump	HI-00005	1
1.4	Hose Elbow (20 cc)	RA-00058	1
1.5	HYD Pump Assembly 20 cc. (with regulator)	HI-00038-G35H	1
A	20cc VK Pump	HI-00038	1 (°)
B	20cc VK Pump Regulator	HI-00044-00	1 (°)
B1	20cc VK Pump Command Rod	HI-00042	1 (@)
	20cc VK Pump O-Ring	OR-00025	1 (*)
B2	20cc VK Pump Command Nut	HI-00043	1 (@)
B3	20cc VK Pump Handle	HI-00044	1 (@)
B4	20cc VK Pump Pin	TN-00042	1 (@)
B5	20cc VK Pump Lock Nut	TN-00105	1 (@)
B6	20cc VK Pump Washer	TN-00162	1 (@)
1.6	Street Elbow for 20 cc. Pump	RA-00027	1
1.7	Ferrule for 20 cc. Pump	RA-00029	1
1.8	Nut for 20 cc. Pump	RA-00028	1
1.9	Street Elbow for 20 cc. Pump	RA-00030	1
1.10	Thread Reducer for 20 cc. Pump	RA-00031	1
1.11	Washer	TN-00040	4
1.12	Lock Washer	TN-00039	4
1.13	Socket Head Cap Screw	TN-00053	4
1.14	Washer (20 cc)	TN-00040	2
1.15	Lock Washer for 20 cc Pump	TN-00039	2

(*) Parts included in Ref. A. (@) Parts included in Ref. B.

(°) Parts included in Ref. 1.5



Parts Manual

Ref.	Description	Part Number	Qty.
1.16	Socket Head Cap Screw for 20 cc Pump	TN-00060	2
1.17	Male Adapter for 20 cc Pump	RA-00069	1
1.18	Cartridge Strainer for 20 cc Pump	HI-00003	1
1.19	Suction Tube for 20 cc Pump	HI-00009	1
1.20	Motor Conduit Connector	EL-00087-00	1
2	Reservoir Cover Plate for 20 cc. Pump	HI-00039-04	1
3	Reservoir Cover Plate Gasket	HI-00014-03	1
4	Rubber Grommet for 20 cc Pump	HI-00017	1
5	HYD-Oil Filler	HI-00002	1
6	Washer	TN-00024	8
7	Washer	TN-00025	8
8	Socket Head Cap Screw	TN-00026	8
9	Lock washer	TN-00087	4
10	Washer	TN-00162	4
11	Hex Head Cap Screw (for 20 cc Pump)	TN-00163	4
12	Adapters Bulkhead Union	RA-00059	1
12.1	Adapters Bulkhead Union	RA-00170	1
12.2	Ferule	RA-00169	1
12.3	Nut	RA-00171	1



Ref.	Description	Part Number	Qty.
13	Adapters Bulkhead Union	RA-00060	1
13.1	Ferule	RA-00173	1
13.2	Nut	RA-00174	1
13.3	Adapters Bulkhead Union	RA-00172	1
14	Thermometer and Fluid Level Gauge	HI-00001	1
15	Oil Tank	HI-00037-01	1
16	P-Port Hose (for 20 cc Pump)	HI-00026	6
17	P-Port Hose (for 20 cc Pump)	HI-00026	1
18	T-Port Hose	HI-00024	1
19	Drain Hose (for hyd. Pump 20 cc)	HI-00023	1
20	Return Tube	HI-00051	1
21	Return Tube	HI-00010	1
22	O-Ring	OR-00082	1
23	Plug	RA-00022	1



REVERSING SWITCH

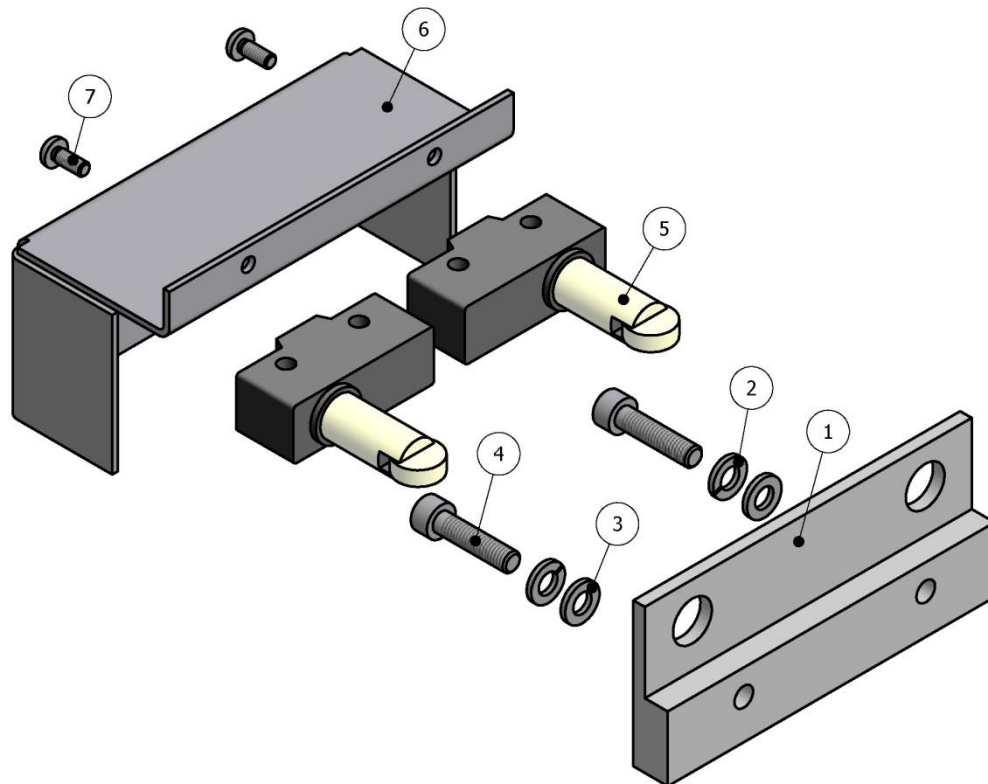


Figure 5. Reversing Switch Assy., Exploded View

Table 10. Reversing Switch Assy., Parts List

Ref.	Description	Part Number	Qty.
1	Reversing Switch Support	MQ-01005	1
2	Washer	TN-00025	2
3	Lock Washer	TN-00024	2
4	Socket Head Cap Screw	TN-00169	2
5	Pump Reversing Switch	EL-00020	2
6	Reversing Switch Cover	MQ-01006	1
7	ULS Screw	TN-00159	2

LUBE RESERVOIR HOSE ASSEMBLY

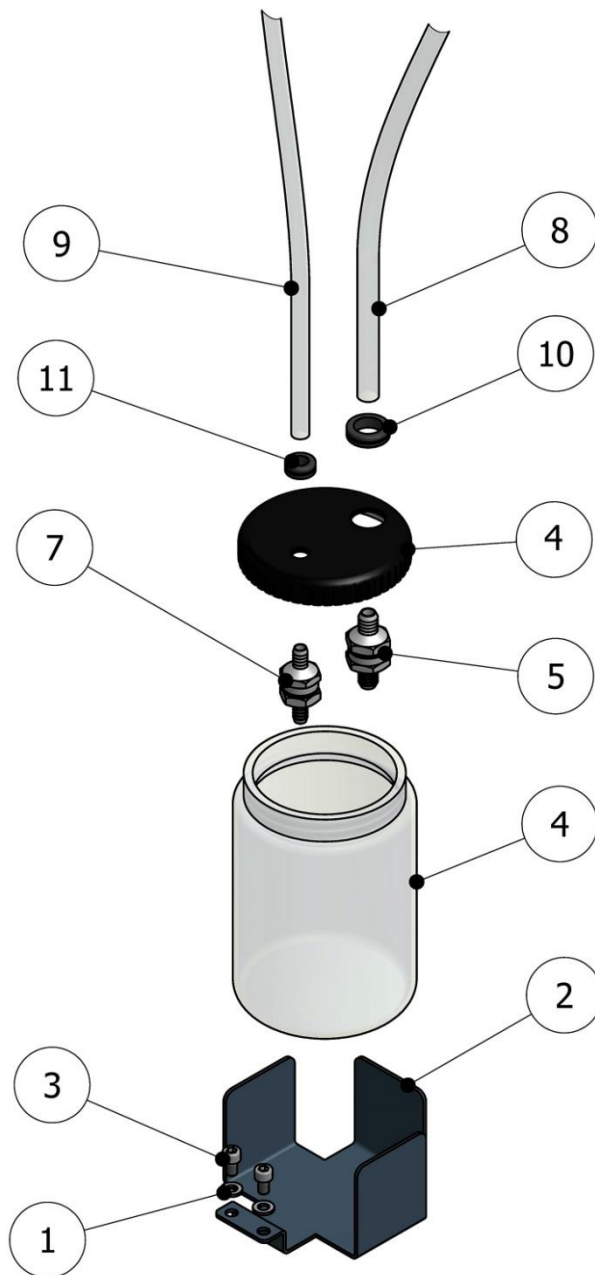


Figure 6. Lube Reservoir Hose Assembly, Exploded View



Table 11. Lube Reservoir Hose Assembly, Parts List

Ref.	Description	Part Number	Qty.
1.1	Washer	TN-00024	2
1.2	Washer	TN-00025	2
2	Lube Reservoir Bracket	MQ-01008	1
3	Socket Head Cap Screw	TN-00248	2
4	Lube Reservoir Bottle with Drilled Cap	MQ-01009-01	1
5	Lube Reservoir Check Valve for Pipe 12x1	RA-00068	1
6			
7	Lube Reservoir Check Valve for Pipe 10x1	RA-00283	1
8	Supply Line	MA-00025	1
9	Return Line	MA-00024	1
10	Rubber Grommet	EL-00095-03	1
11	Rubber Grommet	EL-00095-01	1

PUMP LINE ASSEMBLY

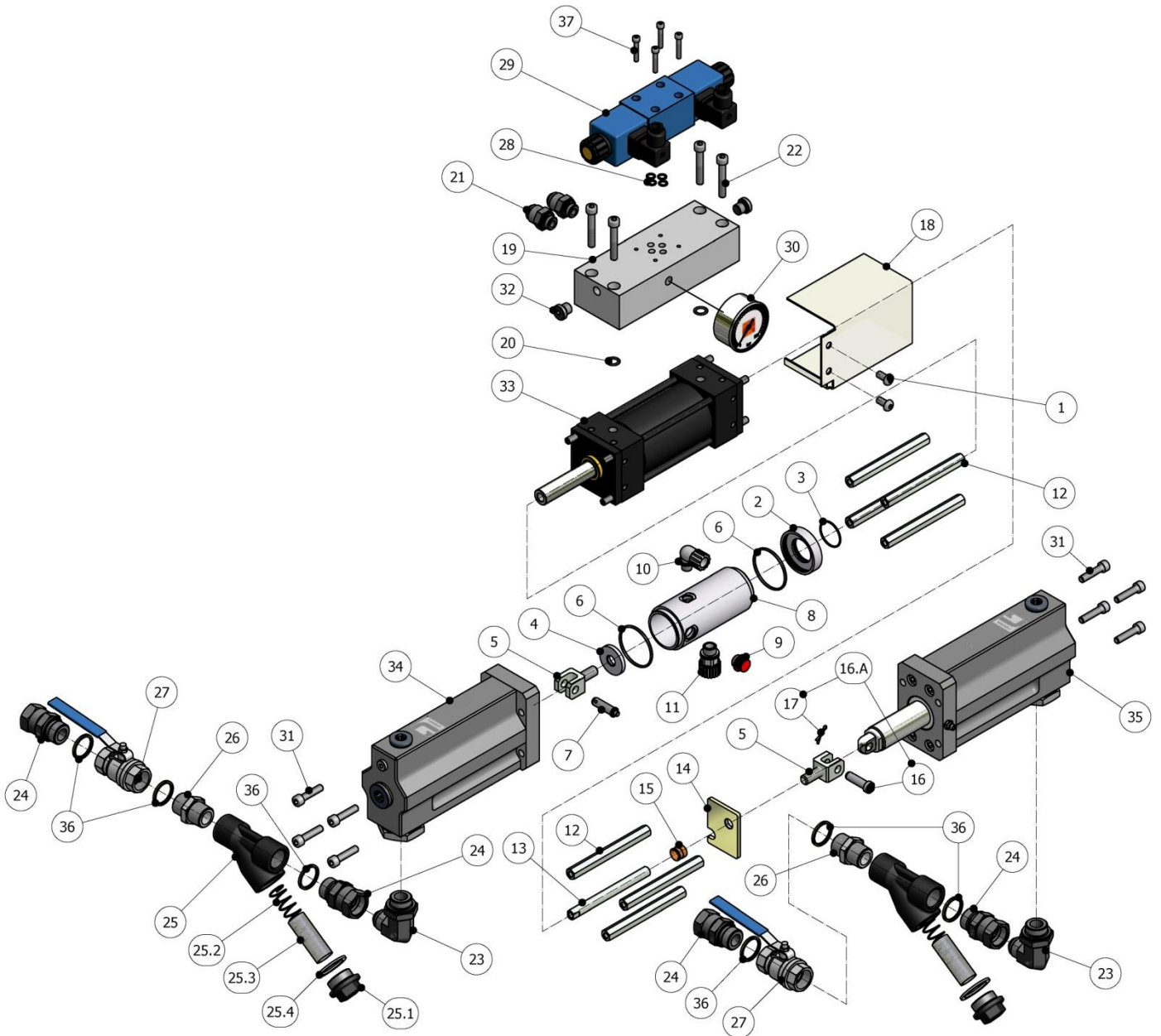


Figure 7. Pump Line Assembly, Exploded View



Table 12. Pump Line Assembly, Parts List

Ref.	Description	Part Number	Qty.
1	Socket Head Cap Screw	TN-00135	2
2	Lube Cylinder Adapter Plate	PU-01021	1
3	O-Ring	OR-00021	1
4	Baffle	PU-01019	1
5	Hydraulic Cylinder Clevis	PU-01043	2
6	Lube Cylinder O-Ring	OR-00020	2
7	“A” Clevis Pin Assembly (Include Ref. 7.1 & 7.2)	PU-01044-00	1
7.1	Clevis Pin (included in Ref. 7)	PU-01044-01M	1
7.2	Clevis Pin Clip (included in Ref. 7)	TN-00136	1
7.3	Washer (included in Ref. 7)	TN-00024	1
8	Lube Cylinder	PU-01018	1
9	Polyethylene Pipe Plug	RA-00116	1
10	Lube Cylinder Elbow	RA-00066	1
11	Lube Cylinder fitting	RA-00067	1
12	Proportioning Pump Spacer	PU-01025	7
13	Reversing Switch Pump Spacer	PU-01026	1
14	Reversing Switch Activate Plate	PU-01023	1
15	Bronze Bushing	PU-01022	1
16	“R” Clevis Pin	PU-01045-01	1
17	Pin	TN-00077	1
16A	“R” Clevis Pin Assembly (includes Ref. 16 & 17)	PU-01045-00	1
18	Activator Plate Cover	PU-01027	1
19	Hydraulic Manifold	MQ-01007	1
20	O-Ring	OR-00019	2
21	Hex nipple	RA-00062	2
22	Socket Head Cap Screw	TN-00090	4
23	Street Elbow	RA-00072	2
24	Swivel Union	RA-00073	4
25	Y-Strainer	RA-00074-00	2
25.1	Filter Plug	RA-00074-01	2
25.2	Filter Spring	SP-00017	2



Ref.	Description	Part Number	Qty.
25.3	Filter	RA-00074-03-30	2
25.4	Filter Gasket	OR-00061	2
26	Hex Nipple	RA-00143	2
27	Ball Valve	RA-00078	2
28	Junta Tórica	OR-00035	4
29	Directional valve	HI-00054	1
30	Hydraulic Gauge	HI-00078	1
31	Socket Head Cap Screw	TN-00245	8
32	Plug	RA-00013	2
33	Hydraulic Cylinder With Spacers	HI-00101	1
34	“A” Proportioning Pump Assembly	See Table 13	1
35	“R” Proportioning Pump Assembly	See Table 13	1
36	Gasket	OR-00082	6
37	Screw	TN-00148	4

Table 13. Proportioning Pump Size, Parts

SIZE	Proportioning Pump Size	
	Ref. 34 (ISO Pump)	Ref. 35 (POL Pump)
1.20 (standard)	PU-06101-012G	PU-06102-012G
0.80 (optional)	PU-06101-008G	PU-06102-008G

Note: (*) The standard proportioning pump size is #1.20. Different sizes are available under order. For delivery time, please consult with Marketing department.

HYDRAULIC CYLINDER WITH SPACERS

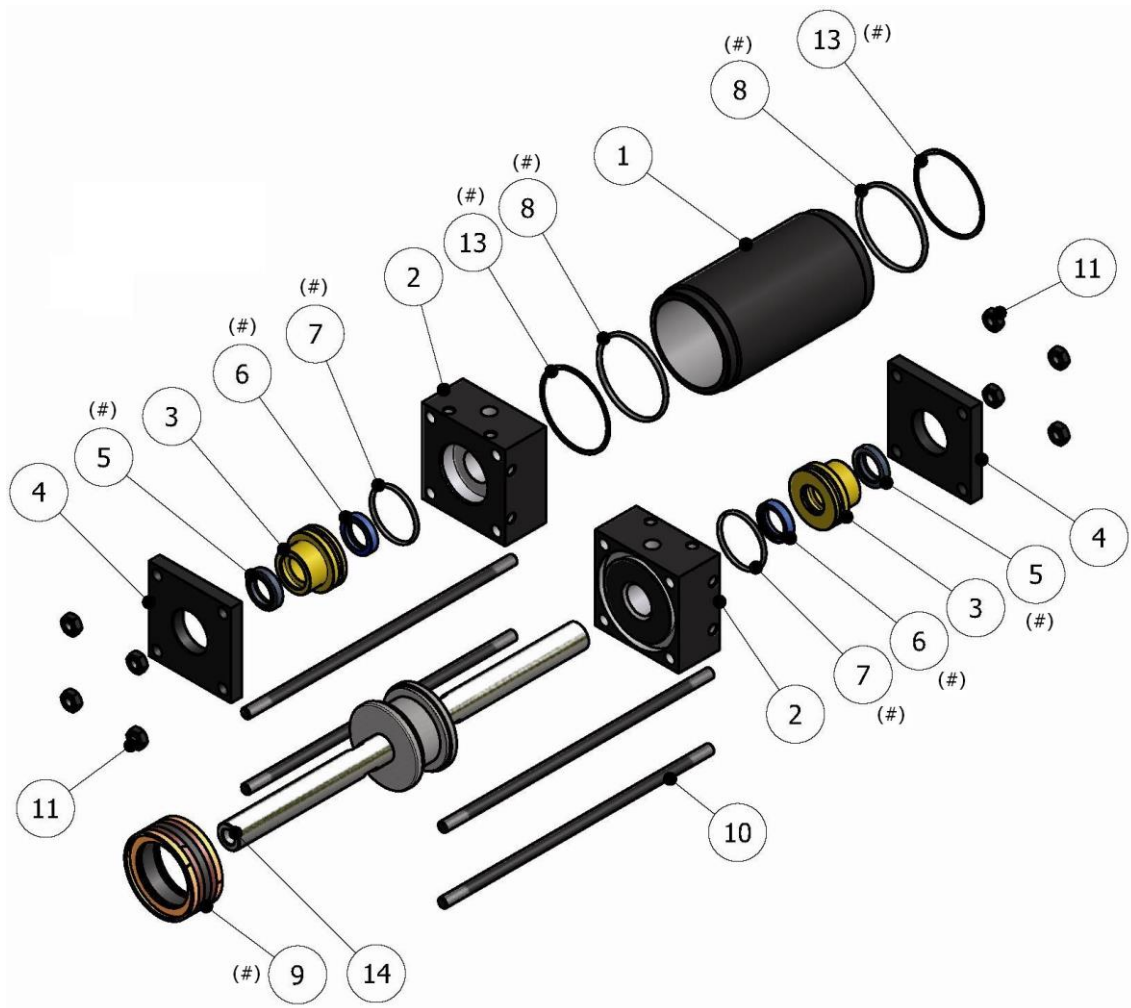


Figure 8. Hydraulic Cylinder with Spacers, Exploded View

N.B.: The indicated parts (#) are included in the repair seal kit KT-00010-01.

**Table 14. Hydraulic Cylinder with Spacers, Parts List**

Ref.	Description	Part Number	Qty.
1	Cylinder Body	HI-00025-05	1
2	Port Block	HI-00101-04	2
3	Rod Bushing	HI-00101-03	2
4	Front Plate	HI-00025-02	2
5	Rod Wiper	OR-00095	2 (#)
6	Shaft Seal	OR-00096	2 (#)
7	O-Ring	OR-00039	2 (#)
8	O-Ring	OR-00040	2 (#)
9	Piston O-ring	OR-00041-00	1 (#)
10	Hydraulic Cylinder Tie Rod	HI-00025-06	4
11	Nut (*)	TN-00029	8
13	O-Ring Anti Extrusion	OR-00063	2 (#)
14	Piston	HI-00101-01	1

(*) Only when the cylinder is supplied as a spare part. Not included in the Pump Line fitted in the machine.

The indicated parts (#) are included in the repair seal kit KT-00010-01

“A” PROPORTIONING PUMP ASSEMBLY

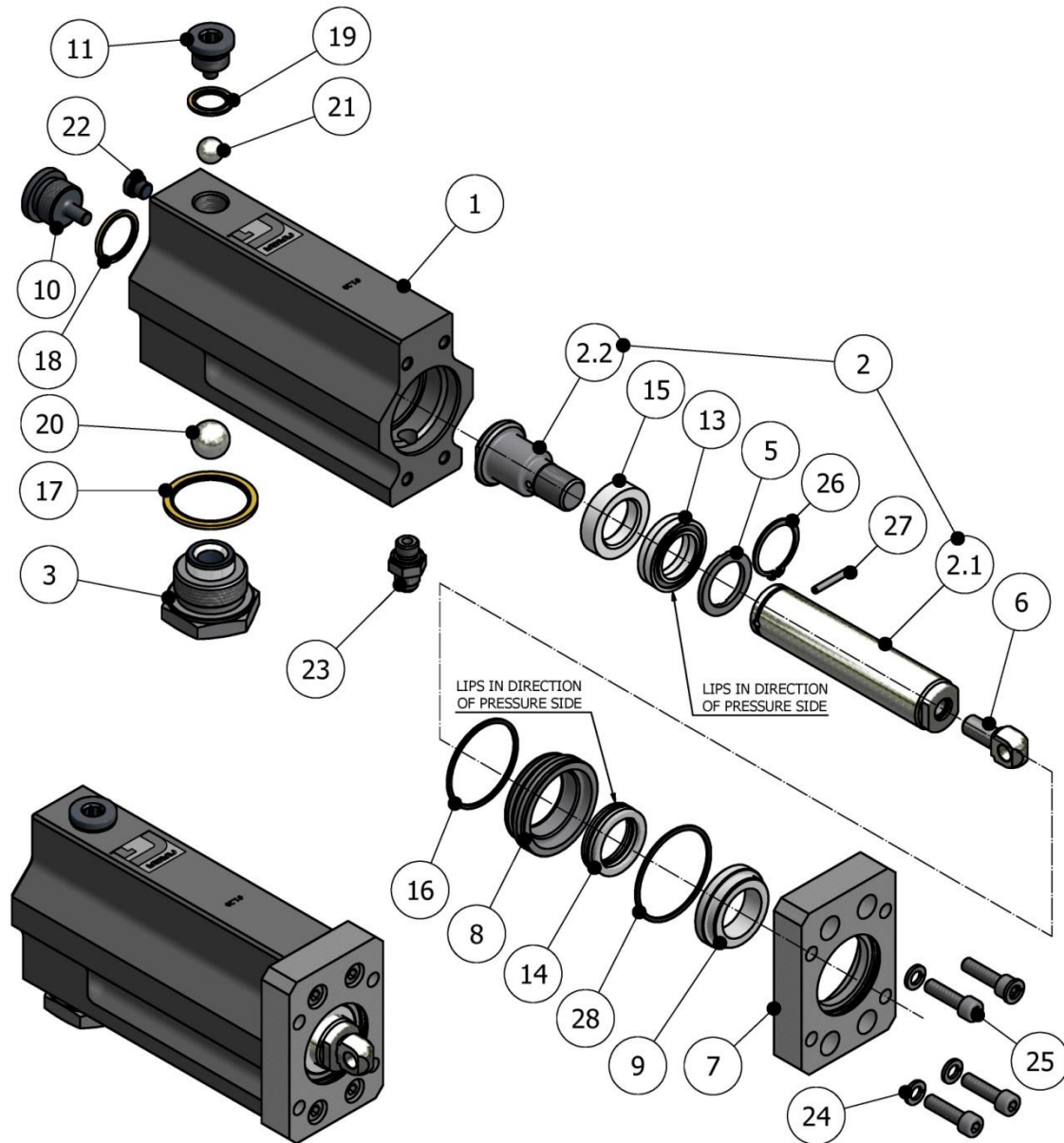


Figure 9. “A” Proportioning Pump Assembly, Exploded View



Table 15. “A” Proportioning Pump Assembly, Parts List

item.	Description	Part Number	Qty.
1	Body Pump with Check Valve Seat	See Table 16	1
2	Piston Rod Assembly (Only item. 2.1 y 2.2)	See Table 16	1
2.1	Piston Rod (Included in item 2)	See Table 16	1 (#)
2.2	Piston Head (Included in item 2)	See Table 16	1 (#)
3	Inlet Ball Seat Assembly	PU-01003-0J	1
4			
5	Piston Seal	See Table 16	1
6	Pump Clevis	See Table 16	1
7	Monobloc Flange Pump – ISO	See Table 16	1
8	Seat Seal – ISO	See Table 16	1
9	Bearing ISO	See Table 17	1 (*)
10	Plug Side Pump	PU-01003-0E	1
11	Upper Plug Pump	PU-01003-0F	1
12			
13	Piston Seal	See Table 17	1 (*)
14	Cylinder Seal	See Table 17	1 (*)
15	Piston Guide	See Table 17	1 (*)
16	O-Ring	See Table 17	1 (*)
17	Metallic Ring	OR-00088	1
18	Metallic Ring	OR-00082	1
19	Metallic Ring	OR-00023	1
20	Lower Ball	TN-00013	1
21	Upper Ball	TN-00012	1
22	Plug	See Table 16	1
23	Output Elbow	RA-00145	1
24	Washer	See Table 16	4
25	Allen Screw	See Table 16	4
26	Seeger Ring	See Table 16	1
27	Pin	See Table 16	1
28	O-Ring	See Table 17	1 (*)

N.B.: The parts marked with (*), are included in the repair seal kit of “A” pump (see Table 18).

The parts marked with (#), are not supplied separately.



Table 16. "A" Proportioning Pump Assembly, Parts List

Pump	Item 1	Item 2 (2.1 + 2.2)	Item 2.1	Item 2.2
1.20 (#)	PU-06001-012	PU-01006-012	PU-01007-012	PU-01008-012
0.80	PU-06001-008	PU-01006-008	PU-01007-008	PU-01008-008

Pump	Item 5	Item 6	Item 7	Item 8	Item 22
1.20 (#)	PU-01010-012	PU-01042	PU-06004	PU-06009-012G	RA-00211
0.80	PU-01010-008	PU-01042	PU-06004	PU-06009-008G	RA-00211

Pump	Item 24	Item 25	Item 26	Item 27
1.20 (#)	TN-00028	TN-00062	TN-00070	TN-00086
0.80	TN-00028	TN-00062	TN-00067	TN-00085

Table 17. Seals Monobloc "A" Pump

item	1.20 (#)	0.80
9	PU-06007-012	PU-06007-008
13	PU-01016-012A	PU-01016-008A
14	PU-01017-012G	PU-01017-008G
15	PU-01014-012A	PU-01014-008A
16	OR-00009	OR-00009
28	OR-00115	OR-00115

Table 18. Repair Seal Kit "A" Pump

Pump	Item
1.20 (#)	KT-00157
0.80	KT-00159

N.B : (#) The standard proportioning pump sizes is #1.20. Different sizes are available under order. For delivery time, please consult with Marketing department.

The Repair seal kit include the parts indicated (*) in the Table 15.

“R” PROPORTIONING PUMP ASSEMBLY

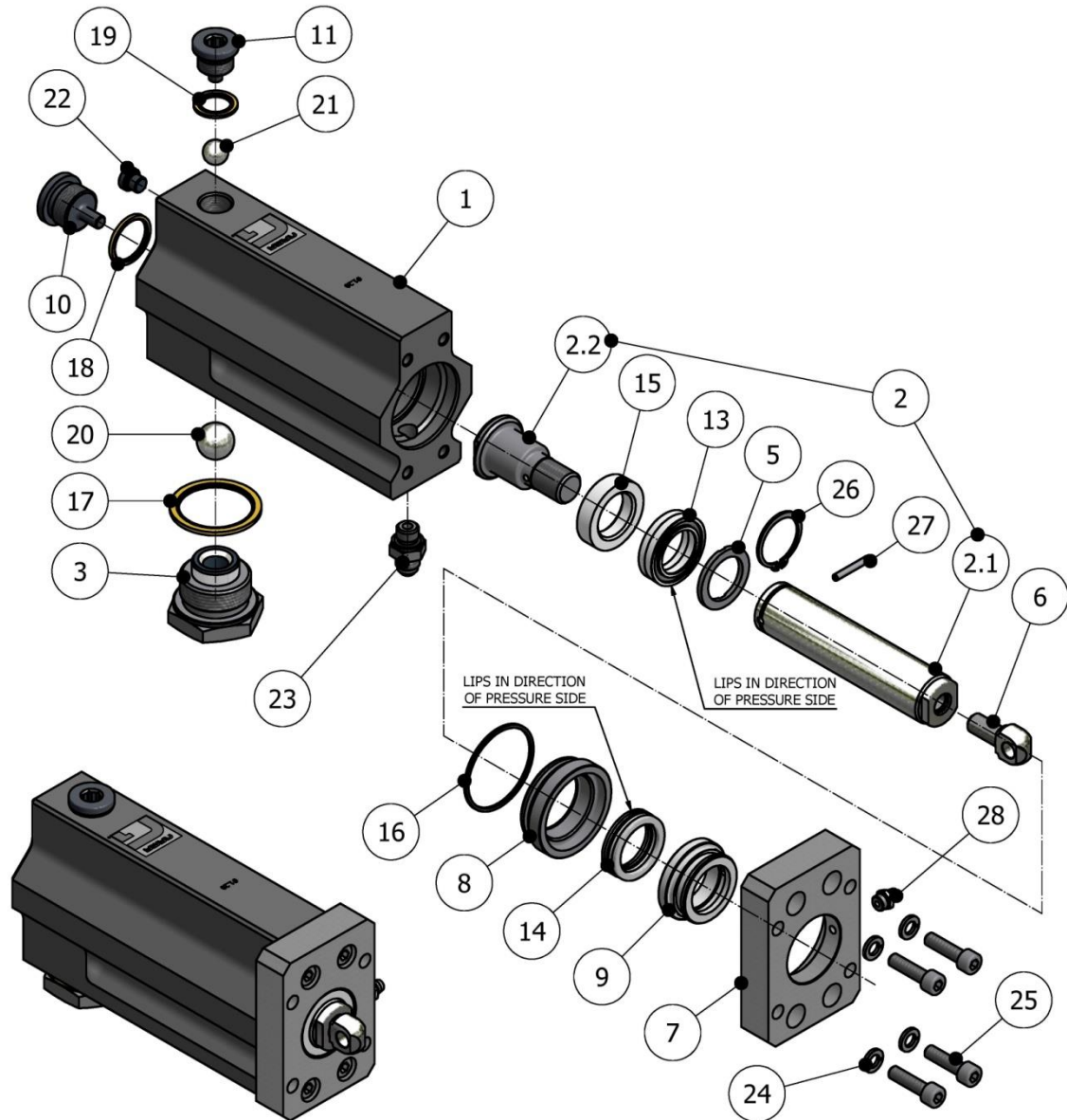


Figure 10. “R” Proportioning Pump Assembly, Exploded View

N.B.: The parts marked with (*), are included in the repair seal kit of “R” pump.



Table 19. “R” Proportioning Pump Assembly, Parts List

item.	Description	Part Number	Qty.
1	Body Pump with Check Valve Seat	See Table 20	1
2	Piston Rod Assembly (Only item. 2.1 y 2.2)	See Table 20	1
2.1	Piston Rod (Included in item 2)	See Table 20	1 (#)
2.2	Piston Head (Included in item 2)	See Table 20	1 (#)
3	Inlet Ball Seat Assembly	PU-01003-0J	1
4			
5	Piston Seal	See Table 20	1
6	Pump Clevis	See Table 20	1
7	Monobloc Flange Pump – POL	See Table 20	1
8	Seat Seal – POL	See Table 20	1
9	Bearing POL	See Table 21	1 (*)
10	Plug Side Pump	PU-01003-0E	1
11	Upper Plug Pump	PU-01003-0F	1
12			
13	Piston Seal	See Table 21	1 (*)
14	Cylinder Seal	See Table 21	1 (*)
15	Piston Guide	See Table 21	1 (*)
16	O-Ring	See Table 21	1 (*)
17	Metallic Ring	OR-00088	1
18	Metallic Ring	OR-00082	1
19	Metallic Ring	OR-00023	1
20	Lower Ball	TN-00013	1
21	Upper Ball	TN-00012	1
22	Plug	See Table 20	1
23	Exit Elbow	RA-00145	1
24	Washer	See Table 20	4
25	Allen Screw	See Table 20	4
26	Seeger Ring	See Table 20	1
27	Pin	See Table 20	1
28	Grease Fiting	See Table 20	1

N.B.: The parts marked with (*), are included in the repair seal kit of “R” pump (see Table 22).

The parts marked with (#), are not supplied separately.



Table 20. "R" Proportioning Pump Assembly, Parts List

Pump	Item 1	Item 2 (2.1 + 2.2)	Item 2.1	Item 2.2
1.20 (#)	PU-06001-012	PU-01006-012	PU-01007-012	PU-01008-012
0.80	PU-06001-008	PU-01006-008	PU-01007-008	PU-01008-008

Pump	Item 5	Item 6	Item 7	Item 8	Item 22
1.20 (#)	PU-01010-012	PU-01042	PU-06005	PU-06006-012G	RA-00211
0.80	PU-01010-008	PU-01042	PU-06005	PU-06006-008G	RA-00211

Pump	Item 24	Item 25	Item 26	Item 27	Item 28
1.20 (#)	TN-00028	TN-00062	TN-00070	TN-00086	TN-00073
0.80	TN-00028	TN-00062	TN-00067	TN-00085	TN-00073

Table 21. Seals Monobloc "R" Pump

Pump	Item 9	Item 13	Item 14	Item 15	Item 16
1.20 (#)	PU-06008-012	PU-01016-012A	PU-01017-012G	PU-01014-012A	OR-00009
0.80	PU-06008-008	PU-01016-008A	PU-01017-008G	PU-01014-008A	OR-00009

Table 22. Repair Seal Kit "R" Pump

Pump	Item
1.20 (#)	KT-00158
0.80	KT-00160

N.B : (#) The standard proportioning pump size is #1.20. Different sizes are available under order. For delivery time, please consult with Marketing department.

The Repair seal kit include the parts indicated (*) in the Table 19.



“A” STANDARD PRIMARY HEATER

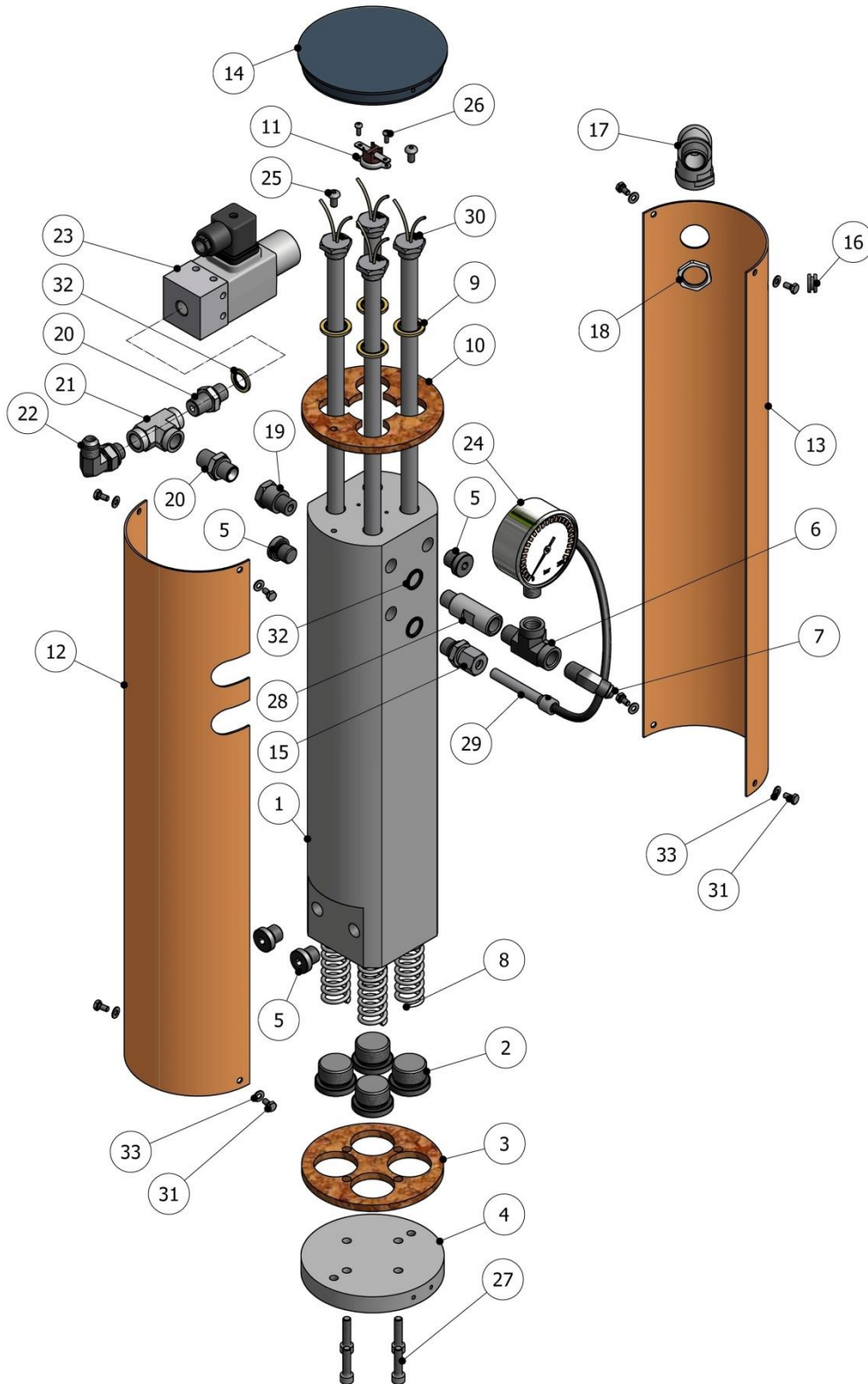


Figure 11. “A” Standard Primary Heater, Exploded View



Table 23. "A" Standard Primary Heater, Parts List

Ref.	Description	Part Number	Qty.
1	Heat Block	CLH-02001-01A	1
2	Pipe Plug	RA-00012	4
3	Bottom Insulate Plate	CL-02001-03	1
4	Heater Plate	CL-02001-02	1
5	Pipe Plug	RA-00013	4
6	Pipe Tee	RA-00018	1
7	Hose Nipple	RA-00017	1
8	Spring	SP-00009	4
9	Seal	OR-00018	4
10	Top Insulate Plate	CL-02001-04	1
11	Thermal Limit Switch	EL-00006	1
12	Heater Cover	CL-02001-06	1
13	Heater Cover	CL-02001-05	1
14	Top Cap	CL-02001-07	1
15	Thermocouple Nipple	RA-00231	1
16	Rubber Grommet	EL-00095-00	1
17	Conduit Connector	EL-00087-01	1
18	Nut	EL-00090-01	1
19	Swivel Union	RA-00077	1
20	Adapters Union	See Table 24	2
21	Pipe Tee	See Table 24	1
22	Elbow Fitting	RA-00050	1
23	Pressure Switch	HI-00021	1
24	Liquid Fill Gauge	See Table 24	1
25	Screw	TN-00166	2
26	Socket Head Cap Screw	TN-00128	2
27	Socket Head Cap Screw	TN-00169	4
28	Adapter	RA-00100	1
29	Thermocouple	EL-00146-00	1
30	Heat Resistance	See Table 25	4
31	Screw	TN-00317	8
32	Seal	See Table 24	
33	Washer	TN-00104	8

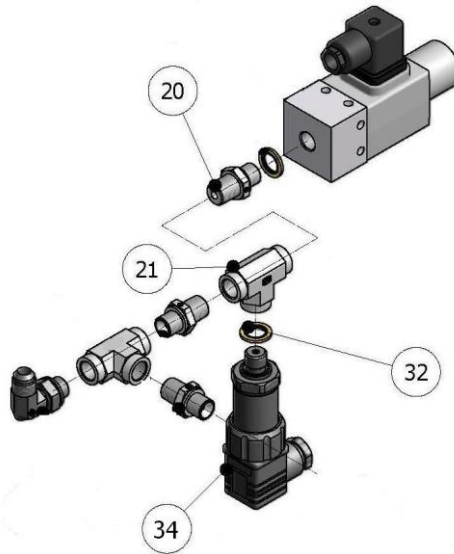


Figure 12. "A" Standard Primary Heater, Exploded View

Table 24. Parts List of Variable Components for "A" Primary heater

Ref.	Description	for 200 bar		for 300 bar	
		With Logger (optional)	Without Logger (standard)	With Logger (optional)	Without Logger (optional)
		CLH-03001-00GT CLH-03001-00BT CLH-03001-00IT	CLH-03001-00G CLH-03001-00B	CLH-03001-00HT CLH-03001-00DT	CLH-03001-00H CLH-03001-00D
20	Adapters Union	3x RA-00138	2x RA-00138	3x RA-00138	2x RA-00138
21	Pipe Tee	2x RA-00053	1x RA-00053	2x RA-00053	1x RA-00053
24	Liquid Gauge Fill	1x HI-00019	1x HI-00019	1x HI-00035	1x HI-00035
32	Seal	4x OR-00054	3x OR-00054	4x OR-00054	3x OR-00054
34	Transducer	1x HI-00033	-	1x HI-00033	-

Table 25. "A" Heat Resistance Reference List

Ref.	Description	Part Number	Qty.
30	Heat Resistance 400v 1500w	EL-00189	4
	Heat Resistance 400v 1250w	EL-00226	4
	Heat Resistance 230v 1500w	EL-00082	4

“R” STANDARD PRIMARY HEATER

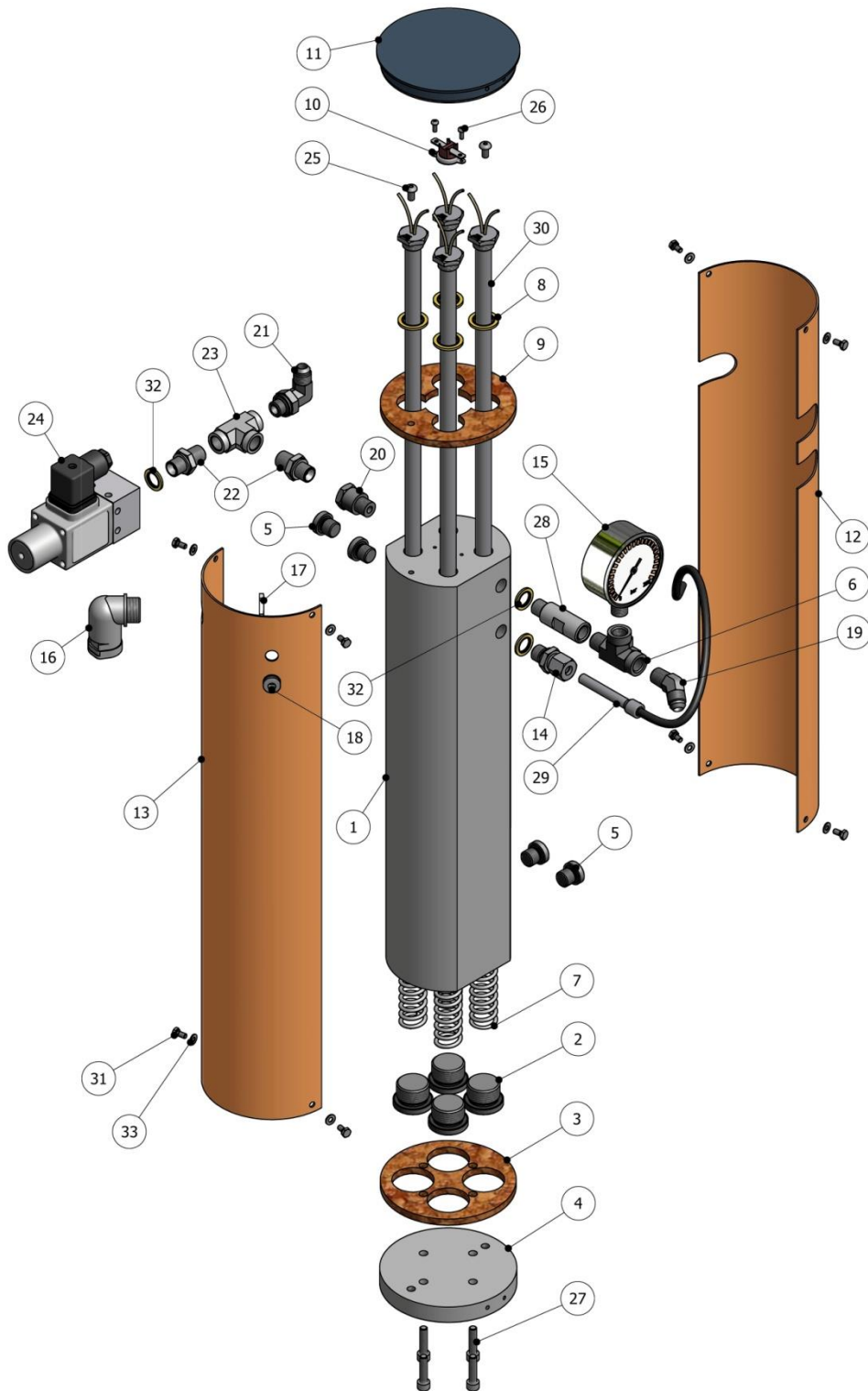


Figure 13. “R” Standard Primary Heater



Table 26. "R" Standard Primary Heater, Parts List

Ref.	Description	Part Number	Qty.
1	Heat Block	CLH-02001-01A	1
2	Pipe Plug	RA-00012	4
3	Bottom Insulate Plate	CL-02001-03	1
4	Heater Plate	CL-02001-02	1
5	Pipe Plug	RA-00013	4
6	Pipe Tee	RA-00018	1
7	Spring	SP-00009	4
8	Seal	OR-00018	4
9	Top Insulate Plate	CL-02001-04	1
10	Thermal Limit Switch	EL-00006	1
11	Top Cap	CL-02001-07	1
12	Heater Cover	CL-02002-06	1
13	Heater Cover	CL-02002-05	1
14	Thermocouple Nipple	RA-00231	1
15	PSI Liquid Fill Gauge	See Table 27	1
16	Conduit Connector	EL-00087-01	1
17	Nut	EL-00090-01	1
18	Rubber Grommet	EL-00095-00	1
19	Hose Nipple	RA-00043	1
20	Swivel Union	RA-00077	1
21	Elbow Fitting	RA-00050	1
22	Adapters Union	See Table 27	2
23	Pipe Tee	See Table 27	1
24	Pressure Switch	HI-00021	1
25	Screw	TN-00166	2
26	Socket Head Cap Screw	TN-00128	2
27	Socket Head Cap Screw	TN-00169	4
28	Adapter	RA-00100	1
29	Thermocouple	EL-00146-00	1
30	Heat Resistance	Table 28	4
31	Screw	TN-00317	8
32	Seal	See Table 27	
33	Washer	TN-00104	8

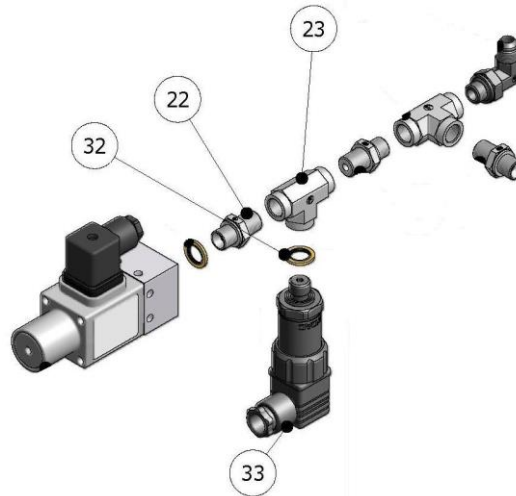


Figure 14. "R" Standard Primary Heater, Exploded View

Table 27. Parts List of Variable Components for "R" Primary heater

Ref.	Description	for 200 bar		for 300 bar	
		With Logger (optional)	Without Logger (standard)	With Logger (optional)	Without Logger (optional)
		CLH-03002-00GT CLH-03002-00BT CLH-03002-00IT	CLH-03002-00G CLH-03002-00B	CLH-03002-00HT CLH-03002-00DT	CLH-03002-00H CLH-03002-00D
22	Adapters Union	3x RA-00138	2x RA-00138	3x RA-00138	2x RA-00138
23	Pipe Tee	2x RA-00053	1x RA-00053	2x RA-00053	1x RA-00053
15	Liquid Fill Gauge	1x HI-00019	1x HI-00019	1x HI-00035	1x HI-00035
32	Seal	4x OR-00054	3x OR-00054	4x OR-00054	3x OR-00054
34	Transducer	1x HI-00033	-	1x HI-00033	-

Table 28. "R" Heat Resistance Reference List

Ref.	Description	Part Number	Qty.
30	Heat Resistance 400v 1500w	EL-00189	4
	Heat Resistance 400v 1250w	EL-00226	4
	Heat Resistance 230v 1500w	EL-00082	4



RECIRCULATION KIT P#: KT-00038

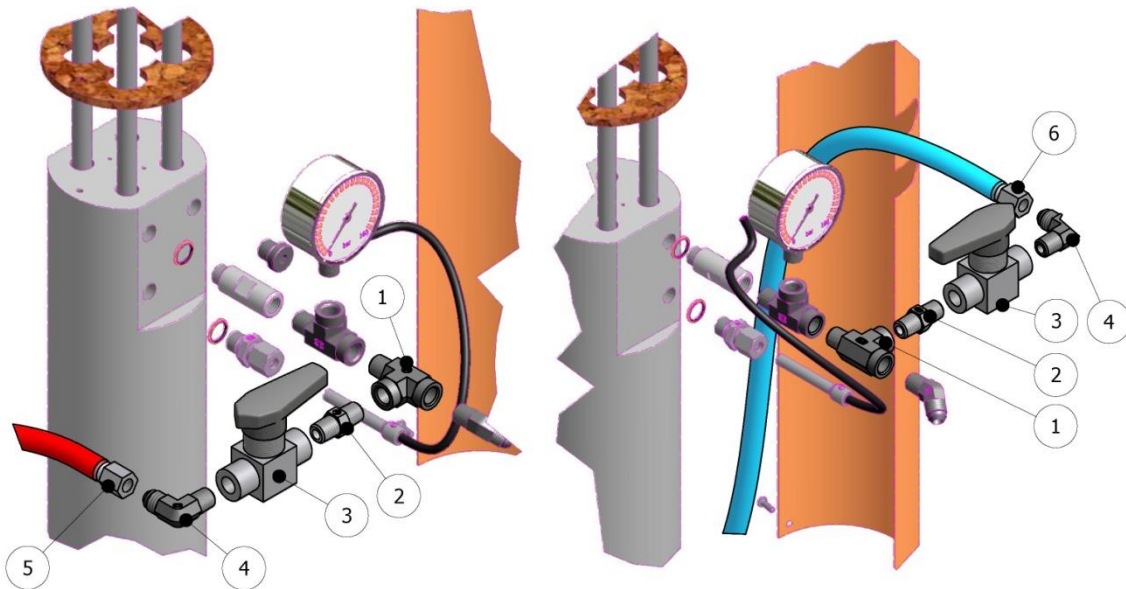


Figure 15. Recirculation Kit P#: KT-00038, Exploded View

Table 29. Recirculation Kit evolution, Parts List

Ref.	Description	Part Number	Qty.
1	Pipe Tee	RA-00018	2
2	Swivel Union	RA-00188	2
3	Ball Valve	RA-00217	2
4	Elbow ISO	RA-00254	1
	Elbow POL	RA-00044	1
5	A-Hose	MA-00050-01	1
6	R-Hose	MA-00050-00	1

RECIRCULATION KIT P#: KT-00038-01

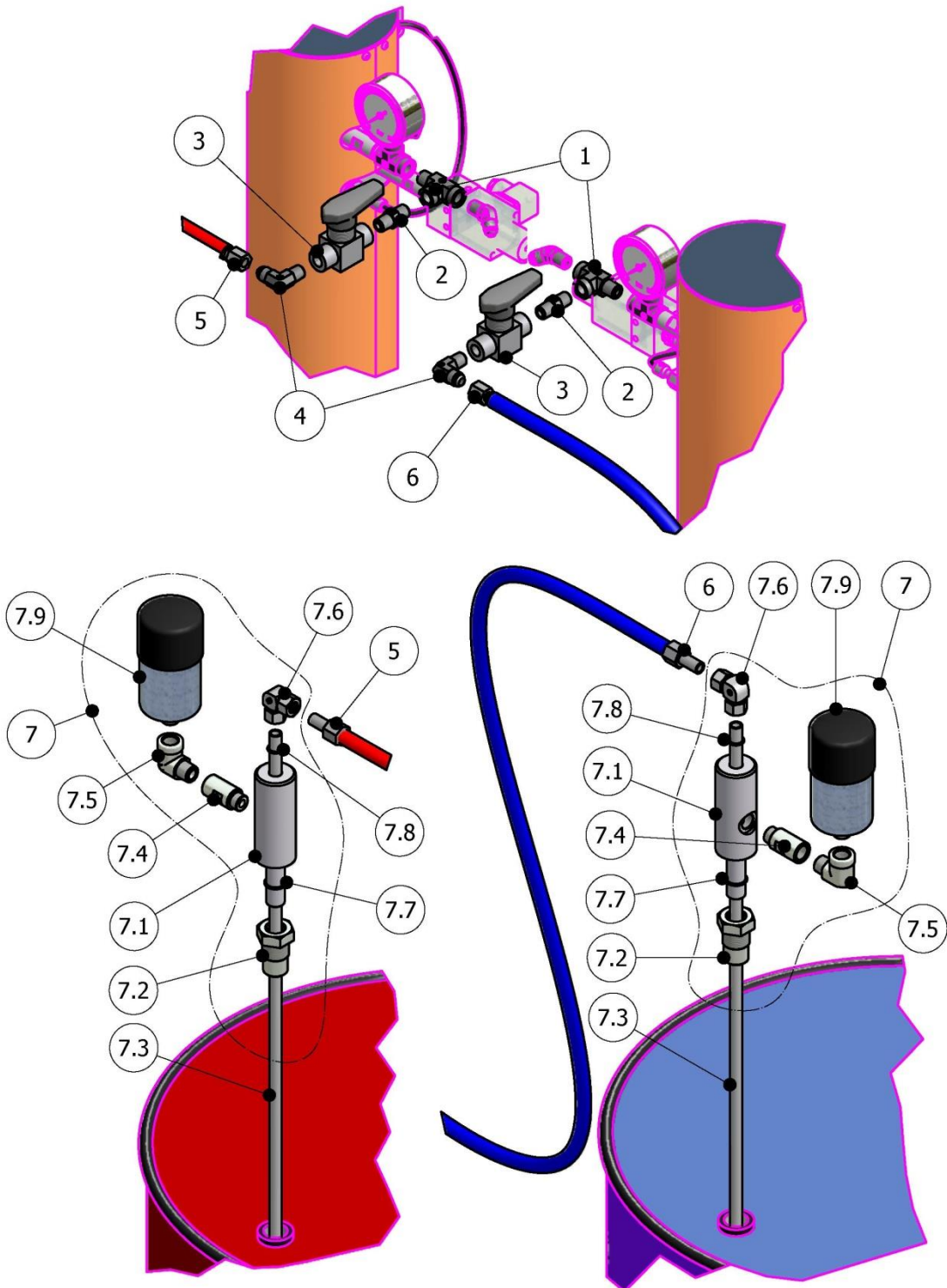


Figure 16. Recirculation Kit P#: KT-00038-01, Exploded View



Table 30. Recirculation Kit #KT-00038-01, Parts List

Ref.	Description	Part Number	Qty.
1	Pipe Tee	RA-00018	2
2	Swivel Union	RA-00188	2
3	Ball Valve	RA-00217	2
4	Elbow ISO	RA-00254	1
	Elbow POL	RA-00044	1
5	A-Hose	MA-00050-01	1
6	R-Hose	MA-00050-00	1
7	Assy. Connection to Tank with Filter	MQ-05009-00	2
7.1	Body Connection	MQ-05010	1 (*)
7.2	Connection Tank	MQ-05009	1 (*)
7.3	Pipe	HI-00075	1 (*)
7.4	Extension	RA-00256	1 (*)
7.5	Elbow	RA-00257	1 (*)
7.6	Elbow for Pipe	RA-00200	1 (*)
7.7	O-Ring	OR-00055	2(*)
7.8	O-Ring	OR-00011	1 (*)
7.9	Dehumidifier Filter	NE-00045	1 (*)

N.B.:

(*) Unitary Quantities included in 1 set POS.7

RECIRCULATION KIT P#: KT-00038-03

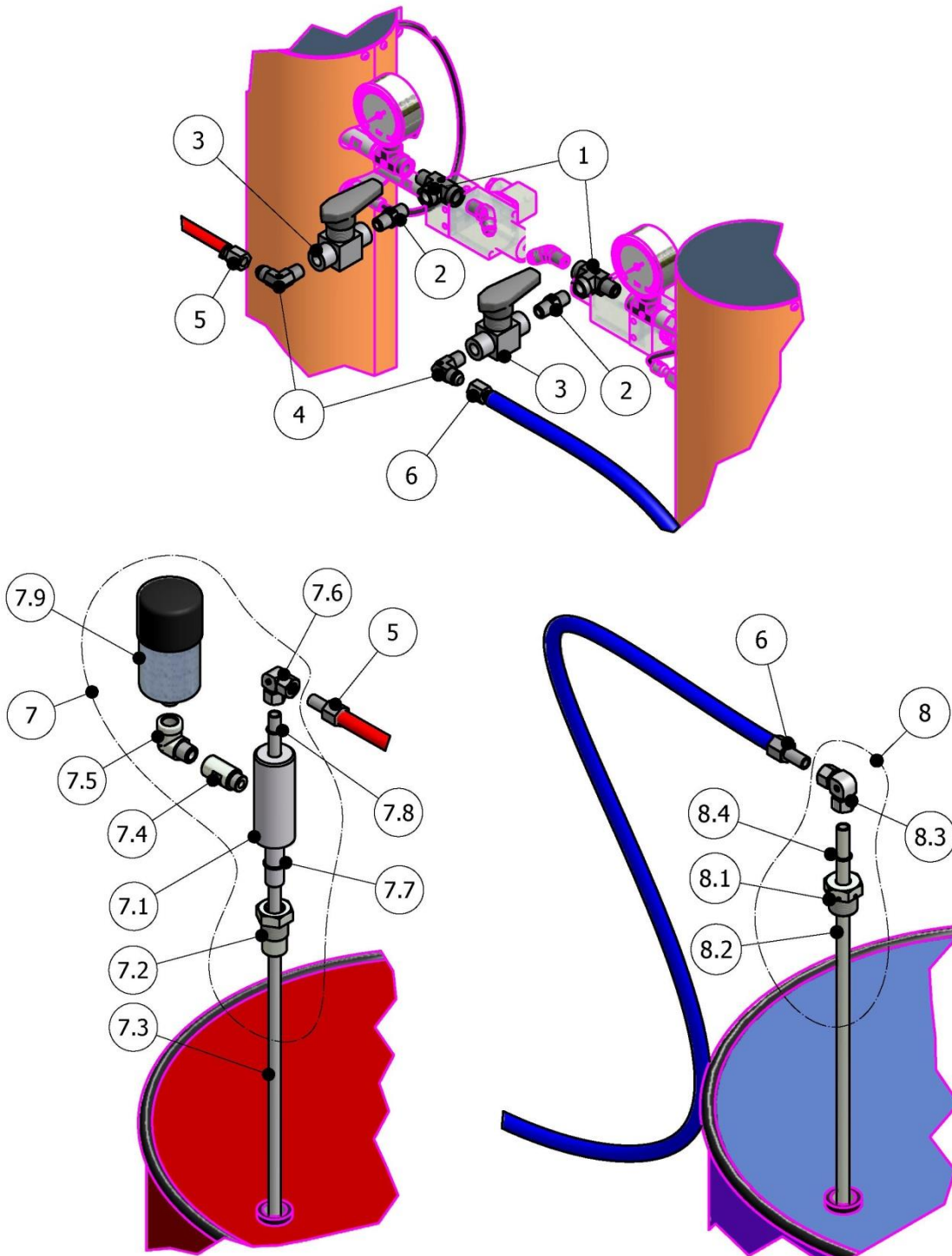


Figure 17. Recirculation Kit P#: KT-00038-03, Exploded View



Table 31. Recirculation Kit #KT-00038-03, Parts List

Ref.	Description	Part Number	Qty.
1	Pipe Tee	RA-00018	2
2	Swivel Union	RA-00188	2
3	Ball Valve	RA-00217	2
4	Elbow ISO	RA-00254	1
	Elbow POL	RA-00044	1
5	A-Hose	MA-00050-01	1
6	R-Hose	MA-00050-00	1
7	Assy. Connection to Tank with Filter	MQ-05009-00	1
7.1	Body Connection	MQ-05010	1 (*)
7.2	Connection Tank	MQ-05009	1 (*)
7.3	Pipe	HI-00075	1 (*)
7.4	Extension	RA-00256	1 (*)
7.5	Elbow	RA-00257	1 (*)
7.6	Elbow for Pipe	RA-00200	1 (*)
7.7	O-Ring	OR-00055	2 (*)
7.8	O-Ring	OR-00011	1 (*)
7.9	Dehumidifier Filter	NE-00045	1 (*)
8	Assy. Connection to Tank without Filter	MQ-05010-00	1
8.1	Connection Tank	MQ-05009-A	1 (#)
8.2	Pipe	HI-00075	1 (#)
8.3	Elbow for Pipe	RA-00200	1 (#)
8.4	O-Ring	OR-00011	1 (#)

N.B.:

(*) Unitary Quantities included in 1 set POS.7

(#) Unitary Quantities included in 1 set POS.8

ELECTRICAL SCHEMATIC DIAGRAM 3PE~400V 50/60Hz

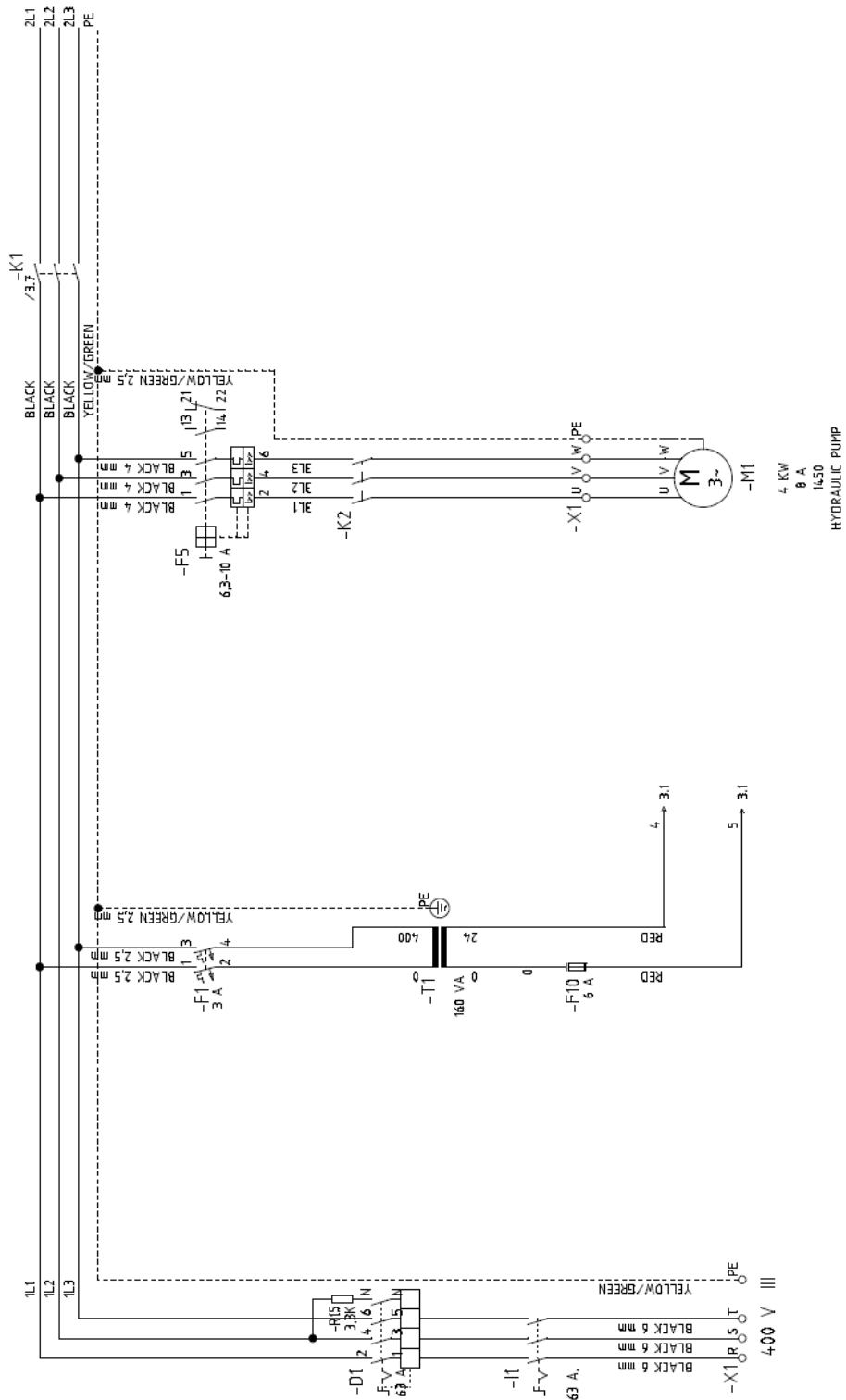


Figure 18. Elec. Schem. 3PE~400V 50/60Hz Standard Version (Sheet 1/7)

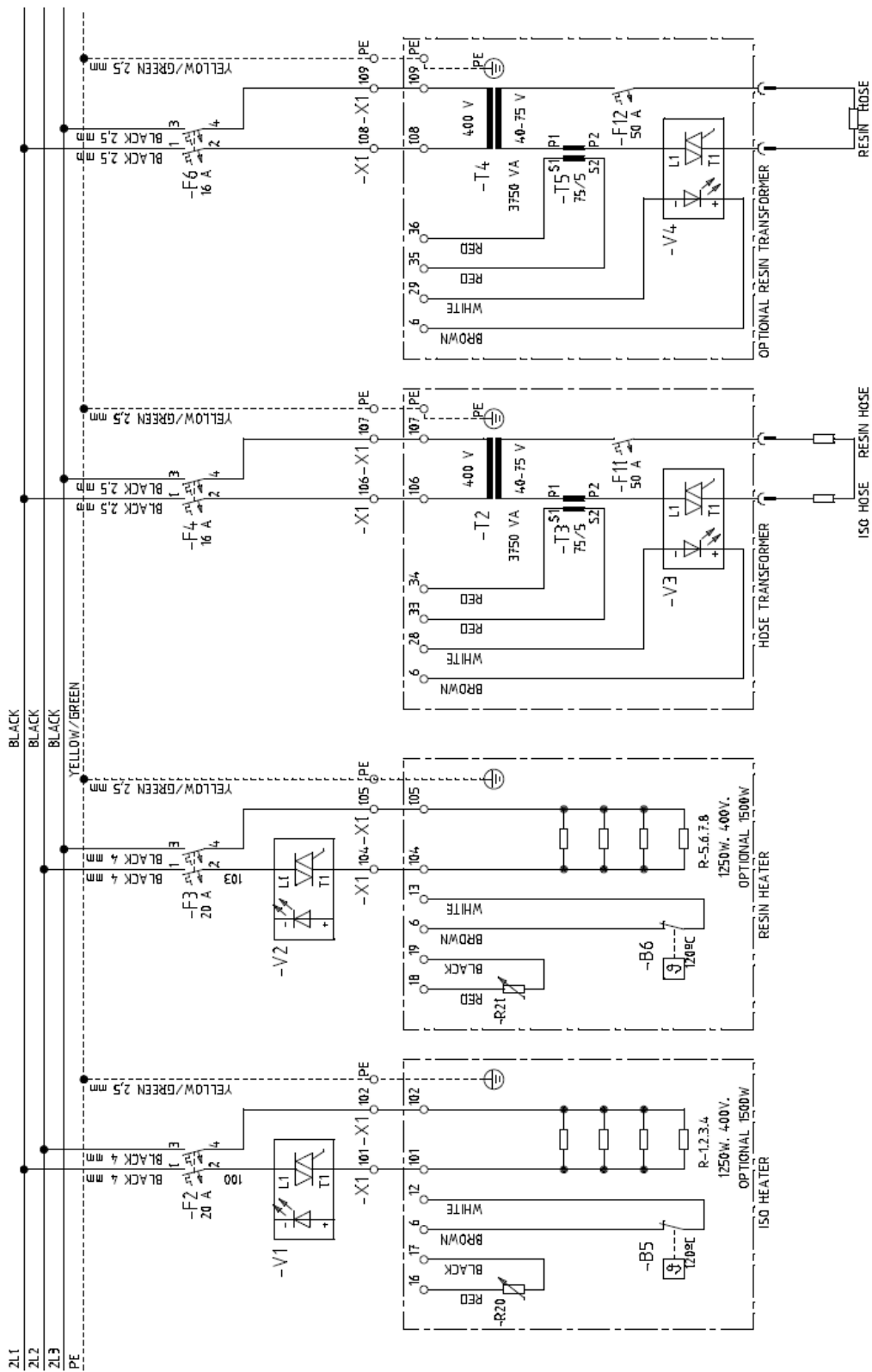


Figure 19. Elec. Schem. 3PE~400V 50/60Hz Standard Version (Sheet 2/7)

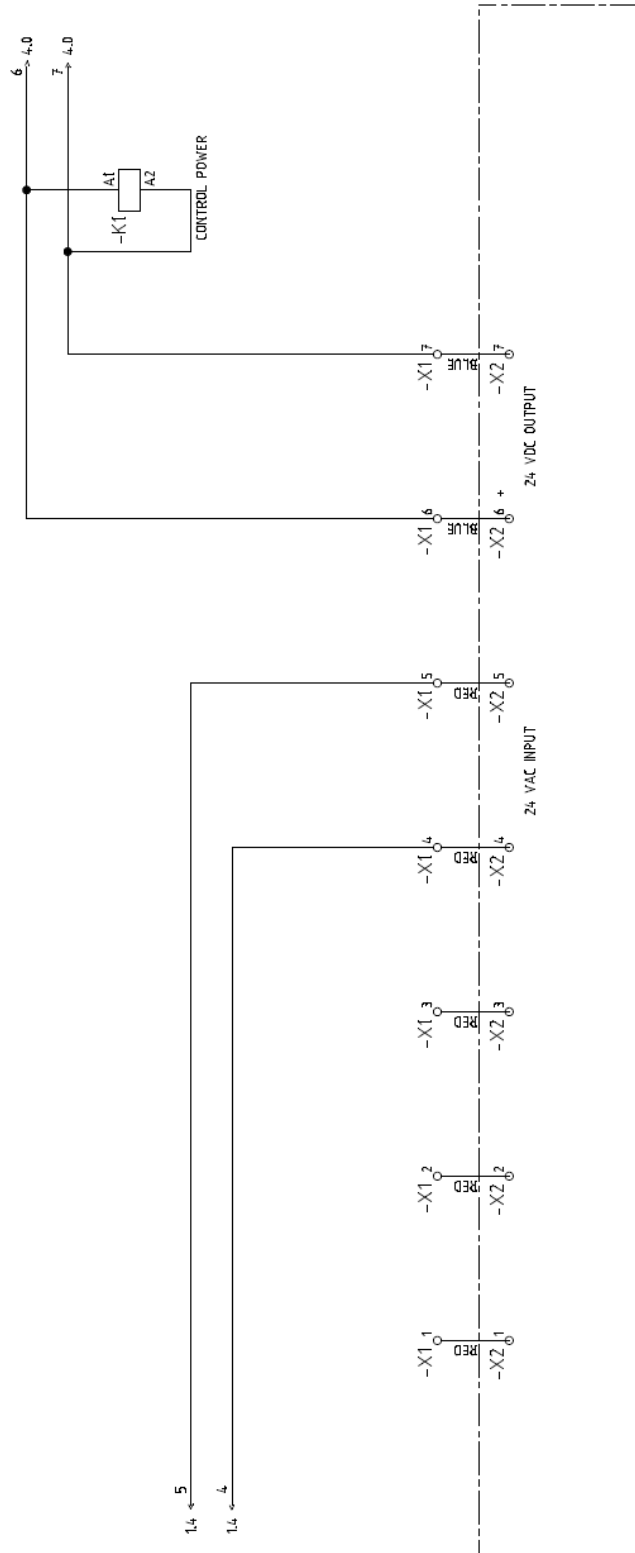


Figure 20. Elec. Schem. 3PE~400V 50/60Hz Standard Version (Sheet 3/7)

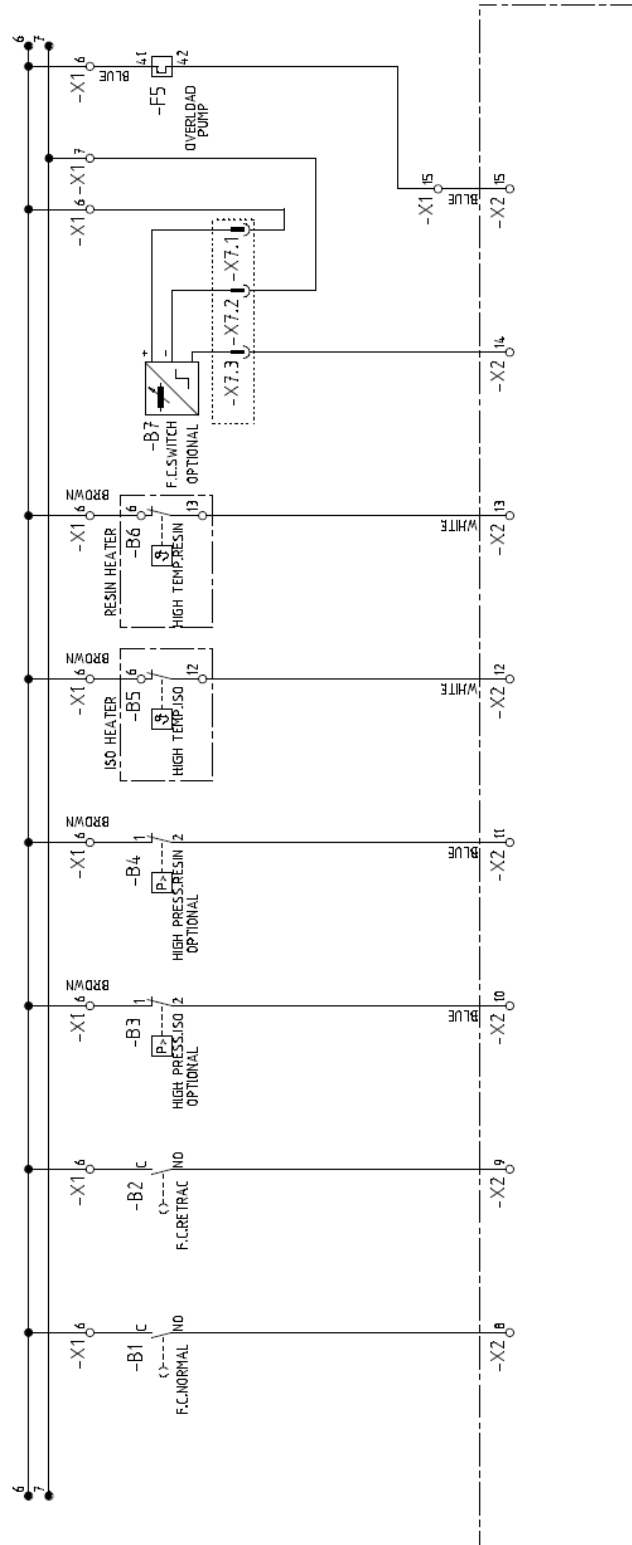


Figure 21. Elec. Schem. 3PE~400V 50/60Hz Standard Version (Sheet 4/7)

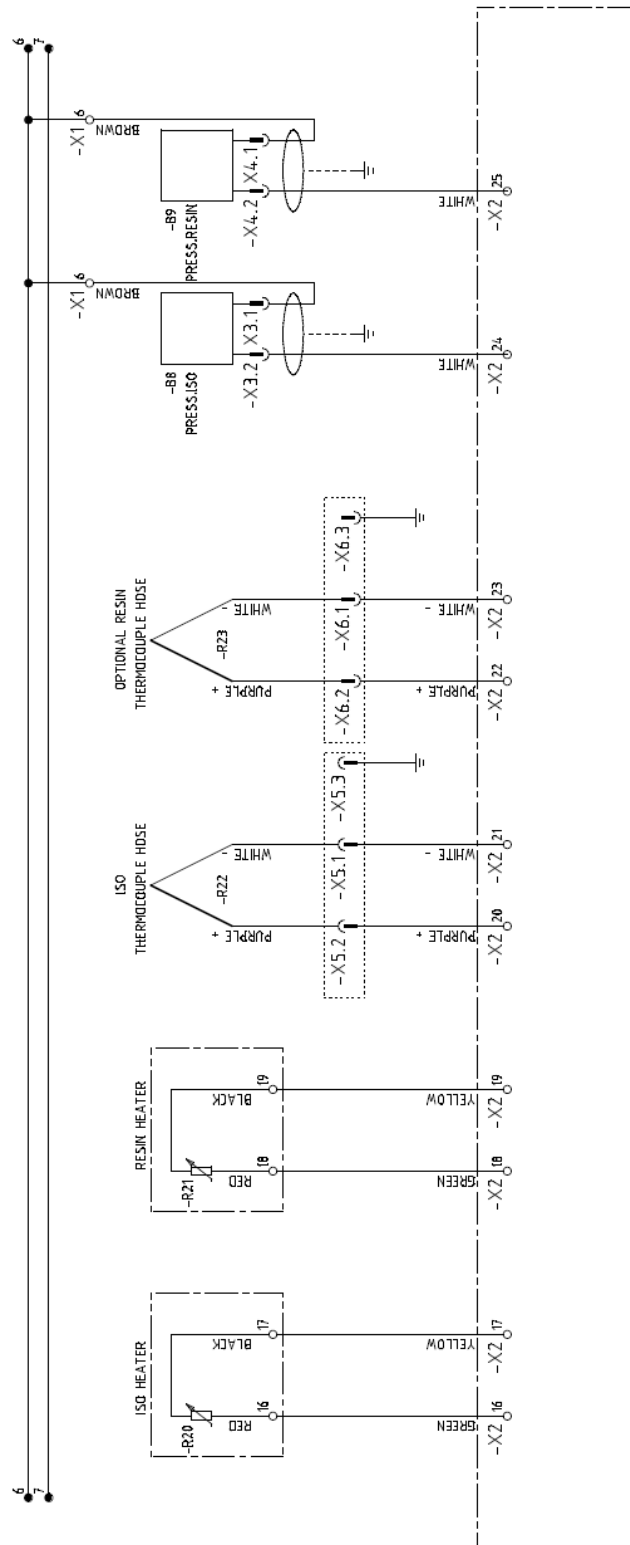


Figure 22. Elec. Schem. 3PE~400V 50/60Hz Standard Version (Sheet 5/7)

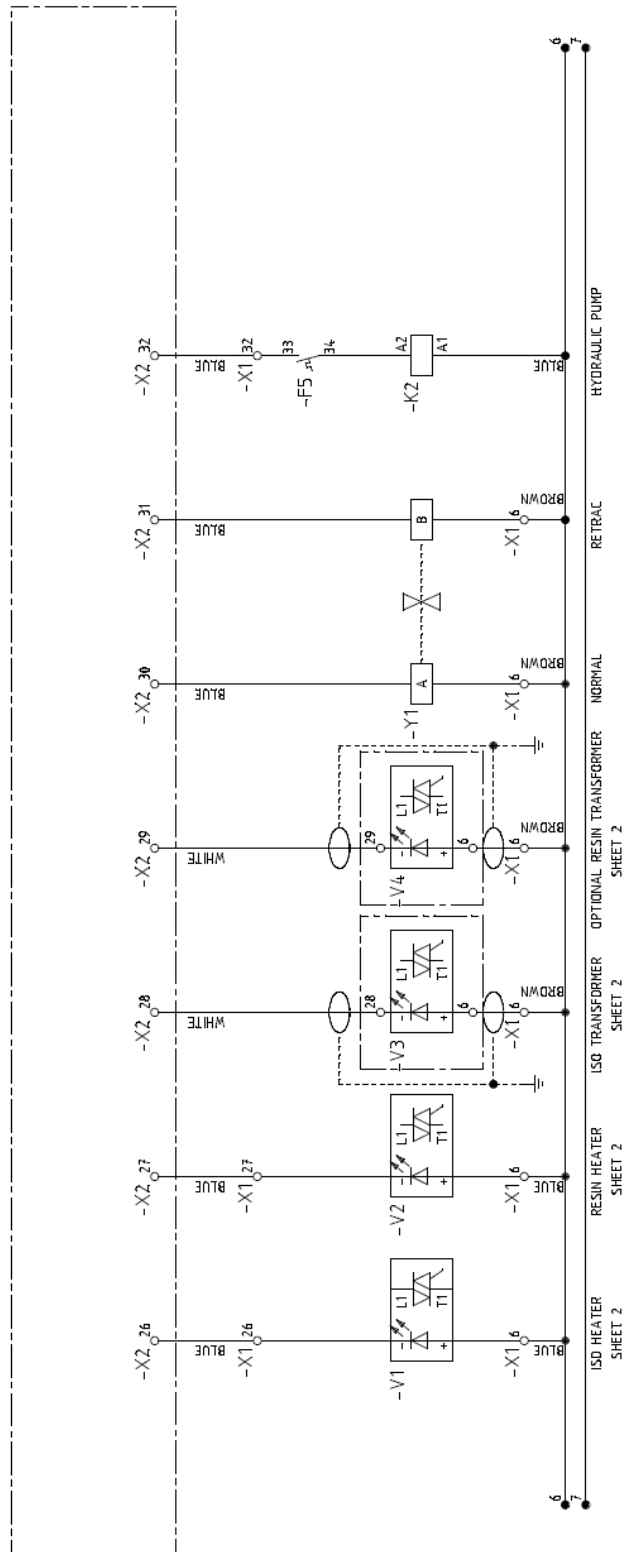


Figure 23. Elec. Schem. 3PE~400V 50/60Hz Standard Version (Sheet 6/7)

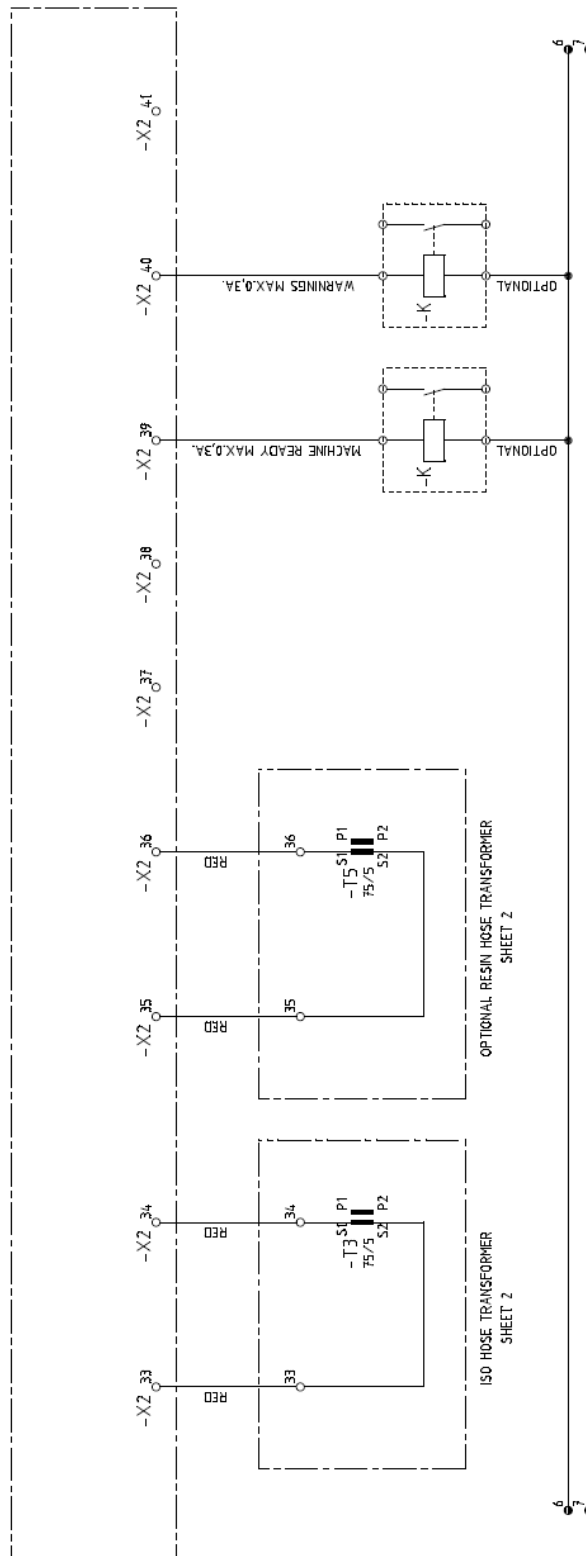


Figure 24. Elec. Schem. 3PE~400V 50/60Hz Standard Version (Sheet 7/7)



Table 32. Electrical Schematic 3PE~400V 50/60Hz Standard Version, Parts List

Ref.	Description	Reference	Qty
F10	Fusible point	EL-00104-13	1
F10	Fuse	EL-00128-03	2
I1	Switch	EL-00107-07	1
I1	Control Red Yellow	EL-00107-06	1
T1	Transformer	EL-00127-02	1
D1	Differential Switch	EL-00108-04	1
F1	Circuit Breaker	EL-00109-04	1
F2	Circuit Breaker	EL-00113-04	1
F3	Circuit Breaker	EL-00113-04	1
F4	Circuit Breaker	EL-00112-04	1
F5	Circuit Breaker	EL-00119-04	1
F5	Auxiliary Contactor	EL-00119-03	1
T3	Intensity Transformer	EL-00127-03	1
V1	Static Relay	EL-00126-03	1
V2	Static Relay	EL-00126-03	1
V3	Triac	EL-00126-02	1
K1	Contactor	EL-00123-02	1
K2	Contactor	EL-00121-02	1
	Resistance	EL-00129-01	1
X1	Terminal Strip	EL-00105-06	1
	Cable with Male Connector TSU (ISO)	EL-00142-00	1
	Hood	EL-00096-21	1

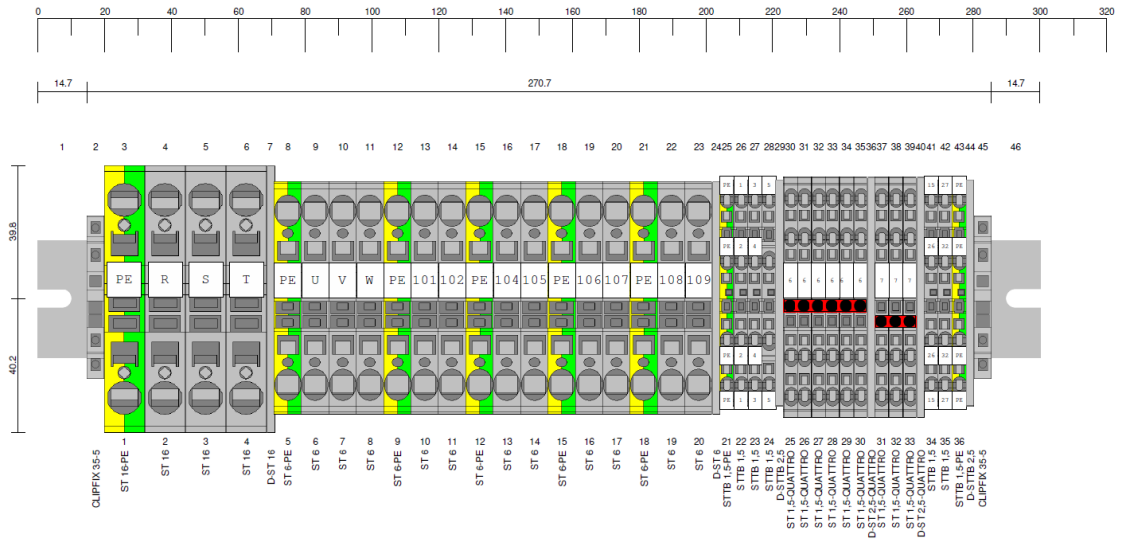


Figure 25. Distribution 3PE~400V 50/60Hz

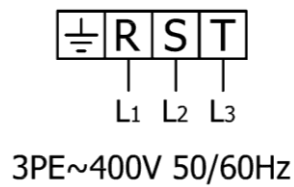


Figure 26. Connection 3PE~400V 50/60Hz



ELECTRICAL SCHEMATIC DIAGRAM 3PE~230V 60Hz

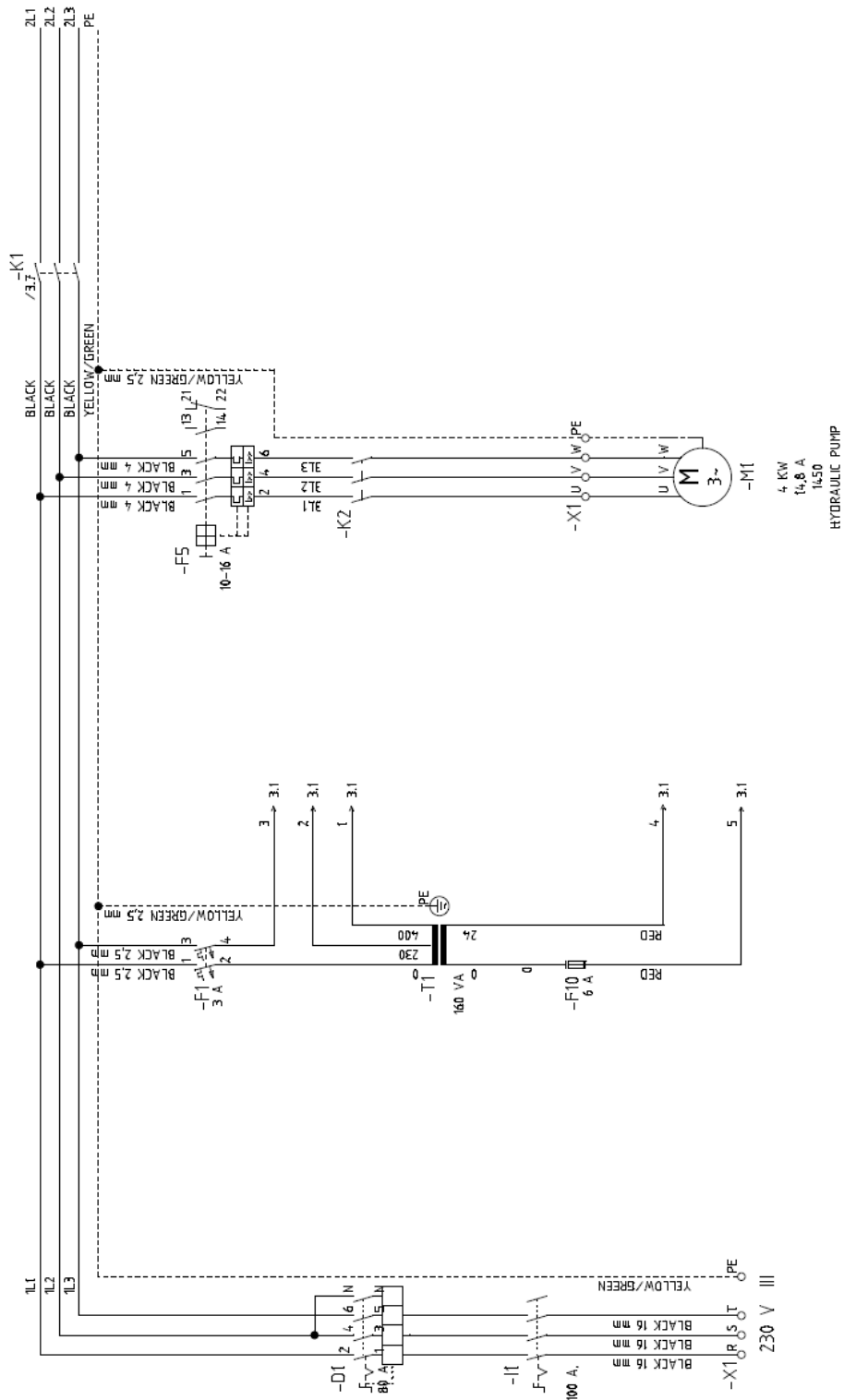


Figure 27. Elec. Schem. 3PE~230V 60Hz Standard Version (Sheet 1/7)

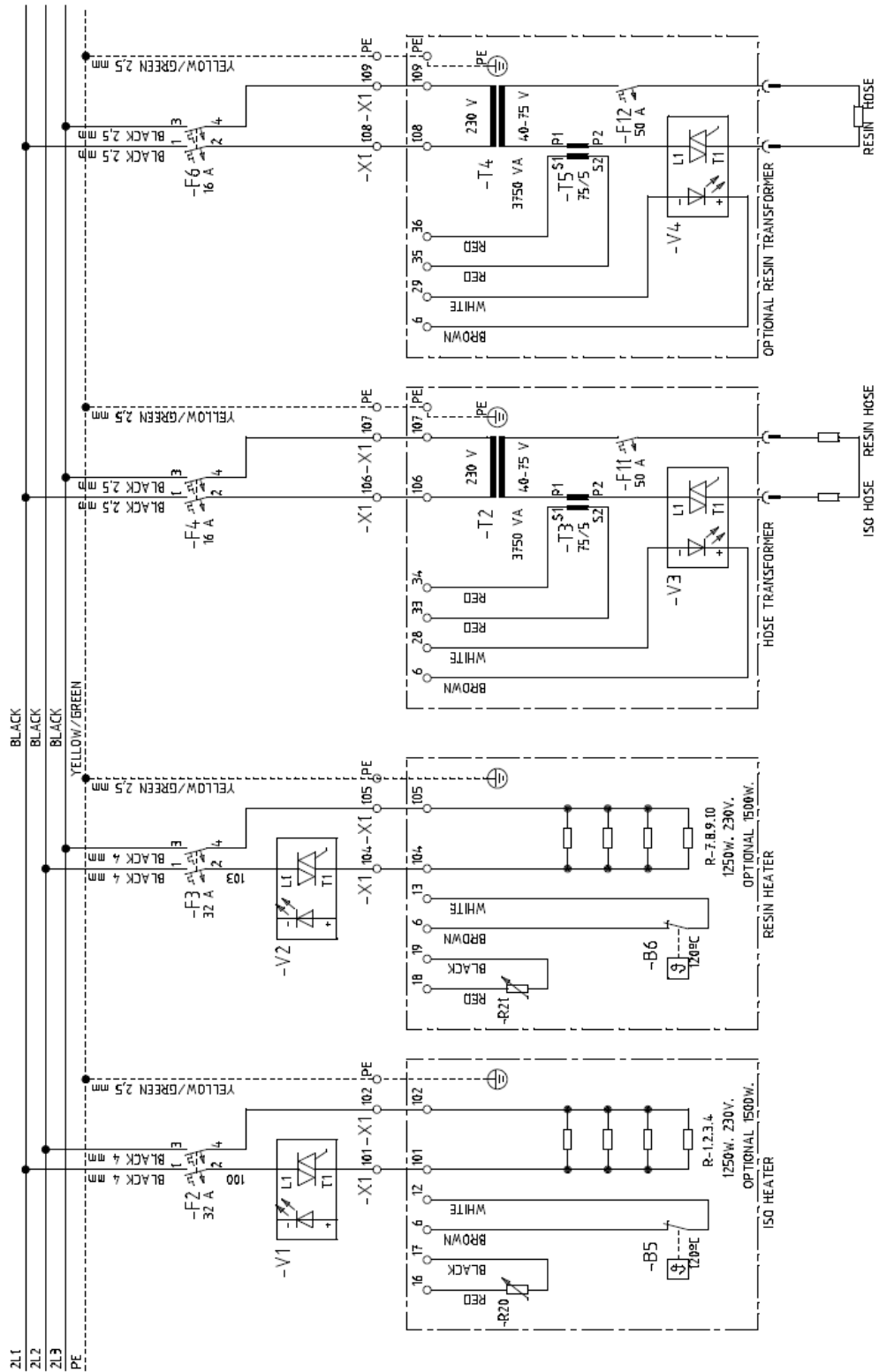


Figure 28. Elec. Schem. 3PE~230V 60Hz Standard Version (Sheet 2/7)

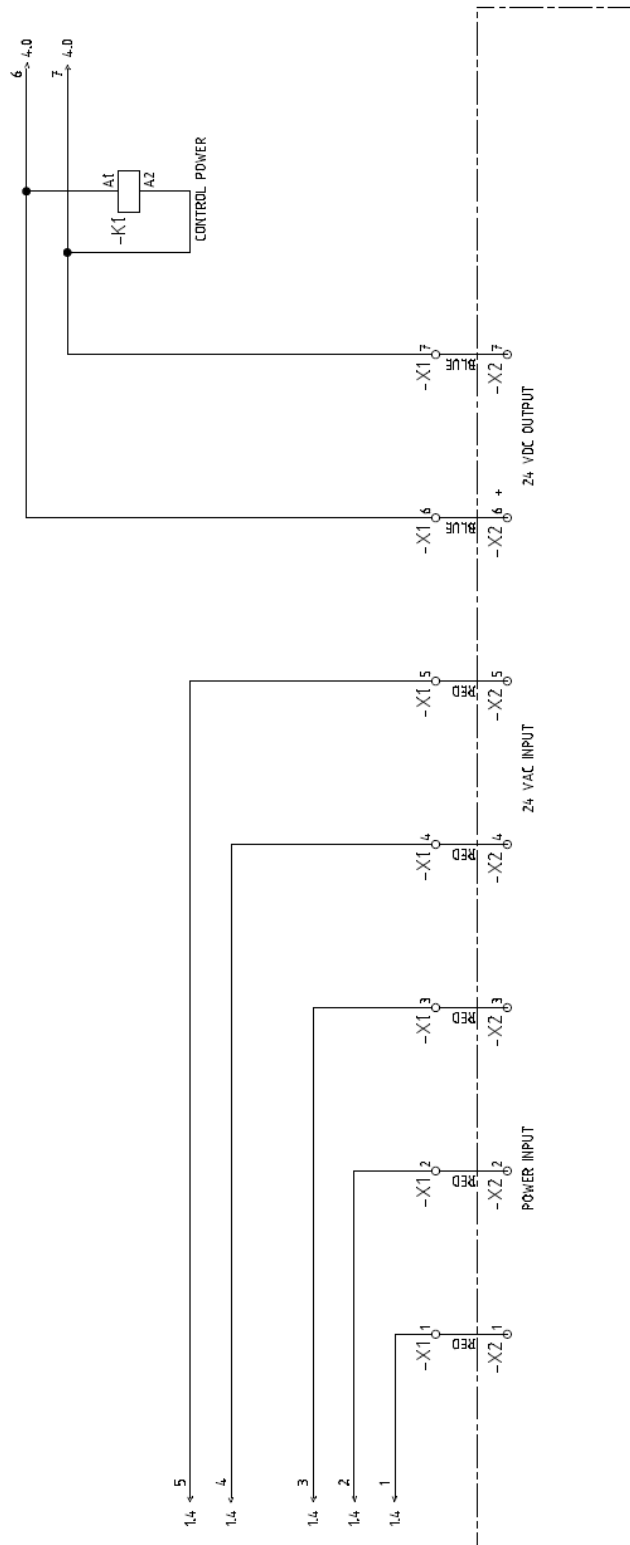


Figure 29. Elec. Schem. 3PE~230V 60Hz Standard Version (Sheet 3/7)

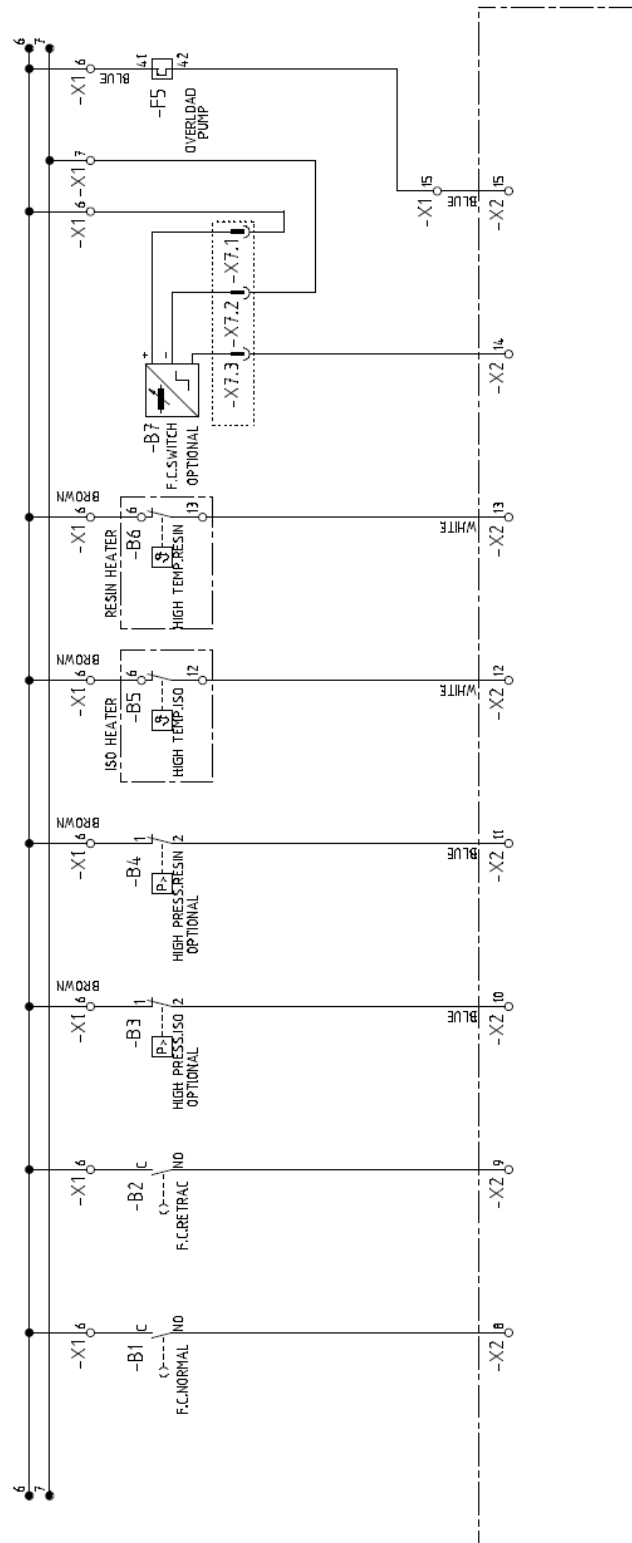


Figure 30. Elec. Schem. 3PE-230V 60Hz Standard Version (Sheet 4/7)

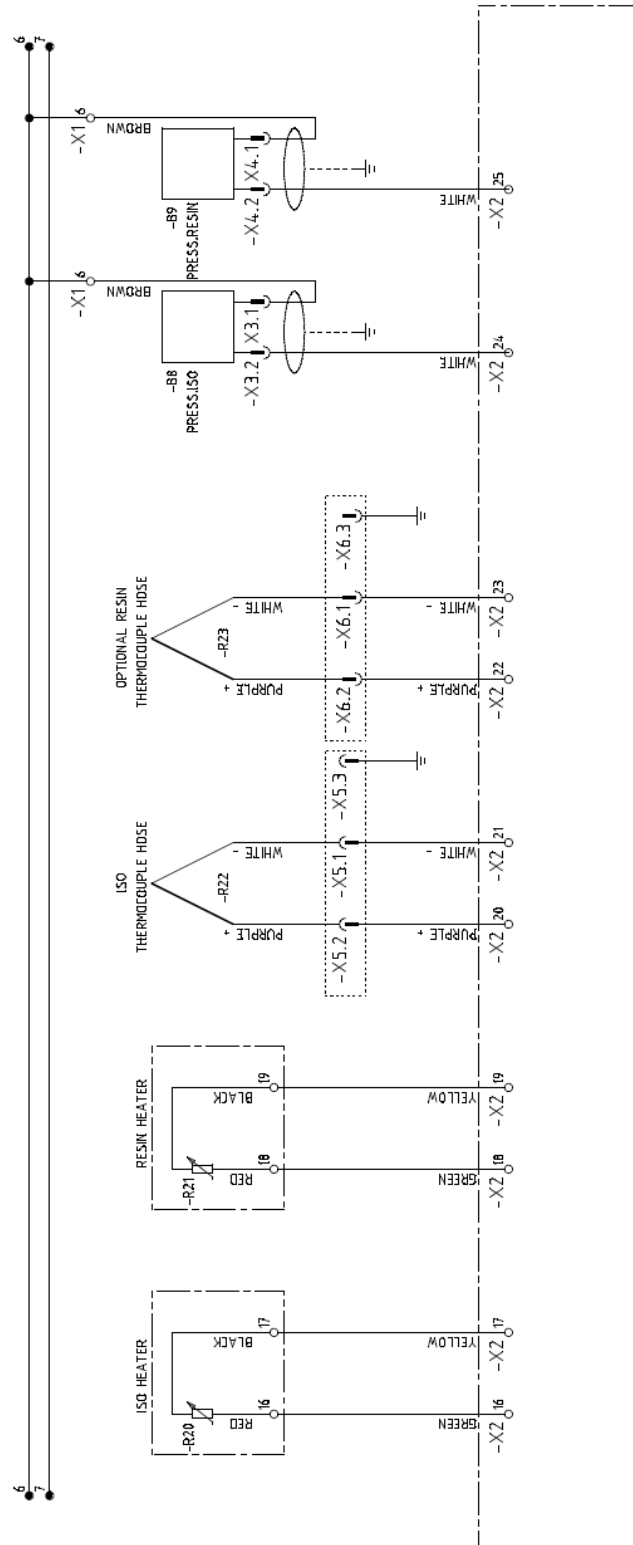


Figure 31. Elec. Schem. 3PE~230V 60Hz Standard Version (Sheet 5/7)

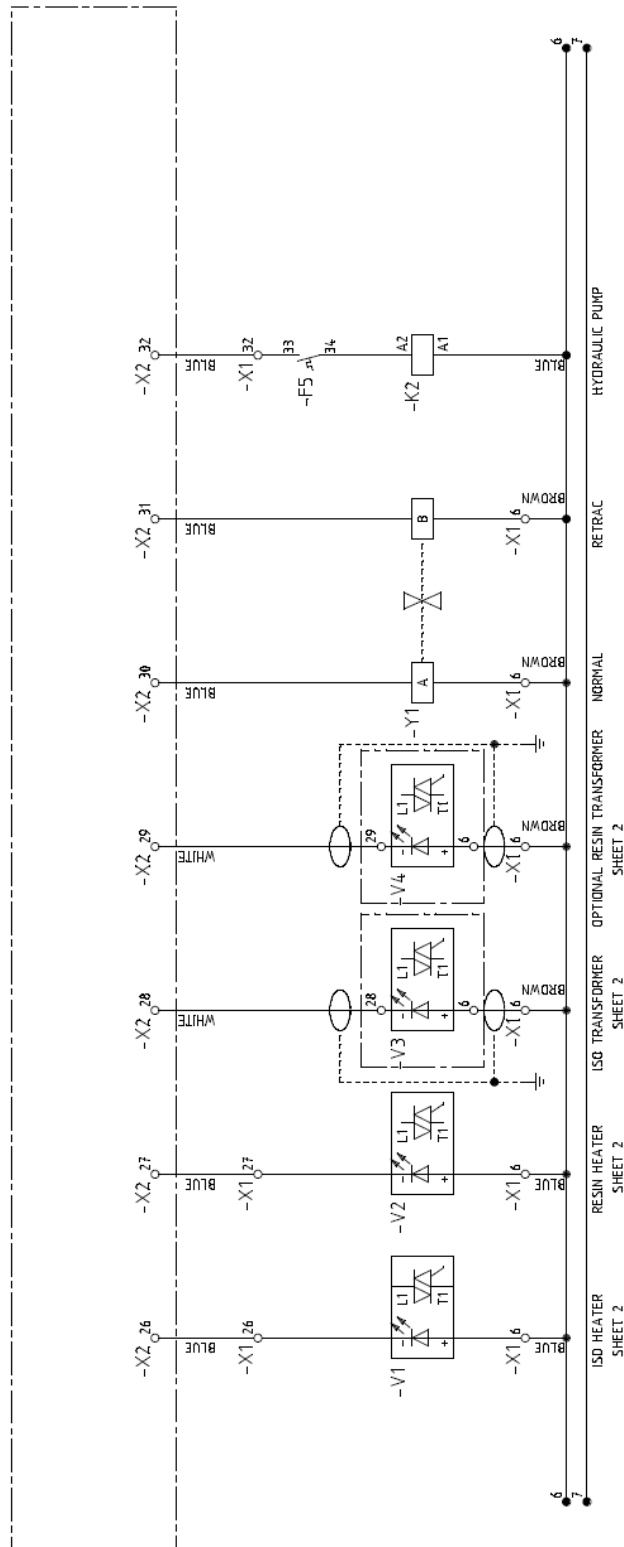


Figure 32. Elec. Schem. 3PE~230V 60Hz Standard Version (Sheet 6/7)

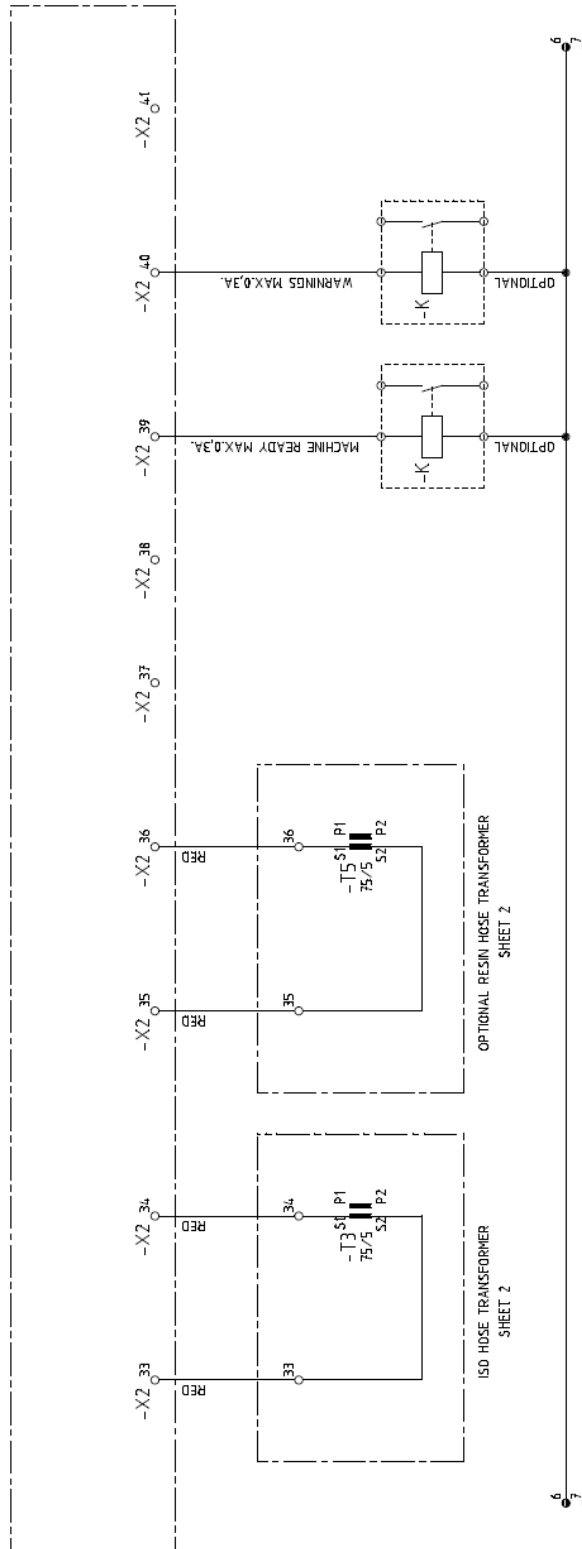


Figure 33. Elec. Schem. 3PE~230V 60Hz Standard Version (Sheet 7/7)

**Table 33. Electrical Schematic 3PE~230V 60Hz Standard Version, Parts List**

Ref.	Description	Reference	Qty
F10	Fusible point	EL-00104-13	1
F10	Fuse	EL-00128-03	2
I1	Switch	EL-00107-08	1
I1	Control Red Yellow	EL-00107-06	1
T1	Transformer	EL-00127-02	1
D1	Differential Switch	EL-00108-05	1
F1	Circuit Breaker	EL-00109-04	1
F2	Circuit Breaker	EL-00115-03	1
F3	Circuit Breaker	EL-00115-03	1
F4	Circuit Breaker	EL-00112-12	1
F5	Circuit Breaker	EL-00119-05	1
F5	Auxiliary Contactor	EL-00119-03	1
T3	Intensity Transformer	EL-00127-03	1
V1	Static Relay	EL-00126-03	1
V2	Static Relay	EL-00126-03	1
V3	Triac	EL-00126-02	1
K1	Contactor	EL-00123-02	1
K2	Contactor	EL-00121-02	1
K2	Varistor	EL-00120-03	1
X1	Terminal Strip	EL-00105-06	1
	Cable with Male Connector TSU (ISO)	EL-00142-00	1
	Hood	EL-00096-21	1

PNEUMATIC SCHEMATIC DIAGRAM

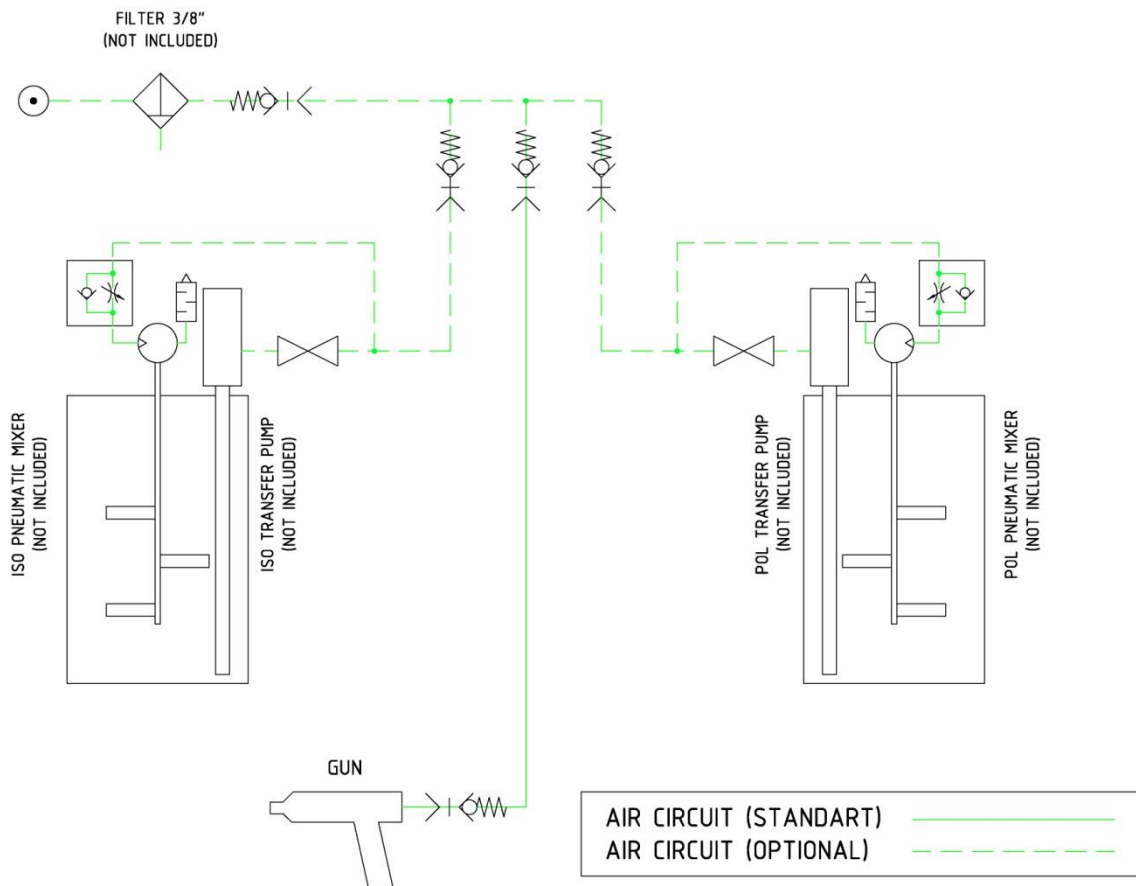


Figure 36. Pneumatic Schematic Diagram



HYDRAULIC SCHEMATIC DIAGRAM

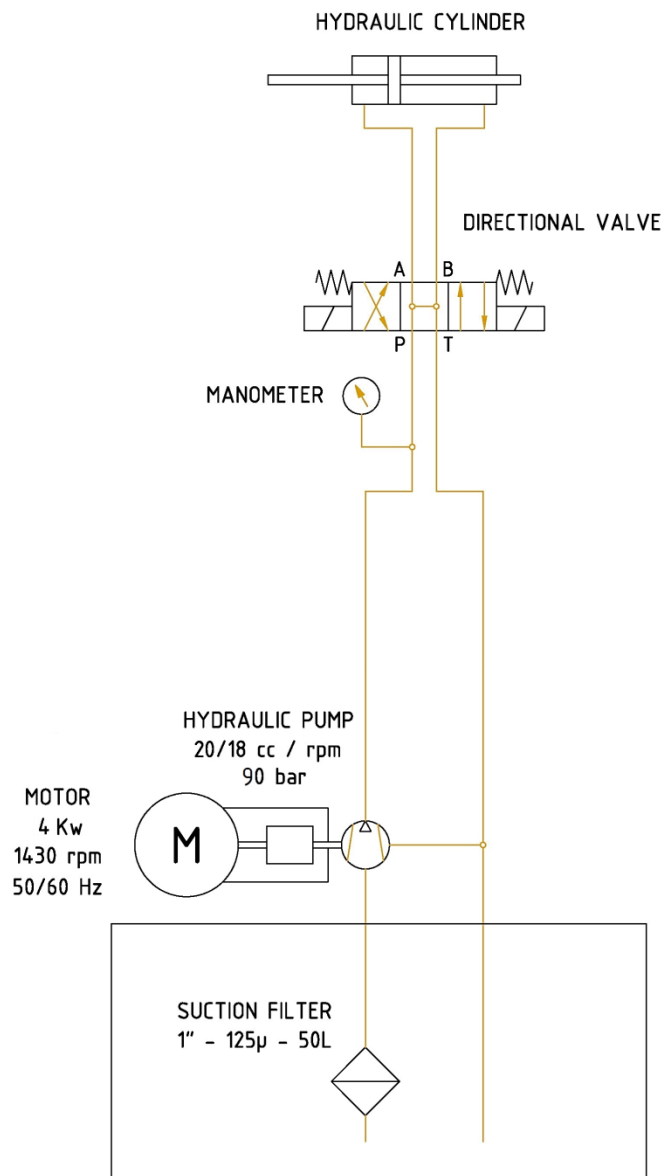


Figure 37. Hydraulic Schematic Diagram

FUNCTIONING SCHEMATIC DIAGRAM

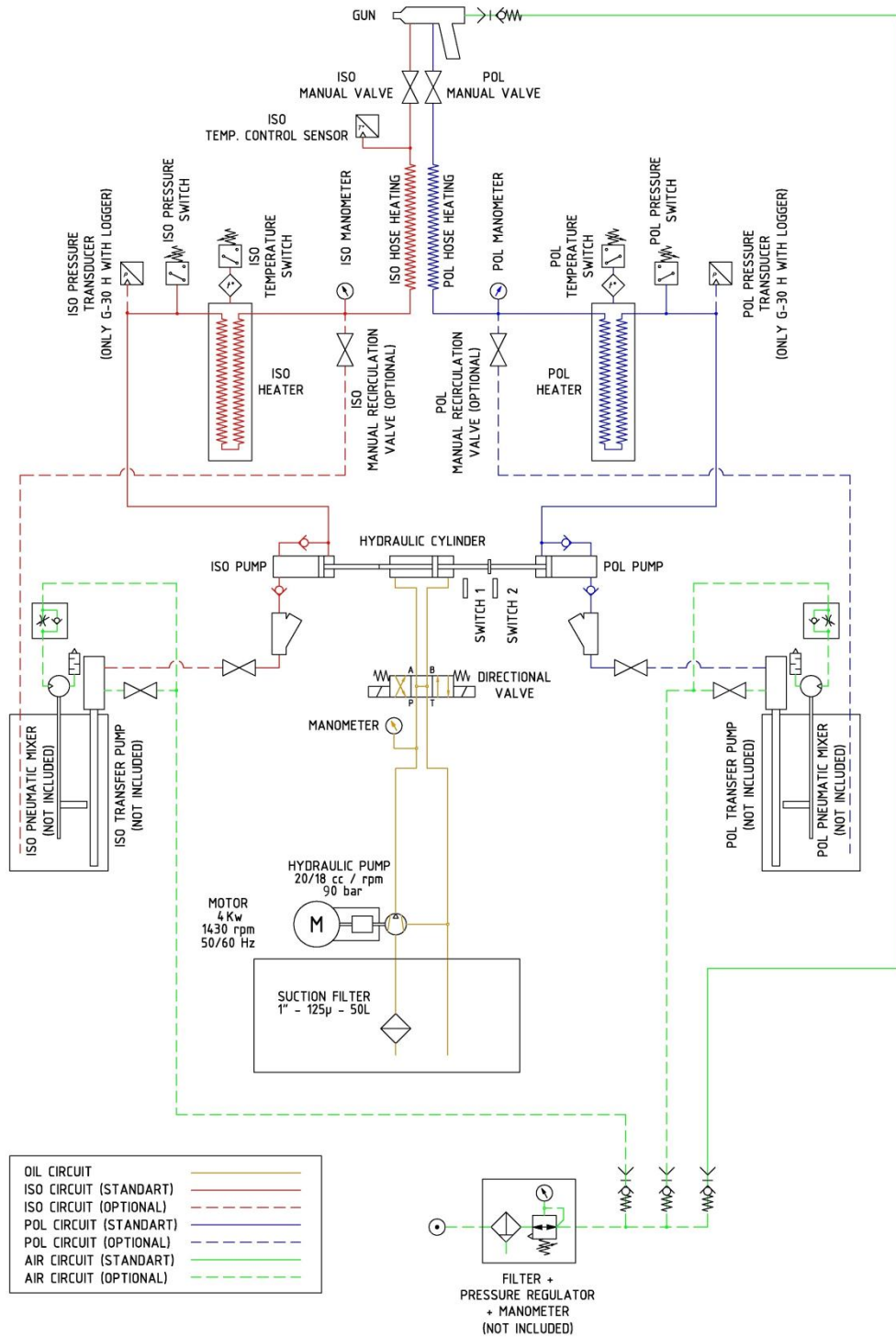


Figure 38. Functioning Schematic Diagram



TABLE OF CONTENTS

Warranty _____	2
Safety and Handling _____	3
Proportioning Unit evolution G-35 H Model _____	5
Electrical Console _____	9
Hydraulic Manifold with 4k WMotor 3PE~400V/230V 50/60hz (18cc hyd. Pump) _____	11
Hydraulic Manifold with 4kW Motor 3PE~400V/230V 50/60hz (20cc hyd. Pump) _____	15
Reversing Switch _____	19
Lube Reservoir Hose Assembly _____	20
Pump Line Assembly _____	22
Hydraulic Cylinder with Spacers _____	25
“A” Proportioning Pump Assembly _____	27
“R” Proportioning Pump Assembly _____	30
“A” Standard Primary Heater _____	33
“R” Standard Primary Heater _____	36
Recirculation Kit P#: KT-00038 _____	39
Recirculation Kit P#: KT-00038-01 _____	40
Recirculation Kit P#: KT-00038-03 _____	42
Electrical Schematic Diagram 3PE~400V 50/60hz _____	44
Electrical Schematic Diagram 3PE~230V 60hz _____	53
Pneumatic Schematic Diagram _____	62
Hydraulic Schematic Diagram _____	63
Functioning Schematic Diagram _____	64
Table of Contents _____	65
List of Illustrations _____	66
List of Tables _____	67



LIST OF ILLUSTRATIONS

Figure 1. Proportioning Unit evolution G-35 H Model	5
Figure 2. Electrical Console evolution G-35 H	9
Figure 3. Hydraulic Manifold 3PE~400V/230V 50/60Hz, 4kW Motor (with 18cc Pump), Exploded View	11
Figure 4. Hydraulic Manifold 3PE~400V/230V 50/60Hz, 4kW Motor (with 20cc Pump), Exploded View	15
Figure 5. Reversing Switch Assy., Exploded View	19
Figure 6. Lube Reservoir Hose Assembly, Exploded View	20
Figure 7. Pump Line Assembly, Exploded View	22
Figure 8. Hydraulic Cylinder with Spacers, Exploded View	25
Figure 9. "A" Proportioning Pump Assembly, Exploded View	27
Figure 10. "R" Proportioning Pump Assembly, Exploded View	30
Figure 11. "A" Standard Primary Heater, Exploded View	33
Figure 12. "A" Standard Primary Heater, Exploded View	35
Figure 13. "R" Standard Primary Heater	36
Figure 14. "R" Standard Primary Heater, Exploded View	38
Figure 15. Recirculation Kit P#: KT-00038, Exploded View	39
Figure 16. Recirculation Kit P#: KT-00038-01, Exploded View	40
Figure 17. Recirculation Kit P#: KT-00038-03, Exploded View	42
Figure 18. Elec. Schem. 3PE~400V 50/60Hz Standard Version (Sheet 1/7)	44
Figure 19. Elec. Schem. 3PE~400V 50/60Hz Standard Version (Sheet 2/7)	45
Figure 20. Elec. Schem. 3PE~400V 50/60Hz Standard Version (Sheet 3/7)	46
Figure 21. Elec. Schem. 3PE~400V 50/60Hz Standard Version (Sheet 4/7)	47
Figure 22. Elec. Schem. 3PE~400V 50/60Hz Standard Version (Sheet 5/7)	48
Figure 23. Elec. Schem. 3PE~400V 50/60Hz Standard Version (Sheet 6/7)	49
Figure 24. Elec. Schem. 3PE~400V 50/60Hz Standard Version (Sheet 7/7)	50
Figure 25. Distribution 3PE~400V 50/60Hz	52
Figure 26. Connection 3PE~400V 50/60Hz	52
Figure 27. Elec. Schem. 3PE~230V 60Hz Standard Version (Sheet 1/7)	53
Figure 28. Elec. Schem. 3PE~230V 60Hz Standard Version (Sheet 2/7)	54
Figure 29. Elec. Schem. 3PE~230V 60Hz Standard Version (Sheet 3/7)	55
Figure 30. Elec. Schem. 3PE~230V 60Hz Standard Version (Sheet 4/7)	56
Figure 31. Elec. Schem. 3PE~230V 60Hz Standard Version (Sheet 5/7)	57
Figure 32. Elec. Schem. 3PE~230V 60Hz Standard Version (Sheet 6/7)	58



Parts Manual

Figure 33. Elec. Schem. 3PE~230V 60Hz Standard Version (Sheet 7/7) _____ 59
 Figure 34. Distribution 3PE~230V 60Hz _____ 61
 Figure 35. Connection 3PE~230V 60Hz _____ 61
 Figure 36. Pneumatic Schematic Diagram _____ 62
 Figure 37. Hydraulic Schematic Diagram _____ 63
 Figure 38. Functioning Schematic Diagram _____ 64

LIST OF TABLES

Table 1. Proportioning Unit Evolution G-35 H Model, Parts List _____ 6
 Table 2. Hose Transformer Reference List _____ 6
 Table 3. A-Primary Heater Reference List _____ 7
 Table 4. R-Primary Heater Reference List _____ 7
 Table 5. Electrical Console Reference List _____ 8
 Table 6. Electrical Console evolution G-35 H Model, Parts List _____ 10
 Table 7. Bezel Components Assembly _____ 10
 Table 8. Hydraulic Manifold with 4kW Motor 3PE~400V/230V 50/60Hz (with 18cc Pump),
 Parts List _____ 12
 Table 9. Hydraulic Manifold with 4kW Motor 3PE~400V/230V 50/60Hz (with 20cc Pump),
 Parts List _____ 16
 Table 10. Reversing Switch Assy., Parts List _____ 19
 Table 11. Lube Reservoir Hose Assembly, Parts List _____ 21
 Table 12. Pump Line Assembly, Parts List _____ 23
 Table 13. Proportioning Pump Size, Parts _____ 24
 Table 14. Hydraulic Cylinder with Spacers, Parts List _____ 26
 Table 15. “A” Proportioning Pump Assembly, Parts List _____ 28
 Table 16. “A” Proportioning Pump Assembly, Parts List _____ 29
 Table 17. Seals Monobloc “A” Pump _____ 29
 Table 18. Repair Seal Kit “A” Pump _____ 29
 Table 19. “R” Proportioning Pump Assembly, Parts List _____ 31
 Table 20. “R” Proportioning Pump Assembly, Parts List _____ 32
 Table 21. Seals Monobloc “R” Pump _____ 32
 Table 22. Repair Seal Kit “R” Pump _____ 32
 Table 23. “A” Standard Primary Heater, Parts List _____ 34
 Table 24. Parts List of Variable Components for “A” Primary heater _____ 35
 Table 25. “A” Heat Resistance Reference List _____ 35



Table 26. "R" Standard Primary Heater, Parts List	37
Table 27. Parts List of Variable Components for "R" Primary heater	38
Table 28. "R" Heat Resistance Reference List	38
Table 29. Recirculation Kit evolution, Parts List	39
Table 30. Recirculation Kit #KT-00038-01, Parts List	41
Table 31. Recirculation Kit #KT-00038-03, Parts List	43
Table 32. Electrical Schematic 3PE~400V 50/60Hz Standard Version, Parts List	51
Table 33. Electrical Schematic 3PE~230V 60Hz Standard Version, Parts List	60