



# Service Manual

## Spray Unit

### ESH150-3PE~400V

Issue 1.0 30/05/22

Ref. NR-000144-ENG



***Before preparing the unit and starting it up, please take the time to read all the technical and safety instructions in this manual. It is essential that you follow these instructions carefully so that you can handle and use the unit properly. These instructions are intended to maximize user safety and avoid malfunctions deriving from the incorrect use of the unit.***



## WARRANTY

HI-TECH SPRAY EQUIPMENT, S. A. (hereinafter "HI-TECH") grants this Limited Guarantee to the original buyer (hereinafter the "Client") for the unit and the original accessories given with the unit (hereinafter the "Product") against any fault in the design, materials or manufacture of the Product at the time of the first purchase by the user and for a duration of two (2) years thereafter.

If during the guarantee period and under normal conditions of use, the Product should fail to work correctly due to defects of design, material or manufacture, the authorised distributor of the country where the HI-TECH Product or technical assistance service has been purchased shall repair or replace the Product in accordance with what is established in the following:

### CONDITIONS

- a) The validity of this guarantee will be subject to the presentation of the original invoice issued by the HI-TECH authorised distributor for the sale of the Product along with the Product handed over for repair or replacement, which must show the date of purchase and the serial number. HI-TECH reserves the right to refuse to give the guarantee service when the indicated data fail to appear on the invoice or have been modified after the purchase of the Product.
- b) The repaired or replaced Product will continue to maintain the original guarantee for the time remaining until the end of the guarantee or for three (3) months from the repair date, if the remaining period of the original guarantee were shorter.
- c) This guarantee will not be applied to the faults in the Product caused by its faulty installation, the natural wear and tear of the components, any use other than that considered normal for this Product or which should fail to strictly comply with the instructions of use provided by HI-TECH; due to accident, carelessness, adjustments, alterations or modifications of the Product not authorised by HI-TECH or due to the use of accessories, heating devices, pumping equipment and/or dispensers that have not been approved or manufactured by HI-TECH.
- d) The guarantee applicable to the components and accessories forming part of the Product and which have not been made by HI-TECH will be limited to the guarantee offered by the original manufacturer thereof.

**HI-TECH WILL NOT RECOGNISE ANY EXPRESS ORAL OR WRITTEN GUARANTEES OTHER THAN THIS PRINTED LIMITED GUARANTEE. ALL IMPLICIT GUARANTEES, INCLUDING, WITHOUT LIMIT, ADAPTATION FOR A SPECIFIC USE, ARE SUBJECT TO THE DURATION OF THIS WRITTEN GUARANTEE. HI-TECH DOES NOT ASSUME ANY KIND OF COMMITMENT OR RESPONSIBILITY FOR ALL POSSIBLE DAMAGE OR EXPENSE CAUSED BY FAULTS IN THE OUTPUT OF THE PRODUCT, ITS WORKING OR THE DISPENSING OF MATERIAL THROUGH THE PRODUCT, INCLUDING, WITHOUT LIMITATION, ALL EXPENSES CAUSED BY DAMAGE TO PEOPLE OR PROPERTY. EQUALLY, HI-TECH WILL IN NO CASE ACCEPT LIABILITY FOR THE LOSS OF SPECULATIVE PROFITS OR COMMERCIAL LOSSES. ALL REPAIRS OR REPLACEMENT OF FAULTY PRODUCTS WILL CONSTITUTE THE COMPREHENSIVE FULFILMENT OF HI-TECH'S OBLIGATIONS WITH RESPECT TO THE CLIENT. HI-TECH DOES NOT IN ANY WAY GUARANTEE THE SUITABILITY OR APTITUDE OF ITS PRODUCT FOR ANY PARTICULAR PURPOSE OR APPLICATION.**

All information provided on components which have not been manufactured by HI-TECH and which is based on reports received from the original manufacturer, though considered precise and reliable, is provided without any guarantee or responsibility of any explicit or implicit kind.

All concession, sale or financial leasing of the Product by HI-TECH in no case explicitly or implicitly constitutes any authorisation, acceptance or concession for the use of any rights or patents, nor does it encourage, nurture or back their infringement.

The restrictions on the guarantee suppose no limitation on the legal rights of the consumer established in applicable national legislation, nor do they affect any rights derived from the bargain and sale agreement between the consumer and supplier.

All information provided in this manual has been included in the confidence that it is true, although it does not constitute any responsibility or implicit or explicit guarantee. HI-TECH reserves the right at any time and without prior warning to make all improvements and modifications necessary to this manual, in order to rectify any possible typographical errors, increase the information contained or insert the changes caused to the characteristics and performance of the unit.



## SAFETY AND HANDLING

The equipment described in this manual has been designed and manufactured in compliance with the following European Directives, following as application guide the harmonized standards detailed and in conformity with the relevant UK Statutory Instruments (and their amendments):

**Directive 2006/42/EC on machinery (UK Supply of Machinery (Safety) Regulations 2008)**

UNE EN 12100:2012 (BS EN ISO 12100:2010)

**Directive 2014/30/EU on electromagnetic compatibility (UK Electromagnetic Compatibility Regulations 2016)**

UNE EN 55011 (BS UNE EN 55011)

UNE EN 55016-2-1 (BS UNE EN 55016-2-1); UNE EN 55016-2-3 (BS UNE EN 55016-2-3);  
UNE EN 55032 (BS UNE EN 55032)

UNE EN 61000-3-2 (BS UNE EN 61000-3-2); UNE EN 61000-3-3 (BS UNE EN 61000-3-3);  
UNE EN 61000-4-2 (BS UNE EN 61000-4-2); UNE EN 61000-4-3 (BS UNE EN 61000-4-3);  
UNE EN 61000-4-4 (BS UNE EN 61000-4-4); UNE EN 61000-4-5 (BS UNE EN 61000-4-5);  
UNE EN 6100-4-6 (BS UNE EN 6100-4-6); UNE EN 61000-4-8 (BS UNE EN 61000-4-8); UNE  
EN 61000-4-11 (BS UNE EN 61000-4-11)

**Directive 2014/68/EU on pressure equipment (UK Pressure Equipment (Safety) Regulations 2016)**

UNE EN 809:1999 +A1 (BS EN 809:1998 +A1:2009)

**Directive 2014/35/EU on electrical safety (UK Electrical Equipment (Safety) Regulations 2016)**

UNE EN 60204-1:2019 (BS EN 60204-1:2018)

**Directive 2003/10/EC on noise level (UK The Control of Noise at Work Regulations 2005)**

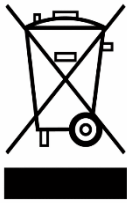
UNE EN ISO 3740 (BS EN ISO 3740:2019)

UNE EN ISO 3746 (BS EN ISO 3746:2010)

**Directive 2011/65/EU on the restriction of the use of certain hazardous substances in electrical and electronic equipment with amendment 2015/863/EU (UK The Restriction of the Use of Certain Hazardous Substances in Electrical and Electronic Equipment Regulations 2012)**

**Directive 2012/19/EU on waste electrical and electronic equipment (UK The Waste Electrical and Electronic Equipment Regulations 2013)**





Electrical products cannot be thrown out with the rubbish. They must be taken to a dedicated collection point for an environmentally sound disposal in accordance with local regulations. You must contact your local collective or retailer for information about recycling. Before leaving WEEE at appropriate collection facilities, batteries must be removed and disposed of separately for proper recycling. The packaging materials are recyclable. Dispose of packaging materials in an environmentally sound manner and place them at the disposal of recycling

sectors.

### TRANSPORT AND STORAGE

Proper precautions must be taken so that the equipment can withstand the effects of transport and storage temperatures between -25°C and +55°C or up to +70°C for short periods that do not exceed 24 hours. Also, appropriate means to prevent damage from moisture, vibrations or shocks must be foreseen.

This section contains important information on the safe handling and operation of the easy spray-H proportioning unit.



***Before preparing the unit and starting it up, please take the time to read all the technical and safety instructions in this manual. It is essential that you follow these instructions carefully so that you can handle and use the unit properly. These instructions are intended to maximize user safety and avoid malfunctions deriving from the incorrect use of the unit.***

A **DANGER!** indication alerts you to situations which may result in serious injury if the instructions are not followed.

A **WARNING!** indication gives information on how to avoid damaging the unit and situations likely to cause minor injury.

A **NOTE** indication provides useful information on the procedure in question.

Read this manual carefully to familiarize yourself with the unit's characteristics and operating procedures. By following the instructions and recommendations contained in this manual you will reduce the risk of accidents in the preparation, use and maintenance of the unit, ensuring incident-free operation for a longer time, improved performance and the quick and easy detection of problems.

Keep this Service Manual handy for reference at all times. If you lose this manual, ask for a new copy from your local **HI-TECH** distributor or directly contact **HI-TECH Spray Equipment, S.A.**

**WARNING!** *The easy spray-H proportioning unit is not designed for use in potentially explosive environments. Pressure and temperature must not exceed the limits indicated in the technical specifications of this manual.*



## Service Manual

When working with the unit, it is essential that you wear suitable clothing and personal protective equipment including but not limited to gloves, protective goggles, safety footwear and face masks. Use breathing equipment when working with the unit in enclosed spaces or in areas with insufficient ventilation. The safety measures given in in this manual are part of a wider safety procedure. Before powering up the unit, you must perform a comprehensive analysis of the risks associated with the products it dispenses, the type of application, and the working environment.



***To avoid bodily damage caused by the incorrect handling of the substances and solvents used with this unit, read carefully the safety information provided by their suppliers.***

***Dispose of waste as required by applicable legislation.***



***Disconnect the unit from the power supply before opening the electrical console.***

***Electrical maintenance should only be carried out by a qualified electrician.***



***To avoid exposure to pressurized fluids, do not release any connectors or perform maintenance work on parts subjected to pressure until the pressure has been completely eliminated.***

***Use suitable protection when using or performing maintenance on the unit, or when in its vicinity. This protection includes, but is not limited to, the use of masks, protective goggles, gloves, safety footwear and safety clothing.***



***This unit includes parts which reach temperatures likely to cause burns. Do not touch or handle the hot parts of the unit until they have cooled down.***



***To avoid the risk of crushing or amputation, only use this unit when its moving parts are fitted with correctly installed safety guards. Make sure all safety guards are correctly mounted after completing repair or maintenance work.***

## CHARACTERISTICS

The easy spray-H proportioning unit is designed for the application of polyurea chemical systems for polyurethane foaming and certain two-component epoxy systems.

### Principal heating system

Consists of two independent heaters without gaskets. Each heater has two 900 W/1500 W heating elements delivering total power of 1800 W / 3000 W, and the necessary control and safety mechanisms for the correct operation of the system. Their special configuration permits a temperature differential ( $\Delta T$ ) of 30° C and application temperatures of 80°C under normal ambient temperature conditions.

### Hose heating system

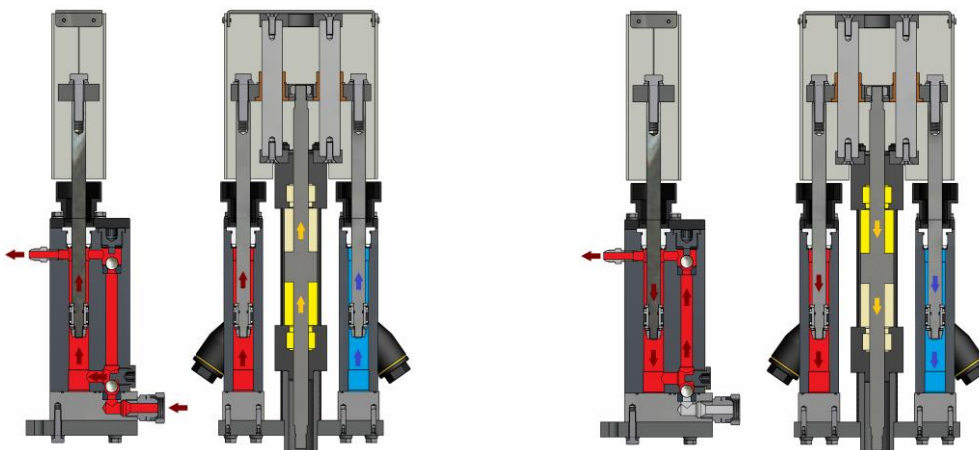
Designed with a 3000 W isolation transformer that enables effective heating up to a total hose length of 93 meters (305 ft) for foam and 78 meters (256 ft) for polyurea. The system includes an innovative hose heating concept in which the copper heating element is spread evenly around the circumference of the hose, providing a uniform heating watt density and precise control of the product application temperature. This hose heating element design is extremely resistant to fatigue failure.

100% circumferential coverage produces the most homogenous distribution of heat available.

### Proportioning pumps

This assembly comprises two positive-displacement piston pumps operated by a dual-piston hydraulic cylinder.

The parallel piston pump configuration ensures constant volume and guarantees uniformity of pressure in both directions of pump movement.





Service Manual

**TECHNICAL SPECIFICATIONS**

**Electrical**

Voltage: \_\_\_\_\_ 400V  
 Frequency: \_\_\_\_\_ 50/60Hz  
 Connections: \_\_\_\_\_ 3PE~400 V  
 Motor power: \_\_\_\_\_ 3 kW  
 Heater power: \_\_\_\_\_ 3.6 kW / 6 kW  
 Hoses power: \_\_\_\_\_ 3 kW / 1,6 kW / - kW  
 Max. Total Active power: \_\_\_\_\_ 12 kW  
 Max. Consumption: \_\_\_\_\_ 23 A @ 3PE~400V

**Mechanical**

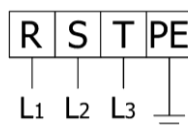
Maximum working pressure (#7.6 size pumps): \_\_\_\_\_ 140 bar (14 MPa)  
 Maximum working pressure (#4.5 size pumps): \_\_\_\_\_ 175 bar (17.5 MPa)  
 Maximum output at 1:1 ratio (#7.6 size pumps): \_\_\_\_\_ 9 kg/min  
 Maximum output at 1:1 ratio (#4.5 size pumps): \_\_\_\_\_ 4 kg/min  
 Minimum output: \_\_\_\_\_ 1 kg/min  
 Maximum length of heated hose with 3 kW transformer (for foam): \_\_\_\_\_ 93 m  
 Maximum length of heated hose with 3 kW transformer (for polyurea) (\*): \_\_\_\_\_ 78 m  
 Maximum length of heated hose with 1,6 kW transformer (for foam): \_\_\_\_\_ 48 m  
 Recommended compressor: \_\_\_\_\_ 3 HP single-phase  
 Approximate weight: \_\_\_\_\_ 190 kg

Dimensions: \_\_\_\_\_ H: 1165 mm / W: 605 mm / D: 744 mm

**Acoustic**

A-weighted sound pressure level: \_\_\_\_\_ 79,2 dB (A)  
 A-weighted sound power level: \_\_\_\_\_ 94,0 dB (A)

**Values obtained according to UNE-EN ISO 3746:1995 standard.**



3PE~400V 50/60Hz

Cable Section 6 mm<sup>2</sup>

(\* ) For temperatures above 75°C (167°F), the maximum hose length will be 78m (256ft).



MODEL VARIANTS										
VERSION	CONNEC.	MOTOR	HEATERS	PUMPS	INTEGRATED TANKS	TRANSF.	HOSES	TCS	MAX.POWER (SECTION) & N.B.	
ESH150-SP10	3PE~400V	3kW 400V	2x 1,8 kW	#7,6 - #7,6	NO	3Kw 400v	HEATED TRAFO	YES	9,6kW 19,1A (6 mm <sup>2</sup> )	
ESH150-SP11	3PE~400V	3kW 400V	2x 1,8 kW	#4,5 - #4,5	NO	3Kw 400v	HEATED TRAFO	YES	9,6kW 19,1A (6 mm <sup>2</sup> )	
	3PE~400V	3kW 400V	2x 3 kW	#7,6 - #7,6	NO	3Kw 400v	HEATED TRAFO	YES	12kW 23A (6 mm <sup>2</sup> )	
	3PE~400V	3kW 400V	2x 3 kW	#4,5 - #4,5	NO	3Kw 400v	HEATED TRAFO	YES	12kW 23A (6 mm <sup>2</sup> )	
ESH150-SP4	3PE~400V	3kW 400V	2x 1,8 kW	#4,5 - #4,5	YES	1,6Kw 230v	HEATED TRAFO	NO	8,2kW <b>16,3A</b> (2,5 mm <sup>2</sup> )	
	3PE~400V	3kW 400V	2x 3 kW	#4,5 - #4,5	YES	1,6Kw 230v	HEATED TRAFO	NO	10,6kW <b>21A</b> (6 mm <sup>2</sup> )	
ESH150-SP12	3PE~400V	3kW 400V	2x 1,8 kW	#4,5 - #4,5	YES	-	RECIRCULACIÓN	NO	6,6kW <b>13A</b> (2,5 mm <sup>2</sup> )	
	3PE~400V	3kW 400V	2x 3 kW	#4,5 - #4,5	YES	-	RECIRCULACIÓN	NO	9kW <b>18A</b> (6 mm <sup>2</sup> )	

To order suitable spare parts, check the correct elements that equip your machine.



**OVERVIEW**



*Figure 1. General view*



**1. Isocyanate intake**

3/4" BSP Threaded Inlet connection chemical component "A".

**2. Polyol intake**

3/4" BSP Threaded Inlet connection chemical component "R".

**3. Isocyanate output manifold**

Distributor Iso hose connection.

**4. Polyol output manifold**

Distributor Pol hose connection.

**5. Heated Hoses with transformers**

Keeps spray products at the right temperature in hoses.

**6. Hose temperature sensor**

Monitors the temperature of the spray products.

**7. Control panel**

Controls the correct operation of the unit.

**8. Isocyanate proportioning pump**

Delivers metered quantities of isocyanate to the system.

**9. Polyol proportioning pump**

Delivers metered quantities of polyol to the system.

**10. Isocyanate heater**

Heats the isocyanate to the pre-set temperature.

**11. Polyol heater**

Heats the polyol to the pre-set temperature.

**12. Isocyanate pressure gauge**

Indicates the pressure in the isocyanate circuit.

**13. Polyol pressure gauge**

Indicates the pressure in the polyol circuit.

**14. Isocyanate heater sensor**

Provides information on the temperature of the isocyanate heater.

**15. Polyol heater sensor**

Provides information on the temperature of the polyol heater.

**16. Isocyanate intake filters**

Prevent solid particles from the entering the unit's isocyanate pump.

**17. Polyol intake filters**

Prevent solid particles from the entering the unit's polyol pump.

**18. Hydraulic pressure gauge**

Indicates the pressure of the hydraulic circuit.

**19. Isocyanate circuit safety pressure switch**

Shuts off the solenoid valve in the event of excess pressure in the isocyanate circuit.

**20. Polyol circuit safety pressure switch**

Shuts off the solenoid valve in the event of excess pressure in the polyol circuit.

**21. Hydraulic pressure regulator**

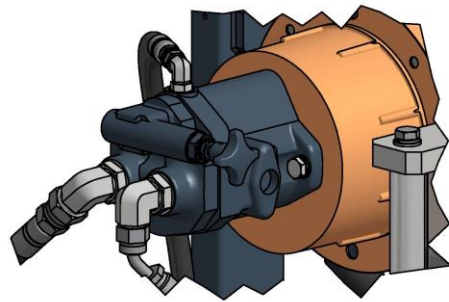
Enables the pressure of the hydraulic circuit to be increased or reduced.

To increase pressure, turn the tap clockwise; to reduce pressure, turn the tap anti-clockwise.



## Service Manual

NORMAL or RETRACT commands must be active before you can adjust the pressure of the hydraulic circuit.



*The hydraulic circuit should be regulated to ensure that the unit's output pressure never exceeds the working pressure of the product hoses fitted to the unit.*

### 22. Hydraulic oil tank

Contains the oil used by the unit's hydraulic system.

### 23. Hydraulic cylinder

Drives the pumps.

### 24. Oil level and thermometer

Displays the fluid level and temperature of the hydraulic oil tank.

### 25. Electric motor

Drives the hydraulic pump.

### 26. Hydraulic pump

Axial piston pumps are swash plate design variable displacement pumps.

The flow and pressure compensator control, also known as a load sensing control, matches pump output flow and pressure to the system demand.

Pumps oil to the hydraulic cylinder.

### 27. Hydraulic return filter

Filters impurities from the hydraulic oil.

### 28. Hydraulic oil fill cap

For topping up the oil tank.

### 29. Male connector hose heating

Allows temperature control in the hoses.

### 30. Transformer hose

Provides the necessary voltage for heating the hoses.

### 31. Reversing switch

Actuate to change of direction of the hydraulic cylinder.

**32. Isocyanate tank (OPTIONAL)**

Contains chemical component "A". Capacity 30 litres.

**33. Polyol tank (OPTIONAL)**

Contains chemical component "R". Capacity 30 litres.

**34. Isocyanate recirculation valve (OPTIONAL recirculation hoses only)**

Enables selection between recirculation and spray for the isocyanate circuit.

**35. Polyol recirculation valve (OPTIONAL recirculation hoses only)**

Enables selection between recirculation and spray for the polyol circuit.

**36. TCS DIP switches**

Enables selection of the hose heater control mode depending on whether hoses incorporate a temperature control sensor (TCS). See page 14 point 2 of this manual for instructions on selecting the correct control mode. **The unit must be disconnected before operating the DIP switch.**

**37. Temperature units DIP switch**

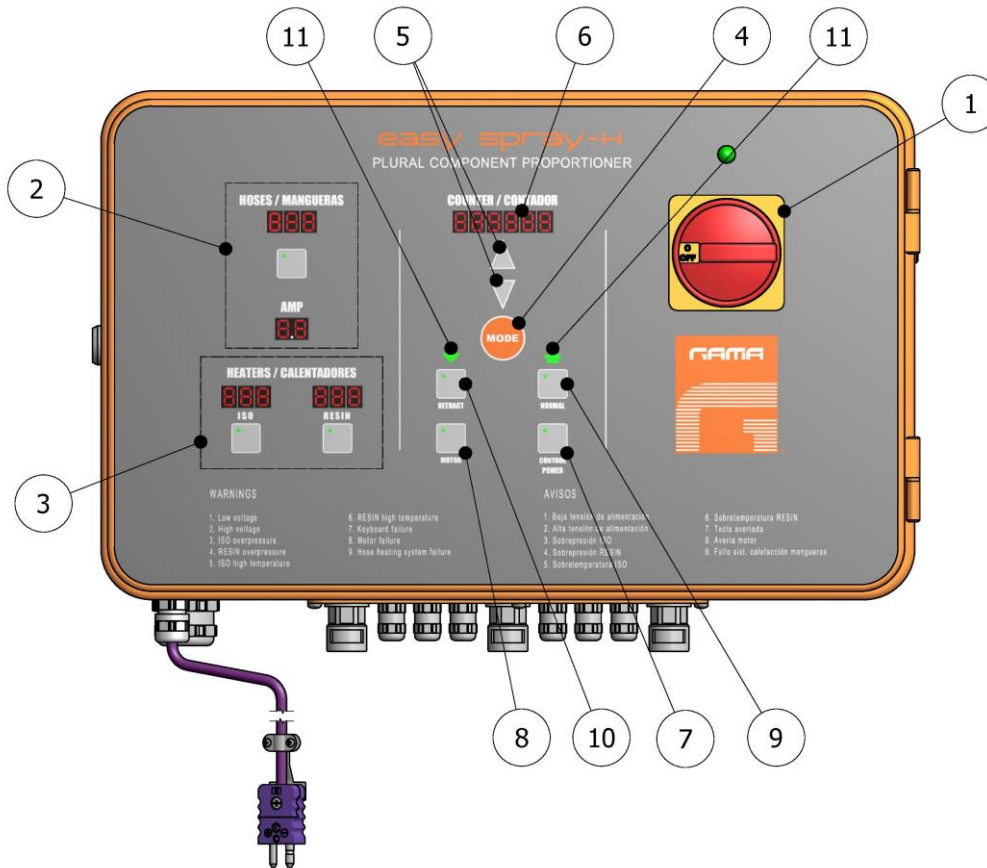
Enables selection of temperature units on the control panel displays. Set this switch to the "EU" position to display the temperature in degrees Celsius (°C), or "USA" to display the temperature in degrees Fahrenheit. **The unit must be disconnected before operating the DIP switch.**

**38. Motor DIP switch**

Activates/deactivates the hydraulic drive. Factory settings depend on the model. **The "Motor DIP" selector function is only active in units with hydraulic drive. The unit must be disconnected before operating the DIP switch.**



## CONTROL PANEL



**Figure 2. Control panel**

The control panel enables you to set the optimum operating conditions for the characteristics and requirements of the products dispensed. Press the MODE button to enter the desired settings for temperature, intensity and number of cycles to run. The selected parameter remains flashing for a few seconds, allowing you to change the values by touching the UP / DOWN buttons. After changing the value, press the MODE button again to confirm your selection.

The parameter modification function automatically cancels after a few seconds if there is no further activity on the buttons.

The parameters that can be selected and viewed are:

- Hose temperature in automatic control mode (maximum 80°C)
- Hose heating intensity in manual control mode (maximum 50 A)
- Isocyanate heater temperature (maximum 90°C)
- Polyol heater temperature (maximum 90°C)
- Number of cycles to run.
- Number of cycles completed.

**1. Main Power switch**

Turns the electric supply to the control panel on and off. It must be turned ON for any operation to be performed with the unit. When turned ON, the green pilot at the top of the switch will come on.

**2. Hoses**

Hose heating control can be automatic when a temperature control sensor is used for direct temperature control, or manual where no temperature control sensor is used. The control mode is selected via a DIP switch on the printed circuit board. Set the "HOSE TEMP" DIP to ON if the isocyanate hose incorporates a temperature control sensor. If the isocyanate hose does not incorporate a temperature control sensor, or if it is not working due to malfunction or other reasons, set the DIP to OFF.

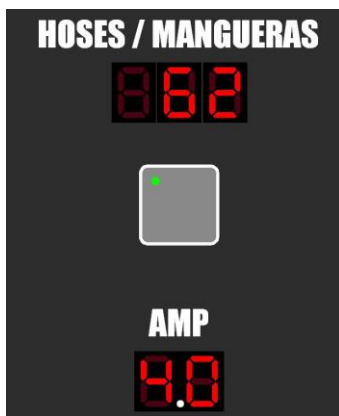


In automatic control mode, the temperature in the isocyanate (ISO) hose is shown on the corresponding display. In manual control mode, only the selected amperage value is shown.

**The unit must be disconnected before operating the DIP selector.**

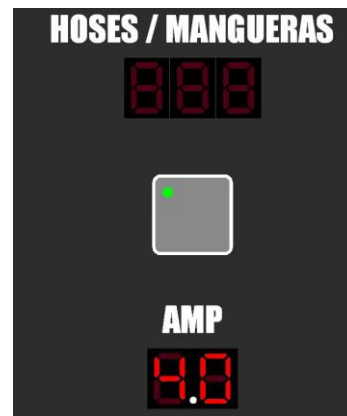
**HOSE TEMP ON**

with temperature control sensor in ISO hose



**HOSE TEMP OFF**

manual control



To select the temperature when the unit is working in automatic heating control mode, touch the MODE button, select the desired temperature using the UP/DOWN buttons and touch the MODE button again to confirm the setting. Follow the same procedure to select the amperage. When the unit is operating in automatic control mode, this value should be set to between 45 and 50 A.

The temperature setting of the hoses cannot be higher than the temperature setting of the heaters.

In cases where only one automatic temperature control system is working (ISO or POL), the limit temperature value is the higher of the two heater settings.

Maximum temperature settings are 80°C for hoses and 90°C for heaters.



Service Manual

The sequence for entering commands is as follows:

- First we set the temperature of the ISO and POL heaters.
- Next, we set the temperature of the ISO hoses.
- Then we set the hose current consumption in amps.
- Finally, we enter the cycle preselector setting.

If the temperature control sensor is not active, the symbol (---) appears on the display and the heating switches off.

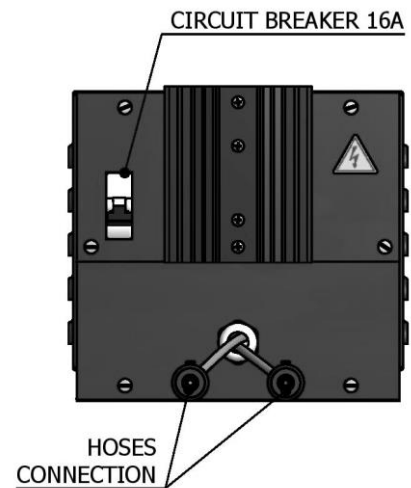
The standard unit incorporate an integrated transformer. The temperature of the hoses is controlled directly with the corresponding keyboard on the front panel (if it has TCS) or by programming the current intensity (see point 2 on page 14).

Select the temperature or intensity using the UP arrow button to increase or DOWN arrow button to decrease amps and temperature. Adjustment intensity ranges from 0 to 50 amps, and temperature range up to 80°C or 176°F.

Take the values below as an approximate reference to select the intensity that allows reaching the requested application temperature.

30 A	38° C	100° F
35 A	48° C	118° F
40 A	60° C	140° F
45 A	75° C	167° F
50 A	80° C	176° F

**NOTE:** The circuit breaker software of the transformer has a safety system to prevent the hoses from being exposed to high temperatures during long periods of time.



**If you have selected a potential over 35 amperes, after 20 minutes, the potential will automatically regulate to 35 amperes.**

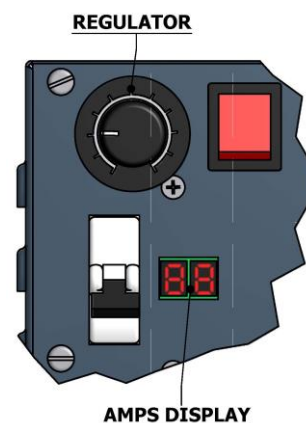
**This potential cannot be set above 35 amperes until the heater is disconnected from the hoses and reconnected.**

**The setpoint programmed by the machine operator will be memorized for the next heating start-up.**

In optional versions the hoses transformer can be independent. In this case, the temperature of the hoses is controlled by acting on a potentiometer integrated in the front of the transformer.

The lower pushbutton on the transformer switches the hose heating on and off. This pushbutton incorporates an LED which lights up when the heating is operating; a flashing LED indicates that the heater is on but is not heating up.

Turn the potentiometer clockwise to increase amps, and anti-clockwise if you wish to decrease amps. Adjustment ranges from 0 to 50 amps. Turn the potentiometer clockwise until the screen shows the required amps for a quick pre-heating.





### 3. Heaters

This display shows the temperatures in the isocyanate (ISO) and polyol (RESIN) heaters. To enter new temperature settings, press the MODE button, select the desired temperature by pressing the UP/DOWN buttons and press the MODE button again to confirm the selected value.

The lower pushbuttons switch the heater of each product “on” and “off”. Each pushbutton incorporates an LED which lights up when the heater is operating; a flashing LED indicates that the heater is “on” but is not heating up.

The heater will temporarily stop working in the event of excess pressure in either of the heating circuits and will switch “on” again once the problem has disappeared.

If the temperature control sensor is not active, the symbol (---) will appear on the display and the heater will switch “off”.

The hose heating command is not memorized by the unit and therefore it must be activated “on” every power-up.

### 4. Mode button

Press this button to modify the different control parameters.

### 5. Up / Down buttons

Increase or decrease the value of each parameter.

### 6. Counter

This display indicates the number of cycles completed, and the number of cycles remaining. The cycle counter is incremental and can be reset to zero by pressing the UP and DOWN buttons simultaneously.

The system offers a certain number of work cycle pre-selects. When the unit completes the pre-selected number of cycles, it stops dispensing product.

To enter the desired number of cycles, press and hold the MODE button until the cycle counter starts flashing, then select the number of cycles by pressing the UP / DOWN buttons as required. Then press the MODE button again to confirm the number of cycles.

When the unit starts, the number of completed cycles is deducted from the number of pre-set cycles. When all the pre-set cycles have completed, the counter displays zero and the unit stops.

The counter display alternately shows (at intervals of two or three seconds) the number of cycles completed (totalizer) and cycles remaining (preselector). The remaining cycles are displayed with a minus sign (-) in front (-XXXXX).

The cycle counter display also shows alerts in the event of malfunction.

You can use the cycle counter remaining as a minimum level indicator in the tanks (integrated or external). To do this, you must calculate the cycles to program so that the machine stops warning that you must fill the product tanks. It is recommended to perform the calculation on 93% of the real capacity of the product tank. For this calculation, you must divide 93% of the liters of said tank by the capacity in cubic decimeters of the corresponding product pump.

For example, if you have a 240 liters isocyanate tank and the machine is equipped with #7.6 isocyanate pump:

$93\% \text{ of } 240 \text{ l} = 223,2 \text{ l}$	$\#7,6 = 0,076 \text{ dm}^3$	$223,2 \text{ l} / 0,076 \text{ dm}^3 = 2937 \text{ cycles}$
--	------------------------------	--

In case for integrated 30l tanks and #4.5 product pumps:

$93\% \text{ of } 30 \text{ l} = 27,9 \text{ l}$	$\#4,5 = 0,045 \text{ dm}^3$	$27,9 \text{ l} / 0,045 \text{ dm}^3 = 620 \text{ cycles}$
--	------------------------------	--





## Service Manual

For machines with different product tanks or pumps, you must perform the calculation for each product and program the most unfavorable result (the result with the least number of cycles). When the counter reaches zero the machine stops in order not to pump air from the tanks into the system and alerting the lack of product in the tanks. Once the programmed cycles have been consumed, you must reset the counter and fill the tank if you want to reuse as a low product level tanks.

### 7. Control / Power button

This button controls the power switch providing electrical power to the heating circuits of the heaters and hoses (if applicable). When pressed, this button lights up. To disconnect the power supply, press this button again. The power supply automatically cuts out in the event of an alarm for excess temperature in the heaters (alarms 6 and 7) or an alarm for excess intensity in the hose heating (alarm 9).

### 8. Motor button

This button starts and stops the hydraulic motor. When pressed, this button lights up. To switch off the hydraulic motor, press this button again. The hydraulic motor switches off automatically in the event of hydraulic motor overload (alarm 8). ***The "Motor" function is only available on units with hydraulic drive.***

### 9. Normal button

Press this button to activate normal operation. When pressed, this button lights up.

### 10. Retract button

Pressing this button sets the piston of the isocyanate proportioning pump to the retracted position to prevent product residue from crystallizing on the piston. Press the RETRACT button every time you stop the unit. When pressed, this button lights up.

### 11. Direction indicator lights

These lights indicate the direction of movement of the proportioning pumps (left light for downward movement, and right light upward movement). When there is excess pressure in the system, both these lights go out and alarms 3 and 4 are activated. The NORMAL and RETRACT buttons remain active.



## ALARMS

In the event of a malfunction affecting the operation of the unit, it emits an audio signal and shows an alarm code on the COUNTER/CONTADOR display. An alarm cannot be cleared until the problem which caused it has been resolved. After clearing the alarm, press the MODE button.

Procedures for determining the causes of alarms are given below:

- 1. Operating voltage under 170V**
  - Check the electrical power connection.
  - Check the transformer's thermomagnetic protection.
- 2. Operating voltage above 270V**
  - Check the electrical power connection.
- 3. Excess pressure ISO (solenoid valve and heating system cut-out)**
  - Check product pressure.
  - Check LED no. 10 on the printed circuit board: it should be on.
  - Check the safety pressure switch.
- 4. Excess pressure POL (solenoid valve and heating system cut-out)**
  - Check product pressure.
  - Check LED no. 11 on the printed circuit board: it should be on.
  - Check the safety pressure switch.
- 5. Excess temperature ISO (CONTROL/POWER cut-out)**
  - Check the heater heating system.
  - Check the safety pressure switch connection and allow it to cool down so it can automatically reset.
  - Check LED no. 12 on the printed circuit board: it should be on.
- 6. Excess temperature POL (CONTROL/POWER cut-out)**
  - Check the heater heating system.
  - Check the safety pressure switch connection and allow it to cool down so it can automatically reset.
  - Check LED no. 13 on the printed circuit board: it should be on.
- 7. Button malfunction (only active when machine is connected to the power supply)**
  - Check the buttons.
- 8. Motor malfunction (motor stoppage)**
  - Check the consumption of the hydraulic motor.
  - Check the electrical connections of the hydraulic motor.
  - Check LED no. 15 on the printed circuit board: it should be off.



## Service Manual

### 9. Hose heating system malfunction (CONTROL/POWER cut-out)

- Replace the faulty triac.

### 000000 Preselected cycles completed (solenoid valve cut-out)

- Press the MODE button to reset the counter.
- Set the cycle selector to zero.

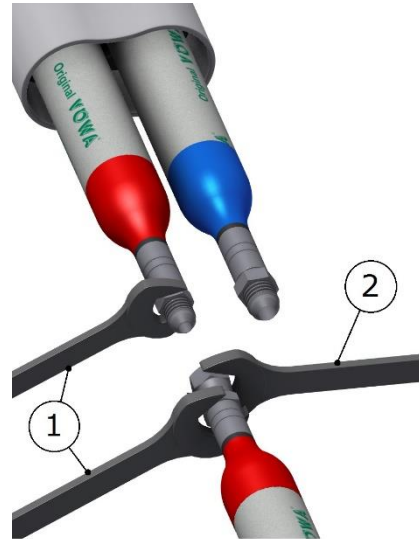


***Disconnect the unit from the power supply before opening the electrical console. Electrical maintenance of the machine should only be carried out by a qualified electrician.***

## METHOD OF THREADED UNION OF THE HOSES

Follow the torques for threaded joints listed in **Table 1** according to thread sizes of hose fittings to ensure their proper assembly.

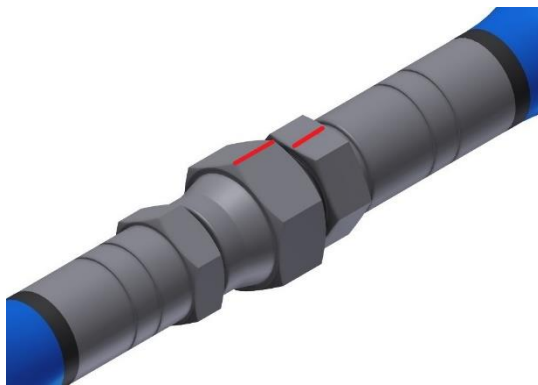
There is also an alternative procedure to obtain an equivalent torque without using special tools: joint both ends of the hoses to be connected, tighten a swivel nut by hand (without using spanner) until there is resistance on the nut. Fit two spanners (1) on the fixed ends of the hoses and turn the swivel nut with a third spanner (2) as many flats from wrench resistance (FFWR) as indicated in **Table 1**.



**Table 1. Tightening Threaded Joints**

THREAD SIZE	TORQUE Nm	FFWR
1/2"-20	23	2 (or 120°)
9/16"-18	30	1-1/2 (or 90°)

**NOTE:** 1 FFWR corresponds to one complete shear of a flat marked with red between swivel and fitting or else 60°.





## PREPARING THE UNIT FOR OPERATION

**WARNING!** Use suitable protective gear and follow the safety recommendations of the suppliers of the chemical components when preparing or working with the unit.

HI-TECH provides a set of tools and accessories necessary for the assembly of the machine. The set is composed of the following elements:

Item	DESCRIPTION	Qty.
BI-00009	Lithium Grease Tube 50 gr	1x
HT-00001	Magnet holder tool	1x
NR-00143-ENG	Parts Manual	1x
NR-00144-ENG	Manual Service	1x
NR-00045-ENG	Vertical Pumps Manual	1x
MA-00102	12" Hose Connections Protector	2x
EL-00051-00E	ISO TCS Assy with POL extension (For units with TCS)	1x ①
EM-00012	Hose TCS packaging	1x ①
EL-00093-01	White Flange 300 x 4.8	3x
HT-00045	Allen key 1/8"	1x
EL-00100-06	Blue Terminal for Cable 16 mm <sup>2</sup> L=12mm	2x ①
TN-00242	Threaded Rod 1/4"-20 UNC x 14" nylon	2x ①
<b>OPTIONAL</b>		
NR-00093-ENG	Recirculation Kit Manual	1x

① For Units with integrated transformer & TCS (standard version)



**Inside the console there is a terminal strip for connecting the principal electrical wire (not supplied) to the unit. The electrical connection of the unit must only be carried out by a qualified electrician.**

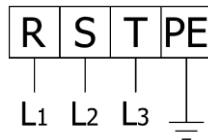
**NOTE:** To ensure the correct operation of the unit, the electrical power supply must meet the specifications given on p 7 of this manual and on the unit's rating plate.

Follow the recommended procedure in the indicated order to install the unit:

- a) Insert the main power cable by passing it through the wire stop at the bottom of the electrical console and connect as shown in the diagram.

Use the proper size of cable according to the voltage, current and maximum power required by the Unit.

**The sizing of the cable is calculated for a length of 25m, for longer lengths you must recalculate the appropriate section.**



23 A @ 3PE~400V

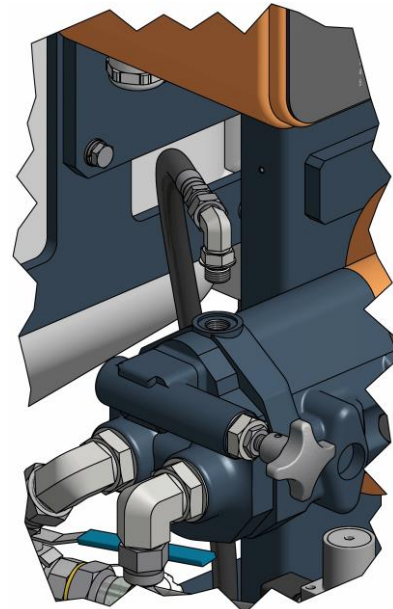
Cable Section 6 mm<sup>2</sup>

**Make sure the power cable is disconnected from the mains source before connecting it to the terminal strip in the console.**

- b) Put 18 litres of hydraulic oil in the unit's oil tank. The oil should comply with the characteristics and specifications of standard DIN 51524 sections 1 and 2 (for example ISO VG 46).

**PRECAUTION!** Do not fill the tank to its maximum capacity (22 litres); the oil level should not exceed 85% of the maximum capacity (18 litres approx.). Use the visor of the oil thermometer to check the oil level, as this should always be completely full (18 litres).

- c) Check the oil level in the hydraulic pump by removing the drain coupler from the pump and making sure the oil level reaches the top of the filler neck. Add oil if necessary and reconnect the coupler.

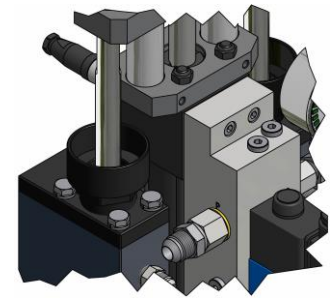


## Service Manual

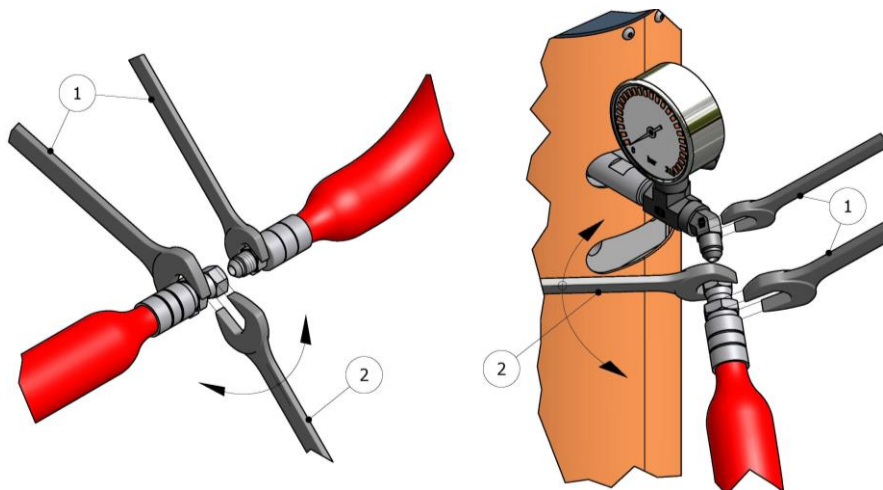
The hoses have been subjected to a vacuum-drying treatment and are delivered with their ends joined to prevent humidity from entering them. Do not separate them until the moment they are to be fitted to the unit.

Proceed as follows to prepare the unit:

- d) Remove the front protective covering from the pump guides and fill the lube reservoir of the isocyanate pump with DOTP plasticizer.
- e) Connect the hose for each product to the outlet of its respective heater (the isocyanate hose to the isocyanate heater and the polyol hose to the polyol heater).



**NOTE:** The hoses are colour-coded for easy identification: red for isocyanate and blue for polyol. To prevent connection errors, the isocyanate and polyol hose couplers are of different sizes, which makes it impossible to connect a hose to the wrong heater.



**Figure 3. Hose coupling method**

**WARNING!** To join hoses to each other, to the heaters, or to the gun, hold each hose end in place with a spanner (1), and with a third spanner tighten or loosen the coupling nut (2) as required (see Figure 3, pg.23). The tightening torque for these unions must be that indicated according to the procedure on page 21.

### Preparation (units with heated hose & transformer)

Each section of heated hose set features one connector for supply voltage and one connector for TCS temperature control.

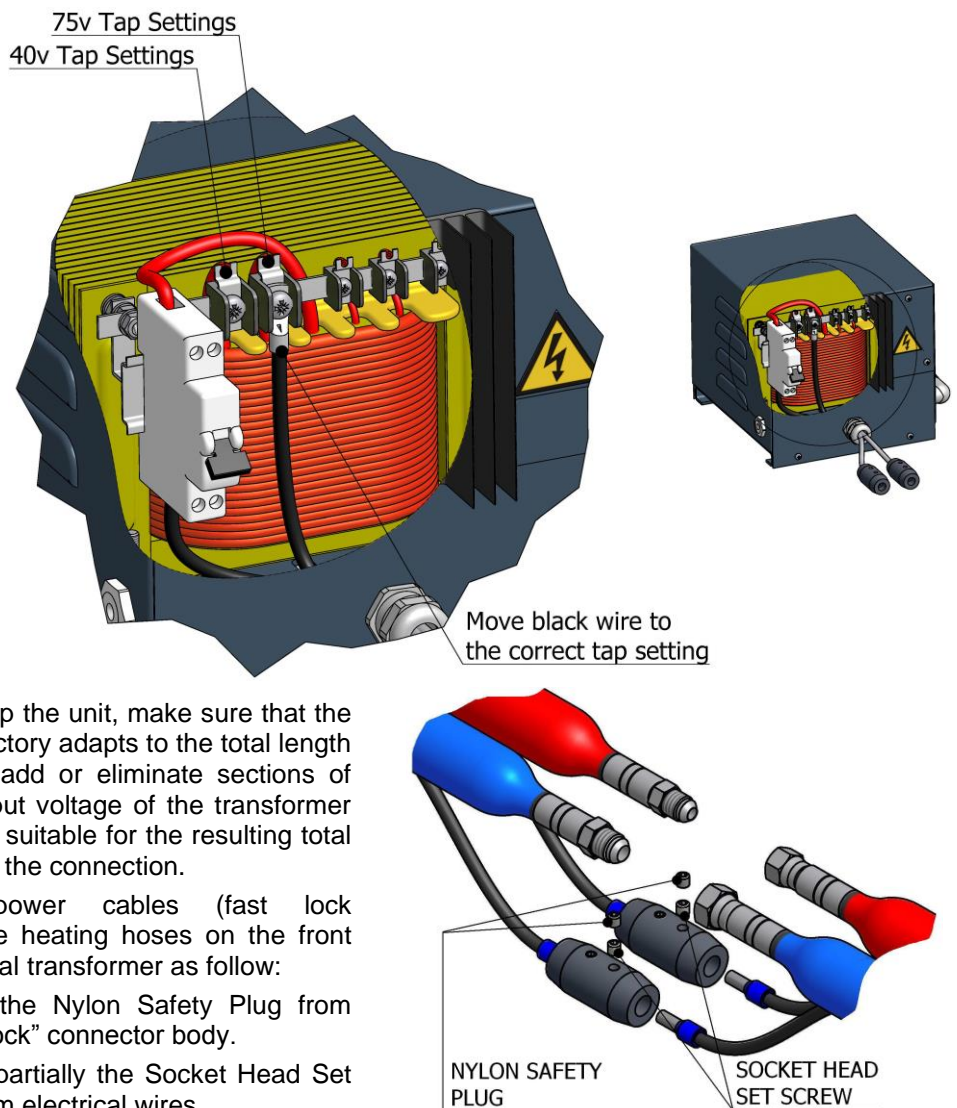
**WARNING!** Use suitable protective gear and follow the safety recommendations of the suppliers of the chemical components when preparing or working with the unit.

**NOTE:** To ensure the correct operation of the unit, the electrical power supply must meet the specifications given on p 7 of this manual and on the unit's rating plate.

The hose connection system includes special terminals (fast lock) to facilitate the electrical connection to the transformer and between the different sections installed in the unit.

The transformer offers the option of connecting to a 40 V output voltage valid for a total hose length of up to 48 meters (158 ft), or an output voltage of 75 V, for hose lengths exceeding 48 meters (158 ft) to 93 meters (305 ft). Connect to one output voltage or the other depending on the total hose length installed. Before starting up the unit, make sure that the connection made in the factory adapts to the total length of hose installed. If you add or eliminate sections of hose, make sure the output voltage of the transformer to which it is connected is suitable for the resulting total length. Otherwise, change the connection.

- a) Connect the power cables (fast lock connectors) of the heating hoses on the front side of the electrical transformer as follow:
  - a. Unscrew the Nylon Safety Plug from the "fast lock" connector body.
  - b. Unscrew partially the Socket Head Set Screw from electrical wires.
  - c. Insert the heated hose electrical wire with terminals into the "fast lock" connector body.
  - d. Tighten the Socket Head Set Screw of the terminals and place the Nylon Safety Plugs.



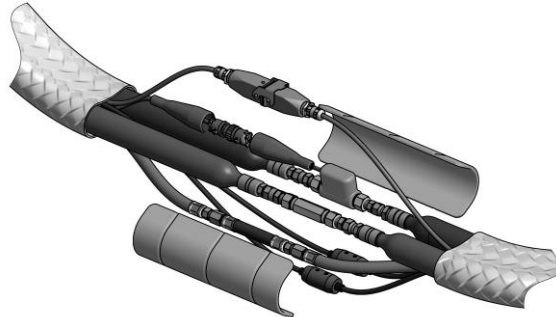


## Service Manual

**NB:** A good practice is to add some dielectric grease to the ID of the connector.

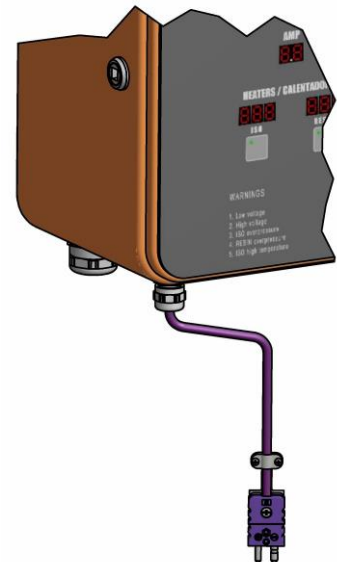
Repeat the same steps to connect the “fast lock” that you will find in the middle hose connections.

- b) Connect the rest of the product hoses to complete the required length. Remember that the hoses are identified with red (Isocyanate) and blue (Polyol).



**NB:** Assure the proper mechanical and electrical connection of the hoses to avoid possible product leakage and hose heat problems.

- c) Install the probe of control of temperature TCS between the last stretch of hose of product and the final stretch connected to the gun. Stretch carefully the cable of the probe inserting it in the Isocyanate hose.
- d) Wind the connector of the probes to the connector of the hose. Realize so many connections as stretches of 15 m hose you have.
- e) Realize the connections between the connector of exit of the probe TCS of the first stretch of hose and the connector proceeding from the machine located on the bottom of the cabinet.
- f) As soon as the connections were completed, place the protections for the union fixing them with three plastic bridles. Later cover the union with the ends of the cases.

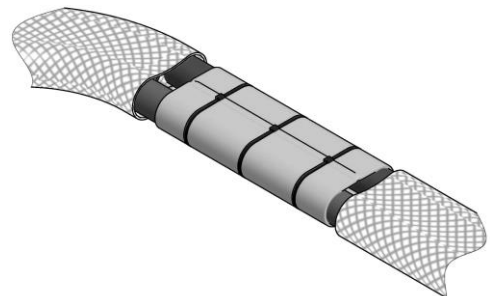


**NB:** To protect the TCS sensor, you must pay special attention not to kink or excessively bend the hoses. Do not roll up the hoses with a radius of under one meter / 4 feet.

- g) Connect the air hoses.
- h) Connect the hoses to the connectors of the coupling block of the gun, making sure that the manual valves are closed.

Having performed the above operations, you must note the direction in which the motor turns. To make sure that it is turning clockwise, do the following:

- a) Turn the hydraulic pressure regulator counterclockwise.
- b) Turn the general switch ON. The top pilot light will come on.
- c) Press the POWER CONTROL key.
- d) Go to the side of the machine to be able to see the motor fan. Press the MOTOR key to start the motor and press it again to stop it. Check that the blades of the fan are turning clockwise, otherwise turn the general switch OFF and disconnect the machine from the source of electrical supply.
- e) Open the console of the control panel and change the position of two of the three wires of the electrical connection of the unit. Check the turning direction once more.





Proceed to install the transfer pumps (if applicable) paying special attention to connect each pump to “its” respective product, as changing the pumps would cause a reaction in the products inside them and make them useless. Identifying each pump with a tape of the same color as that of the hoses (blue for the Polyol pump and red for the Isocyanate pump) might be a good method for avoiding errors in connection.

Do the following steps to install the pumps:

- a) Make sure that the inlet valves of the products to the unit are closed.
- b) Connect one end of the Polyol hose (3/4” thread) to the Polyol valve and the other end to the transfer pump of the same product.
- c) Connect one end of the Isocyanate hose (3/4” thread) to the Isocyanate valve and the other end to the transfer pump of the same product.
- d) Connect the air hose to the transfer pumps.
- e) Install the unit ground connection. The movement of the product inside the hose can cause static electricity and produce electrical discharges.

### ***Purge method (units with heated hose & transformer)***

Before using the unit, the residual air and oil from factory testing must be eliminated. To purge the whole circuit, proceed as follows:

- a) Pressurize the transfer pumps and open the inlet ball valves. Make sure there are no leaks.
- b) Turn the hydraulic pressure regulator counter clockwise.
- c) Turn the general switch ON. The top pilot light will come on.
- d) Press the CONTROL POWER key.
- e) Hold the coupling block with the outlet of each product in separate vessels and open the manual valves of each product.
- f) Press the MOTOR key.
- g) Press the NORMAL key. The led will light.
- h) If necessary, increase the hydraulic pressure by turning the regulator clockwise until the product pumps begin to move slowly.
- i) Allow the materials to come out of the coupling block until the residual oil and the air bubbling has disappeared completely.
- j) Close the manual valves of each product and clean the coupling block of the remains of product.
- k) Slowly increase the hydraulic pressure to check for product leaks in the hose joints. Retighten if necessary and tape the connectors to protect them from possible damage.
- l) Press the NORMAL key. The led will go out.
- m) Place the gun in the coupling block.

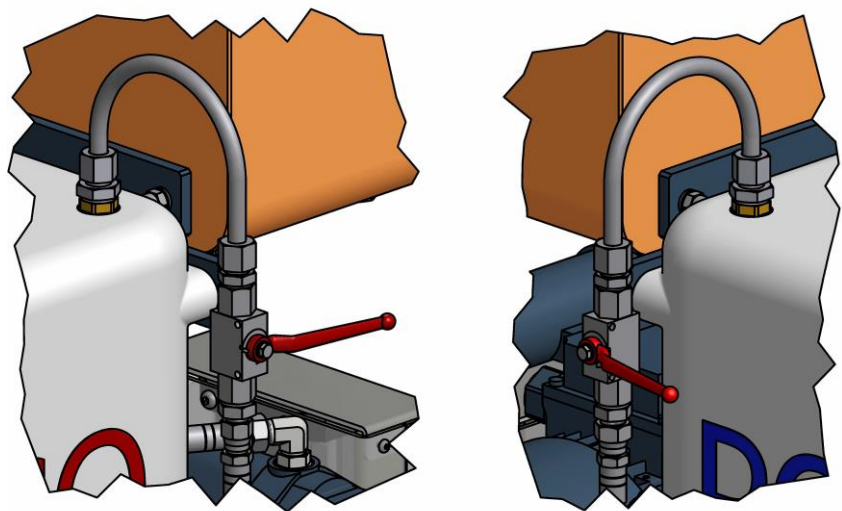
### Preparation (only for units with tanks & recirculation hose)

**WARNING!** Use suitable protective gear and follow the safety recommendations of the suppliers of the chemical components when preparing or working with the unit.

**NOTE:** To ensure the correct operation of the unit, the electrical power supply must meet the specifications given on p 7 of this manual and on the unit's rating plate.

After following steps, a), b), c) and d) of the preparation procedure (see p.21), follow the procedure given below to prepare the unit for recirculation:

- Connect the recirculation hose of each product to the recirculation valves located in the respective product tanks (the isocyanate hose to the isocyanate tank valve and the polyol hose to the polyol tank valve).
- Connect the air hose to the supply connector.
- Connect the pressure hoses to the gun couplers, making sure the gun's manual valves are closed (the isocyanate hose to the isocyanate coupler and the polyol hose to the polyol coupler).
- Connect the recirculation hoses to the gun couplers (the isocyanate hose to the isocyanate coupler and the polyol hose to the polyol coupler).
- Fill the tanks with their respective product.



### WARNING!

**When handling chemical products, always follow the supplier's safety and storage instructions.**

**To prevent splash contamination between one tank and the other, open only the cap of the tank being filled with product.**

**Never swap parts between one tank and the other, and always use the same tank for the same product.**

### WARNING!

**To prevent cross-contamination of products, make sure the tanks are properly closed.**

**To avoid spillage during transportation of the unit, never fill the tanks completely: always leave about 20% of the tank capacity free (each tank holds 30 litres).**

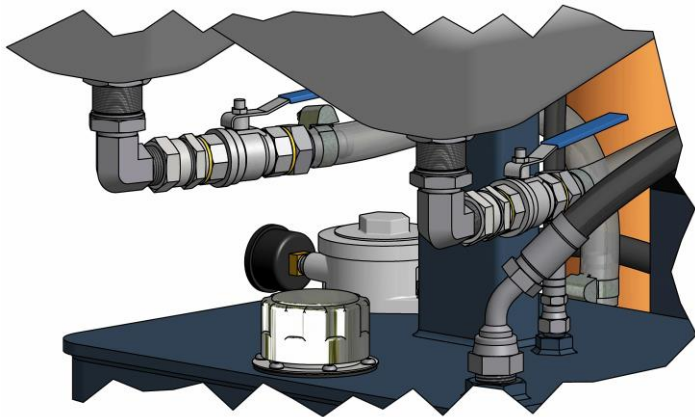
**We recommend using small vessels (10-15 litres maximum) for pouring product into the tanks.**

**Fill the tanks with the amount of product required for each application.**

### **Purge method (only for units with tanks & recirculation hose)**

Before using the unit, all air pockets and residual oil from in-factory testing must be eliminated. To purge the full circuit, proceed as follows:

- a) Disconnect the isocyanate and polyol recirculation tubes and place them in separate waste recipients.
- b) Open the manual purge valves located under each tank.
- c) Open the manual recirculation valves.
- d) Rotate the power switch to the ON position. The upper pilot light goes on.
- e) Press the CONTROL POWER button. The LED will light up.
- f) Press the button located under the HOSES display. The LED inside the button will light up.
- g) When the products contained in the hoses have reached working temperature, press the ISO and RESIN buttons located under the HEATERS display. Both LEDs will light up.



**WARNING!** To avoid excess pressure in the heating hoses, wait for the products contained in the hoses to reach the required temperature before starting the hydraulic system.

- h) Press the MOTOR button. The LED will light up.

Once the above operations have been completed, you now must check the direction of rotation of the motor. Proceed as follows to make sure the motor is rotating in the clockwise direction:

- i) Rotate the hydraulic pressure regulator in the anticlockwise direction as far as it will go.
- j) Rotate the power switch to the ON position. The upper pilot light goes on.
- k) Press the CONTROL POWER button.
- l) Position yourself so that you can see the motor fan on the side of the unit. Press the MOTOR button to start the motor, then press it again to stop the motor. Check that the fan blades are turning in the clockwise direction.
- m) Rotate the hydraulic pressure regulator in the anticlockwise direction as far as it will go.
- n) Rotate the power switch to the ON position. The upper pilot light goes on.
- o) Press the CONTROL POWER button.
- p) Press the NORMAL button. The LED will light up. One of the direction indicator lights comes on and the proportioning pumps begin to operate.
- q) If necessary, rotate the hydraulic pressure regulator to reach the required pressure, and check the pressure of each proportioning pump on the respective pressure gauges at the unit's outlets.



## Service Manual



***The hydraulic circuit should be regulated to ensure that the unit's output pressure never exceeds the working pressure of the product hoses fitted to the unit.***

- r) Allow the air and oil to escape from the recirculation tubes until there is no more residual oil and the air has stopped gurgling.
- s) Close the manual recirculation valves for each product.
- t) Remove any product residue from the recirculation tubes and re-connect them to the tanks.
- u) Slowly increase the hydraulic pressure to check for any product leakage at any point in the circuit.
- v) Rotate the power switch to the OFF position. All displays will switch off.
- w) Place the gun in the coupling block.
- x) Rotate the power switch to the ON position. The upper pilot light goes on.
- y) Press the CONTROL POWER button. The LED will light up.
- z) Press the button located under the HOSES display. The LED inside the button will light up.
- aa) When the products contained in the hoses have reached working temperature, press the ISO and RESIN buttons located under the HEATERS display. Both LEDs will light up.
- bb) Press the MOTOR button. The LED will light up.
- cc) Press the NORMAL button. The LED will light up. One of the direction indicator lights comes on and the proportioning pumps begin to operate.

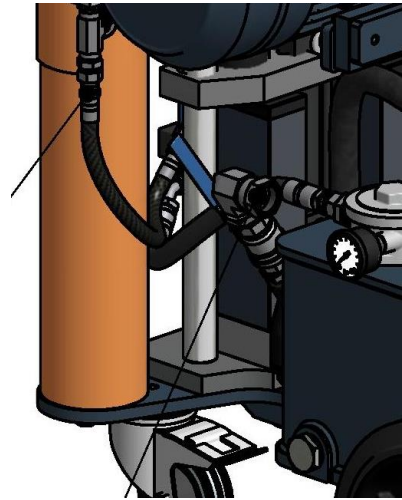
The unit is ready to operate.

## POWER-UP PROCEDURE (INTEGRATED TRANSFORMER)

Follow the recommended procedure in the indicated order.

**PRECAUTION!** *The start-up procedures assume that all the necessary adjustments have been correctly performed.*

- a) Check the state of the DOTP plasticizing oil in the lubrication bowl of the Isocyanate pump. Change the oil if you see changes in the color or signs of solidification.
- b) Check the hydraulic oil level. Add oil if the level is low.
- c) Make sure that the chemical products to be processed are above the minimum temperature required to be supplied to the unit through the transfer pumps. Ask your product supplier for information on the minimum supply temperature.
- d) Check the input filters of the products. Clean them if necessary.
- e) Pressurize the two transfer pumps and open the inlet valves of the products to the unit.
- f) Turn the general switch ON. The top pilot light will come on.
- g) Press the POWER CONTROL key. The led will light.
- h) Press the ISO key under the HOSES display. The led will light in the center of the key. In machines fitted with two transformers, the ISO and RESIN keys must be pressed. The two leds will light.
- i) Press the ISO and RESIN keys under the HEATERS display when the products in the hoses reach the working temperature. The two leds will light.



**PRECAUTION!** *To avoid excessive pressure in the heating hoses, wait for the product in them to reach the required temperature before starting up the hydraulic system.*

- j) Press the MOTOR key. The led will light.
- k) Press the NORMAL key. The led will light. One of the direction indicator lights will come on and the dosing pumps will begin to move.
- l) Using the hydraulic pressure regulator, adjust the required pressure and check the pressure of each dosing pump on their respective gages on the machine outlet.



**Regulate the hydraulic system so that the output pressure of the unit never exceeds the pressure of work of the installed product hoses.**

The pressures must be practically the same and remain constant. The directional indicator lights must remain with one on and the other out. The lit lamp indicates the direction of movement of the pumps.

If the pressure fluctuates on either stroke, consult the fault section before continuing.



## Service Manual

- m) Connect the air supply to the gun; open the manual valves of each product; make a test projection and check the pressures on the product gages. If the projection test is correct and the pressures remain equal, proceed with the application

## POWER-UP PROCEDURE (HOSES WITH RECIRCULATION)

Follow the recommended procedure, in the sequence given, to power-up the unit:

**WARNING!** Do not start the power-up procedure described below until all necessary prior adjustments have been made correctly.

- a) Check the condition of the DOTP plasticizer contained in the isocyanate pump's lube reservoir. Change the oil if it is discoloured or shows signs of solidification and tighten the packing nut to make the seal tight.
- b) Make sure the product tanks are full or have the minimum content for application to begin.
- c) Check the product intake filters. Clean them if necessary.
- d) Open the manual purge valves located before each inlet filter.
- e) Open the manual recirculation valves (for hoses with recirculation).

**NOTE:** Only perform this step if you wish to recirculate the products.

**NOTE:** Recirculation of products enables heater temperature settings to be reached quicker, heating both the hoses and the gun. For more efficient heating during recirculation, fill the tanks with the minimum amount of product necessary for the application.

**WARNING!** The product tanks are made of a plastic material which can withstand a maximum temperature of 80°C. The temperature of the products inside the tanks must never exceed this limit.

**WARNING!** Never recirculate when the tanks are completely full, as this can cause abnormally high pressure in the tanks.

- f) Check the hydraulic oil level. Add oil if the level is low.
- g) Make sure the products are at the minimum required temperature for their delivery to the unit via the transfer pumps. Contact your supplier for information on the minimum delivery temperature.
- h) Check the product intake filters. Clean them if necessary.
- i) Rotate the power switch to the ON position. The upper pilot light goes on.
- j) Press the CONTROL POWER button. The LED will light up.
- k) Press the button located under the HOSES display. The LED inside the button will light up.
- l) When the products contained in the hoses have reached working temperature, press the ISO and RESIN buttons located under the HEATERS display. Both LEDs will light up.

**WARNING!** To avoid excess pressure in the heating hoses, wait for the products contained in the hoses to reach the required temperature before starting the hydraulic system.

- m) Press the MOTOR button. The LED will light up.
- n) Press the NORMAL button. The LED will light up. One of the direction indicator lights comes on and the proportioning pumps begin to operate.
- o) Rotate the hydraulic pressure regulator to reach the required pressure and check the pressure of each proportioning pump on the respective pressure gauges at the unit's outlets.



**The hydraulic circuit should be regulated to ensure that the unit's output pressure never exceeds the working pressure of the product hoses fitted to the unit.**

- p) Set the isocyanate heater temperature.
- q) Set the polyol heater temperature.
- r) Set the hose heating temperature and/or intensity (if applicable).
- s) Close the recirculation valves if open and open each product's manual valves on the gun. Perform a test spray and check the pressure readings on each product's pressure gauge. If the test spray is satisfactory and the pressure readings remain identical, proceed with application.

Pressure readings should be practically identical and should remain constant. One direction indicator light should remain on and the other off. The light which is on indicates the direction of movement of the pumps.

If the pressures oscillate with each movement, consult the Malfunctions section before continuing.





## POWER-DOWN

Follow the recommended procedure, in the sequence given, to power-down the unit when work is stopped for the day:

- a) Press the RETRACT button. The LED will light up.
- b) Operate the gun, spraying into a waste recipient until the isocyanate proportioning pump is in the retracted position and the spray angle begins to decrease.

***WARNING! To prevent product leakage and premature deterioration of the pump's seal rings, do not reduce the pressure to zero. We recommend keeping the system at a minimum pressure of 30 bars to prolong the life of the seal rings.***

- c) Press the MOTOR button. The LED will go out.
- d) Press the ISO and RESIN buttons located below the heater temperature display. Both LEDs will go out.
- e) Press the button located under the HOSES display. The LED will go out.
- f) Press the CONTROL POWER button. The LED will go out.
- g) Rotate the power switch to the OFF position. The upper pilot light goes out.
- h) Close the stop valves controlling intake of the products.
- i) Close the supply to the transfer pumps (if applicable).
- j) Disconnect the air supply to the transfer pumps (if applicable).
- k) Close the manual valves on the coupling block and dismount the gun for carrying out the necessary maintenance.



## CLEANING PROCEDURE (HEATED HOSES WITH TRANSFORMER)

**PRECAUTION!** *The unit includes components that reach temperatures that are liable to cause burns. The hot parts of the unit must not be handled until they have cooled.*

To avoid possible contamination, the circuits of the unit must previously be cleaned (pumps, heaters, and hoses) whenever applications have to be made that require a change of components.

**NOTE:** *Save reusable products to suitable recipients, following the instructions of the manufacturer.*

Follow the recommended procedure in the order indicated to perform the cleaning when you must change the components of the system:

- a) Place two drums of DOTP cleaning agent close to the machine.
- b) Dismantle the gun and leave the coupling block connected to the hoses.
- c) Remove the transfer pumps of the product drums and place them in the drums of the DOTP cleaning agent.
- d) Place a vessel under the coupling block to gather up the products contained inside the machine.
- e) Open the manual valves on the coupling block and press CONTROL POWER, MOTOR and NORMAL keys to start up the metering pumps.
- f) Allow the products to come out until you see that only DOTP cleaning agent comes out free of impurities.
- g) Close the valves on the coupling block and deactivate the NORMAL, MOTOR and CONTROL POWER keys.
- h) Place the transfer pumps in the drums of the new products.
- i) Place a vessel under the coupling block to collect the DOTP cleaning agent.
- j) Open the valves on the coupling block and press the MOTOR and NORMAL keys to start up the dosing pumps.
- k) Allow the DOTP cleaning agent to come out until you see that only the new products come out.
- l) When the products come out without the contamination produced by the effect of the DOTP cleaning agent, the cleaning process is complete, and you can proceed as normal.



## CLEANING PROCEDURE (RECIRCULATION HOSES TANKS)

**WARNING!** *This unit includes parts which reach temperatures likely to cause burns. Do not touch or handle the hot parts of the unit until they have cooled down.*

To avoid possible contamination, all the unit's circuits (pumps, heaters and hoses) must be cleaned before applications which require a change of components.

Follow the steps given below to clean the unit before changing any of its components:

- a) Disconnect the isocyanate and polyol recirculation tubes and place them in separate waste recipients.

**NOTE:** *Save reusable products to suitable recipients, following the instructions of the manufacturer.*

- b) Open the manual purge valves located under each tank.
- c) Open the manual recirculation valves.
- d) Place the tubs containing the DOTP cleaning agent near the unit.
- e) Dismount the gun and leave the coupling block joined to the hoses.
- f) Put the recirculation hose end in a recipient to collect the products contained in the tanks and inside the unit.
- g) Rotate the power switch to the ON position.
- h) Check that the taps on the coupling block are closed and press the CONTROL POWER, MOTOR and NORMAL buttons to start the proportioning pumps.
- i) Check that the product pumps are working.
- j) Let the materials drain into the recipient from the recirculation hoses until the tanks are completely empty.
- k) Press the NORMAL, MOTOR and CONTROL POWER buttons to stop the proportioning pumps. The displays on the temperature regulators will go out.
- l) Rotate the power switch to the OFF position.
- m) Close the manual valves located below each product tank.
- n) Fill the product tanks with DOTP cleaning agent (approx. 5 litres).
- o) Open the manual purge valves located under each tank.
- p) Close the recirculation valves for each product.
- q) Reconnect the recirculation hoses to their respective tanks and re-open the recirculation valves.
- r) Rotate the power switch to the ON position.
- s) Press the CONTROL POWER, MOTOR and NORMAL buttons to start the proportioning pumps.
- t) Let the unit recirculate for 2-3 minutes to clean the hoses and tanks. For better tank cleaning results, heat the cleaning agent with the heaters.
- u) Press the NORMAL, MOTOR and CONTROL POWER buttons to stop the proportioning pumps. The displays on the temperature regulators will go out.
- v) Rotate the power switch to the OFF position.
- w) Close the recirculation valves located under each product tank.



- x) Disconnect the recirculation tubes from the isocyanate and polyol tanks and place them in separate waste recipients.
- y) Open the recirculation valves located under each product tank and make sure the taps on the coupling block are closed.
- z) Rotate the power switch to the ON position.
- aa) Press the CONTROL POWER, MOTOR and NORMAL buttons to start the proportioning pumps.
- bb) Check that the product pumps are working.
- cc) Let the cleaning agent drain from the recirculation tubes until the tanks are empty.
- dd) Press the NORMAL, MOTOR and CONTROL POWER buttons to stop the proportioning pumps. The displays on the temperature regulators will go out.
- ee) Rotate the power switch to the OFF position.
- ff) Close the manual valves located below each product tank.
- gg) Close the manual recirculation valves.
- hh) Proceed as indicated in the instructions for preparing the unit.



## TEMPORARY LAYOFF OF THE UNIT (HEATED HOSES WITH TRANSFORMER)

**WARNING!** *This unit includes parts which reach temperatures likely to cause burns. Do not touch or handle the hot parts of the unit until they have cooled down.*

When the unit is to be out of service for over FOUR weeks, you must replace the products contained in the unit with DOTP plasticizer.

Follow the steps given below to replace the products with DOTP plasticizing agent:

**NOTE:** *If the products contained in the unit can be reused, save them to suitable recipients, following the instructions of the supplier.*

- a) Place two drums of DOTP cleaning agent close to the machine.
- b) Dismantle the gun and leave the coupling block connected to the hoses.
- c) Remove the transfer pumps of the product drums and place them in the drums of the DOTP cleaning agent.
- d) Place a vessel under the coupling block to gather up the products contained inside the machine.
- e) Open the manual valves on the coupling block and press the MOTOR and NORMAL keys to start up the dosing pumps.
- f) Allow the products to come out until you see that only DOTP cleaning agent comes out free of impurities.
- g) Deactivate the MOTOR and NORMAL keys, close the valves on the coupling block, turn the general switch OFF, disconnect the supply system of the transfer pumps and the process is finished. The metering pumps, the heaters and the hoses must be full of DOTP plasticizing oil. Never leave the machine or the hoses empty of product or DOTP plasticizing oil.

**NOTE:** *Never use liquids not recommended or not approved by HI-TECH. Never use approved liquids that have been contaminated with water or ISO/POL. If you are not sure in the quality of the liquid, you are going to use we strongly recommend that you check the machine 2-3 times every 2 weeks after you have filled it by recirculating through heated hoses (see p.34) and/or hoses with recirculation (see p.35) with fresh plasticizer unless you make sure the liquid that comes out is completely pure and clean.*



## TEMPORARY LAYOFF OF THE UNIT (RECIRCULATION HOSES TANKS)

**WARNING!** *This unit includes parts which reach temperatures likely to cause burns. Do not touch or handle the hot parts of the unit until they have cooled down.*

When the unit is to be out of service for over FOUR weeks, you must replace the products contained in the unit with DOTP plasticizer.

Follow the steps given below to replace the products with DOTP plasticizing agent:

**NOTE:** *If the products contained in the unit can be reused, save them to suitable recipients, following the instructions of the supplier.*

- a) Perform the cleaning procedure for hoses with recirculation (see **p.35**; *Error! Marcador no definido.*).
- b) Fill the product tanks with DOTP cleaning agent (approx. 5 litres).
- c) Open the manual purge valves located under each tank.
- d) Make sure the recirculation taps are closed.
- e) Rotate the power switch to the ON position.
- f) Press the CONTROL POWER and MOTOR buttons.
- g) Press the RETRACT button and wait for the proportioning pumps to descend into the retract position.
- h) Press the RETRACT, MOTOR and CONTROL POWER buttons to stop the proportioning pumps.
- i) Rotate the power switch to the OFF position.
- j) Reduce product pressure by opening the recirculation taps and then closing them.

To prevent product leakage and the premature wear of pump packing seals, do not reduce pressure to zero. We recommend keeping the system at a minimum pressure of 30 bars to prolong the service life of packing seals.

Proportioning pumps, heaters and hoses should always be filled with DOTP plasticizer when the unit is not in use. **Never leave the unit or its hoses empty of product or DOTP plasticizer.**

**NOTE:** *Never use liquids not recommended or not approved by HI-TECH. Never use approved liquids that have been contaminated with water or ISO/POL. If you are not sure in the quality of the liquid, you are going to use we strongly recommend that you check the machine 2-3 times every 2 weeks after you have filled it by recirculating through heated hoses (see p.34) and/or hoses with recirculation (see p.35) with fresh plasticizer unless you make sure the liquid that comes out is completely pure and clean.*

## MALFUNCTION

The easy spray-H unit has been designed and built to operate in severe working conditions. It will work with a high degree of reliability on condition that it is used and maintained correctly. This section contains information on the possible causes of malfunctions in the unit. Most problems with the unit can be detected and resolved using the information provided in this section. Please refer to this information before requesting technical assistance from your authorized dealer or HI-TECH technical services. Feel free to contact the technical assistance service of HI-TECH Spray Equipment, S.A. at any time. Our team of qualified technicians is on hand to help and advise you when necessary.

**NOTE:** *Repairs by unqualified personnel or the use of non-original replacement parts can damage the unit and endanger the safety of the operator.*



**To avoid bodily damage caused by the incorrect handling of the substances and solvents used in the spraying process, read carefully the safety information provided by suppliers.**

**Dispose of waste as required by applicable legislation.**



**Disconnect the unit from the power supply before opening the electrical console.**



**Electrical maintenance should only be carried out by a qualified electrician.**

**To avoid exposure to pressurized fluids, do not release any connectors or perform maintenance work on parts subjected to pressure until the pressure has been completely eliminated.**

**Use suitable protection when using or performing maintenance on the unit, or when in its vicinity. This protection includes, but is not limited to, the use of masks, protective goggles, gloves, safety footwear and safety clothing.**



**This unit includes parts which reach temperatures likely to cause burns. Do not touch or handle the hot parts of the unit until they have cooled down.**



**To avoid the risk of crushing or amputation, only use this unit when its moving parts are fitted with correctly installed safety guards. Make sure all safety guards are correctly mounted after completing repair or maintenance work.**

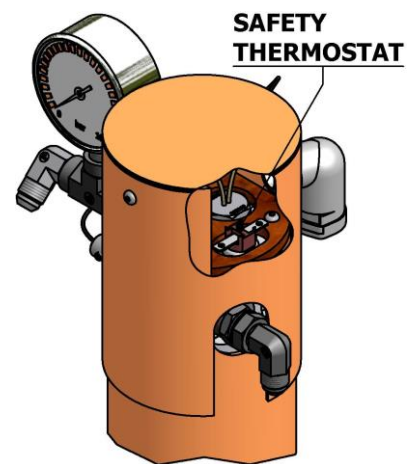
## Heaters

**WARNING!** Before attempting to fix any kind of malfunction, make sure that no buttons are lit on the electrical panel, that the power switch is in the OFF position and that the unit is disconnected from the power supply. Never open the electrical console when the unit is connected to the power supply. Heaters can reach high temperatures. Always wait until they have cooled down before handling them.

**NOTE:** The thermostat is a safety device which is in contact with the heater. If the temperature exceeds 120°C (248°) the thermostat will cut off the power supply to the temperature regulator. The thermostat will not start working again until the temperature of the heater falls below 120°C (248°F).

If the temperature of either heater (isocyanate or polyol) exceeds 90°C (194°F) an alarm will activate, and the corresponding number will appear on the control panel (5 for isocyanate and 6 for polyol).

Follow the procedure below, in the sequence given, to rectify the problem and avoid expensive repairs. Check that all automatic switches are in the correct working position before proceeding to locate faults.



### PROBLEM

The heater does not heat up, although the LED in the heater button is lit.  
The symbol (---) appears on the heater display.

### SOLUTIONS

1-2-3  
4

### SOLUTIONS

#### 1. Heating elements

Each heater contains two 900 W or 1500 W heating elements, connected in parallel and delivering a total heating power of 1800 W or 3000 W. If a heater fails to reach the required temperature after two or three minutes, it's possible that one of its two elements is faulty.





## Service Manual

To check the elements, proceed as follows:

With the power switch in the OFF position, use a tester to check the total resistance of the heater, which should be that indicated in the table according to the power, voltage and number for each installed heater elements, a higher value would indicate that one or more elements are faulty.

Disconnect them and check that the individual value of each element is as shown in the table according to the installed power and voltage.

**Table 2. Elements Values List**

(W)	(V)	x1 (Ω)	x2 (Ω)	x4 (Ω)	x6 (Ω)
900	400	177±2	88±2	44±2	29±2
1500	400	106±2	53±2	26±2	17±2

Under extreme environmental conditions, the heater might be affected and fail to reach the required temperature. In this case, put the unit in a more favorable place, or use an auxiliary heating system.

### 2. Static relay

If the above checks have not revealed any problems, check the static relay.

### 3. Automatic switch

The automatic switch protects the heating elements against voltage surges. With the power disconnected, open the control panel and make sure the switch is primed (see circuit diagram). If not, prime it.

### 4. Temperature sensor

Temperature sensor malfunctions are automatically displayed on the control panel. In the event of a malfunction, replace the sensor, being careful not to damage it during installation. The sensor should be in contact with the element.



## Hose heating

**WARNING!** Before attempting to fix any kind of malfunction, make sure that no buttons are lit on the electrical panel, that the power switch is in the OFF position and that the unit is disconnected from the power supply. Never open the electrical console when the unit is connected to the power supply. Hoses can reach high temperatures. Always wait until they have cooled down before handling them.

If a fault occurs in the heating system of the hoses, an alarm will be activated, and the number 9 will be shown on the control panel.

Follow the procedure below, in the sequence given, to rectify the problem and avoid expensive repairs. Check that all automatic switches are in the correct working position before proceeding to locate faults.

### PROBLEMS

- The hose is hot but fails to reach the selected temperature.
- The hose is not hot; the pushbutton led is lit.
- Only the sections of the hose closest to the unit are heated.
- The hose display shows the symbol (---).
- The automatic switch is triggered.

### SOLUTIONS

- 1-2-7
- 2-3-4-5
- 5
- 6
- 3

### SOLUTIONS

#### 1. Hose Length

The **easy spray-H** has been designed to work with a maximum hose length of 93 meters (310 ft). A longer length will render the heating capacity less effective. Under extreme ambient conditions, the hose heating system may be affected and fail to reach the required temperature.

#### 2. Hose Transformer

The transformer offers the option of connecting to a 40 V output voltage valid for the connection of hose sections with a total length of up to 45 meters (160 ft), or an output voltage of 75 V, for connecting hose lengths of over 45 meters (160 ft); connect to one or the other position depending on the total hose length installed in the machine. If the connection is performed incorrectly, the hoses will not reach the required temperature.

#### 3. Automatic Switch

This protects the secondary circuit of the transformer. The switch is located on the front of the transformer; make sure it is activated, otherwise activate it. Replace it with one of equal amperage if the switch fails to work correctly.

**PRECAUTION!** The replacement of the automatic switch with another of different characteristics may cause damage to the equipment and put the operator at risk.



## **Service Manual**

### **4. Triac**

This determines that the triac is faulty when all of the previous checks have been correct. Replace the triac if it fails to work correctly.

### **5. Hose Heating Components**

With the general switch turned off, make sure the hose connections and the electrical connections between the hoses and the unit are correct and tight. If the connections are correct and the hoses do not heat up, check section by section to locate the connection that is at fault.

Proceed as follows:

- a) Disconnect the unit from the power supply by deactivating the general switch and start to check the hose section closest to the gun. Remove the "Fast Lock" connector and make a "bridge" on the connection immediately before.
- b) Restore the power supply, press the POWER CONTROL key and the ISO and RESIN keys under the HOSES display. If the heating works, the problem will be in the last section of hose. Replace it. If not, do the following.
- c) Disconnect the unit from the power supply, remove the "Fast Lock" connector from the last section of hose and make a "bridge" on the connection immediately before.
- d) Restore the power supply, press the POWER CONTROL key and the ISO and RESIN keys under the HOSES display. If the heating works, the problem will be in the last but one section of hose. Replace it. If not, repeats steps c) and d) until you find the point of the fault.

### **6. TCS Temperature Control**

The control panel automatically detects any fault in the operation of the temperature sensor. To determine if the mistake is caused by the proper probe or by a defective electrical connection, realize the following cross-check: dismantling the electrical connector of the probe TCS of the last stretch of hose and without dismantling any other connection, connect it straight to the electrical capture of the exit of the machine, if the control is restored check the electrical connections of the probe existing TCS in the intermediate stretches of the hoses, in the opposite case replace the probe TCS.

### **7. Hose Heating Temperature Adjustment**

The hose heating system maintains the temperature of the products exiting the heaters, which is why the value set for the temperature of the hoses must be the same as that selected on the heater display.



## Proportioning pumps

**WARNING!** Before attempting to fix any kind of malfunction, make sure the power switch is in the OFF position and that the unit is disconnected from the power supply. Never open the electrical console when the unit is connected to the power supply. Proportioning pumps work under pressure. Do not release any connection or perform repair or maintenance work on components subjected to pressure until all pressures have been eliminated.

### PROBLEMS

### SOLUTIONS

The pumps lose pressure when the unit is stopped.	1
The pressure readings in the proportioning pumps are different.	1-2-3
There is cavitation in the proportioning pump.	1-2-3
The proportioning pumps do not reverse direction.	4
The proportioning pumps do not move.	4
The movement of the proportioning pumps is erratic.	4-5

### SOLUTIONS

#### 1. Pressure loss in ball valves

Observe the pressure gauges to identify which pump is losing pressure. To determine which ball valve is faulty, check in which direction of movement the pump loses pressure. If pressure is lost in the upward stroke, check the discharge (upper) ball valve. If pressure is lost on the downward stroke, check the intake (lower) ball valve.

Proceed as follows to check the ball valves:

- Disconnect the unit from the power supply and shut the stop valves controlling product intake.
- Depressurize the proportioning pump and dismount the faulty ball valve.
- Pressure loss in ball valves is usually caused by foreign particles which prevent the ball from coupling perfectly with the seat in the upper part of the closing bushing. Clean the ball and the surface of the bushing seat and check there are no nicks, marks or scratches on the bushing or the ball. If cleaning does not resolve the problem, or if any defects are detected, replace the bushing and the ball.

#### 2. Pressure reading imbalances

Pressure reading imbalances occur when an obstruction in the hose or gun prevents one of the spray components from exiting the nozzle during spraying, or when a problem in the pumping system prevents one of the components from reaching the gun in the required quantities.

Identifying which component is causing the imbalance is relatively easy, as the component chemical products used in the polyurethane foam spray system are of different colours. By observing the colour of the component coming out of the gun you can determine which component is missing.



## Service Manual

To ascertain whether the pressure imbalance is caused by an obstruction or by a problem in the pumping system, operate the spray gun and check the reading on the pressure gauge of the missing component. Compare this reading with the pressure indicated on the other component's pressure gauge: if the pressure of the missing component is higher, the pressure imbalance is caused by an obstruction; if it is lower, the imbalance is due to a problem in the pumping system.

### 3. Cavitation

Cavitation occurs when the proportioning pump requires a greater volume of material than the feed system is supplying, giving rise to the formation of voids in the proportioning pump. There are three possible causes of cavitation:

- a) High viscosity. Polyurethane foam spray systems normally require a minimum transfer temperature of 12°C: at lower temperatures, the viscosity of the component products increases, and it is more difficult to pump them. When ambient conditions do not allow the component products to be kept at the minimum temperature of 12°C, auxiliary heating equipment must be used to keep the component products at the minimum required transfer temperature.
- b) The product intake filter is clogged (see Maintenance).
- c) The intake ball valve is leaking as a result of wear or defects in the ball or the closing surface of the bushing, which causes some of the material to return to the tank. Therefore, the volume of material delivered by the proportioning pump in the discharge cycle is lower than required, giving rise to an incorrect product ratio.

### 4. Fault in the direction change sensor

The metering pump system has a plate that activates the reversing switches to carry out the change of direction. The most common cause of the fault is the entry of a foreign body preventing the plate from making contact with the micros.

A fault in the movement of the directional valve will cause the activation plate to pass the micro and not make the change of direction. Proceed as follows to solve this problem:

- a. Determine the direction in which the plate must move; this depends on which micro has been passed.
- b. Locate the slide for the manual override of the directional valve located on the front of the hydraulic cylinder. Act on the side to which you want the activation plate to move.
- c. Turn the general switch ON, press the CONTROL POWER key and the MOTOR key. With the manual valves of the coupling block open, point the gun at a waste container.
- d. Press the manual slide of the directional valve and hold it until the activation plate is centered between the two run end micros.
- e. If when pressing the slide, it moves freely, the excess run is due to an electrical problem. Press the MOTOR key and the NORMAL key; press the run end micros and check whether the reels are changed, and the direction indicator lights: if the reels are not changed or the direction indicator lights fail to come on, there is an electrical problem in the run end micro or in the reels of the directional valve.

### 5. Tank empty

As there is no way of visually checking the level of product in the tanks during the normal operation of the unit, there is a risk that air will enter the circuit if the level in one tank is too low. This will cause the pumping system to malfunction.

If this problem occurs, purge the air from the circuit as described in the corresponding section on **p.28** (hoses with recirculation) or **p.26** (heated hoses with transformer).



## Hydraulic drive

**WARNING!** Before attempting to fix any kind of malfunction, make sure that no lights are lit on the control panel, the power switch is set to the OFF position, and the unit is disconnected from the power supply. Never open the electrical console when the unit is connected to the power supply. The hydraulic motor operates under pressure. Do not release any connection or perform repair or maintenance work on components subjected to pressure until all pressures have been eliminated.

Follow the procedure below, in the sequence given, to rectify the problem and avoid expensive repairs. Check that all automatic switches are in the correct working position before proceeding to locate faults.

### PROBLEMS

### SOLUTIONS

The electric motor does not start or stops during operation.	1
The hydraulic pump delivers no pressure.	2
Little or no pressure, with chirps.	2-3

### SOLUTIONS

#### 1. Automatic switch

The electric motor is protected by an automatic safety switch which trips when too much current is delivered to the motor. Disconnect the unit from the power supply and allow the motor to cool down. Open the control panel and re-prime the automatic switch. The motor should now work normally. If too much current is being delivered to the motor it is important to identify why this is happening, for in the event of failure by the automatic switch the electric motor may be damaged by overheating.

#### 2. Little or no pressure

The most likely cause of lack of pressure is that the hydraulic pump is not delivering enough pressure due to mis-priming, caused by a lack of oil or a clogged intake filter. Check these points to ensure correct operation.

#### 3. Noise

A chirping noise is a common symptom of cavitation. This noise is normal upon power-up and normally disappears after about thirty seconds.

If the chirping continues, stop the unit to protect the hydraulic pump and check that the hose couplings are properly tightened and that the pump is correctly primed. Remove the pump drain coupler and fill the pump if necessary.

Another cause of pump noise is excessive temperature of the hydraulic oil. Make sure the oil is being delivered in the correct quantity, and if necessary, improve ventilation to allow greater dissipation of heat from the hydraulic tank.

## MAINTENANCE

To obtain optimum performance from the **easy spray-H** unit you must perform certain maintenance operations on a daily or regular basis.



**To avoid bodily damage caused by the incorrect handling of the substances and solvents used with this unit, read carefully the safety information provided by their suppliers.**

**Dispose of waste as required by applicable legislation.**



**Disconnect the unit from the power supply before opening the electrical console.**

**Electrical maintenance should only be carried out by a qualified electrician.**



**To avoid exposure to pressurized fluids, do not release any connectors or perform maintenance work on parts subjected to pressure until the pressure has been eliminated.**

**Use suitable protection when using or performing maintenance on the unit, or when in its vicinity. This protection includes, but is not limited to, the use of masks, protective goggles, gloves, safety footwear and safety clothing.**



**This unit includes parts which reach temperatures likely to cause burns. Do not touch or handle the hot parts of the unit until they have cooled down.**



**To avoid the risk of crushing or amputation, only use this unit when its moving parts are fitted with correctly installed safety guards. Make sure all safety guards are correctly mounted after completing repair or maintenance work.**



## Heaters

**WARNING!** Before proceeding to any kind of maintenance work, make sure the power switch is in the OFF position and that the unit is disconnected from the power supply. Never open the electrical console when the unit is connected to the power supply. Heaters can reach high temperatures. Always wait until they have cooled down before handling them.

### 1. Heating elements

To replace a defective heating element, proceed as follows:

- a) Depressurize the unit, disconnect it from the power supply and remove the heater cap.
- b) Disconnect the element from the terminal block using the appropriate tool, loosen the element and remove it from its housing. The element should be smooth and shiny in appearance. If it is blackened or shows accretions of material, replace it.
- c) Check the new element with a tester: the resistance reading should be as shown in **Table 2** on pag. **41**.
- d) Apply PTFE or thread-locking compound and screw the element into place in its housing.
- e) Re-connect the cables in the terminal block, make sure the connection is parallel and replace the heater cap.

**NOTE:** If the element to be replaced is the element in contact with the temperature sensor, first remove the sensor.

### 2. Temperature sensor

The temperature sensor is secured to the hose coupling with a ferrule and a torque nut. Once inserted in its housing, the ferrule forms part of the sensor and may not be moved out of position. Check that the sensor has been correctly inserted before securing it in place with the torque nut.

- a) Depressurize the unit and disconnect it from the power supply. Check that the body of the coupler inserted in the heater is correctly tightened to prevent leaks.
- b) Fit the heating element.
- c) Fit the torque nut and ferrule to the sensor and insert the sensor into the body of the connector until it touches the heating element. Make sure the spring inside the heater is not impeding contact between the sensor and the element.
- d) Secure the sensor and tighten the locking nut.





## Proportioning pumps

**WARNING!** Before proceeding with maintenance works, make sure that all push buttons are switched off, the general switch is in the off position, and the Unit is unplugged from the power supply. Never handle the control panel interior while the Unit is plugged into the electricity grid. Dosing pumps are components that work under pressure, do not open any connections or perform any repair or maintenance work on components submitted to pressure until all pressures have been completely released.

When the pump works properly, it is not uncommon for a small amount of resin to filter through the joints and reach the visible part of the pump axis. Periodically inspect the axis and clean the residue when dosing pumps are stationary and the machine is switched off.

Disassemble and clean the dosing pumps annually, despite no obvious signs of leaks. Use this time to completely replace the joints and bearings given that, if you reassemble an element that does not seem damaged, it can cause premature wear in the remaining components (the NR-00045-ENG Parts Manual includes the joint kits that correspond to each pump model and size). Pump distribution bases must also be inspected, checking that the ball valves show no signs of wear, dents or marks that affect the pump's proper operation.

Perform a daily inspection of the Isocyanate pump lubrication bowl and check the condition of the DOTP plasticiser oil it contains. Replace the oil when you observe colour changes or when it shows signs of solidification. If this circumstance persists, replace the isocyanate pump joints using the corresponding kit.

In cases where the machine is submitted to large workloads or special work conditions, disassemble, clean, and replace the dosing pump joints every six months.

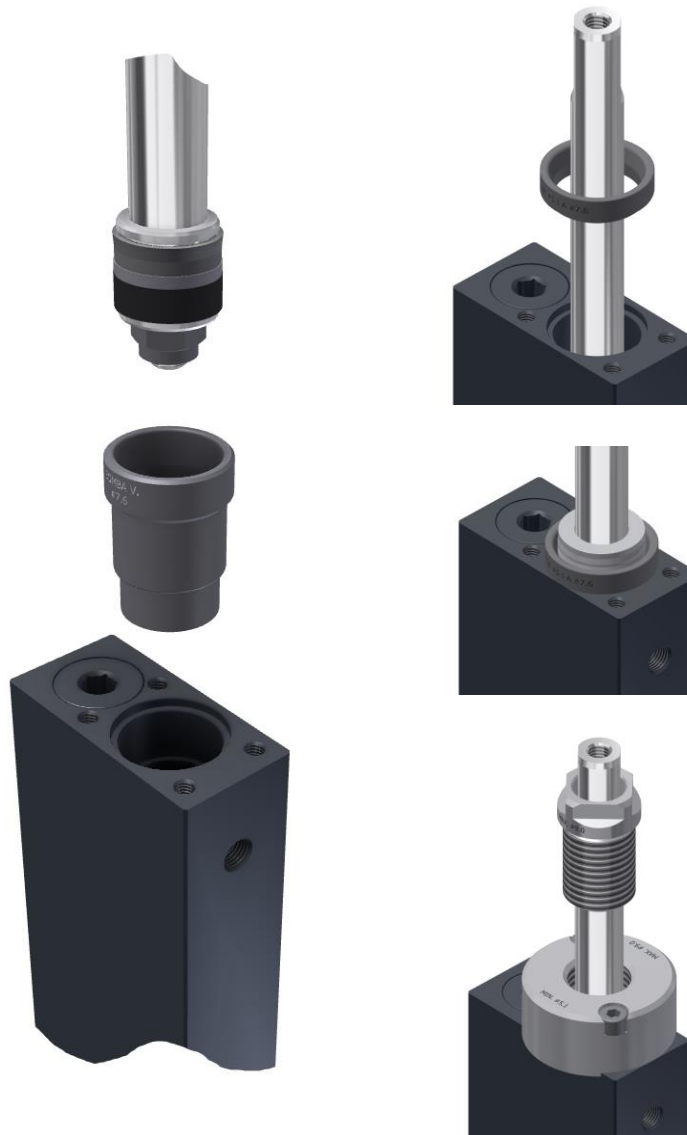
Inspect rods, pistons and inside the sleeves for marks or scratches that may cause leaks or premature damage to the joints.

Only qualified personnel will be authorised to replace dosing pump joints, since they have the required expertise to that effect.

To assemble the pump, there are specific tools that prevent damage to the seal lips of both the piston and the cylinder head.

First, assemble the rod set with the piston and all its components. Ensure that the piston seal lips are facing upwards.

Insert the assembled piston set inside the sleeve with the specific tool (1) (see **Table 3** on page.51)



Once you have inserted the piston into the sleeve, you must assemble the cylinder head seal. First place the seal funnel tool (2).





Next, place the cylinder head seal with the lips facing downwards.

Subsequently, you must place and fasten the tool (3) to the sleeve and insert the plunger (4) inside the rod. Screw as far as it will go.

Remove all the tools and finish the pump assembly by placing the guide with its joint, and fastening the piston and the nut with the bowl.



**Table 3. List of Tools**

	Tool (1)	Tool (2)	Tool (3)	Tool (4)
SIZE				
#4.5	HT-00034	HT-00116	HT-00119	HT-00121
#7.6	HT-00031	HT-00117	HT-00120	HT-00122

**Note:** These tools are not supplied with the machine, they are optional upon request.



### **Product intake filters**

Filter bodies are fitted with an inner mesh which prevents solid particles from entering the unit and potentially interfering with the operation of the ball valves when the product is taken into the unit. Filters should be inspected and cleaned daily as part of the power-up routine. Replace the inner mesh if necessary.

Isocyanate is a product which crystallizes under the action of ambient humidity or freezing. To minimize the risk of contaminating the isocyanate filter, make sure the product is properly stored and decanted and the operating procedures are followed.

***NOTE: The isocyanate intake filter should be cleaned every day before starting the unit. Do not clean the filter after stopping the unit. To reduce the risk of absorption of humidity and the possibility of contamination by reaction with the cleaning solvent, begin spraying immediately after cleaning the filter.***

To check the product intake filters, proceed as follows:

- a) Disconnect the unit from the power supply and close the tap valve regulating the intake of the product into the filter to be checked.
- b) Place a suitable recipient underneath the filter to collect the product that comes out. Carefully loosen the filter cap to allow the product to drain into the recipient. Unscrew the cap completely.
- c) Remove the gasket, the spring and the mesh and clean all components with the solvent used for cleaning the gun. Dry the components and check there are no obstructions in the mesh. All mesh orifices should be completely clear. Replace the mesh if over 10% of its surface area is clogged.
- d) Put the mesh, the spring, and the gasket back in place. Screw the cap in place.
- e) Open the valve tap regulating the intake of product into the filter, check there are no leaks and proceed with normal operations.



### *Isocyanate pump lubrication system*

Inspect the isocyanate pump lube reservoir every day and check the condition of the DOTP plasticizer oil it contains. Replace the oil if it is discoloured or exhibits signs of solidification.

DOTP oil solidifies as a consequence of moisture absorption. The frequency of oil changes depends on the working conditions.

Discolouration of the oil is due to the thin film of isocyanate which is deposited on the pump piston when the pump is operating. The plasticizing oil needs to be changed less frequently if the seal rings and gaskets are in good condition.

To replace the plasticizing oil in the pump, proceed as follows:

- a) Operate the spray gun until the isocyanate proportioning pump is at the highest point on its upward stroke. Rotate the power switch to the OFF position.
- b) Disconnect the unit from the power supply.
- c) Remove the protective panels from the pump guides.
- d) Remove the DOTP oil contained in the chamber, then clean the chamber and the pump piston to eliminate any residue of contaminated oil or crystallized accumulations. Use a wooden or plastic implement to clean the piston. Fill the chamber with new DOTP plasticizing oil.



## Hydraulic drive

**WARNING!** Before proceeding to any kind of maintenance work, make sure all lights on the control panel are off, the power switch is in the OFF position, and the unit is disconnected from the power supply. Never open the electrical console when the unit is connected to the power supply. The hydraulic motor operates under pressure. Do not release any connection or perform repair or maintenance work on components subjected to pressure until all pressures have been eliminated.

The hydraulic motor should be serviced every year. To do this, proceed as follows:

- a) Depressurize the unit and disconnect it from the power supply. Clean the cap of the hydraulic tank to prevent extraneous matter from falling into the tank during removal of the hydraulic components.
- b) Dismount and replace the tank's return filter.
- c) Inspect the bottom of the tank through the filter housing to check for the presence of sediment. If sediment is present, empty the tank completely through the purge hole located on its side.

**WARNING!** Do not mislay the purge hole cap or gasket! Without either of these components you will be unable to refill the tank.

Clean the interior of the pump intake and drain tubes located inside the tank.

Clean the bottom of the tank, eliminating all sediment.

- d) Place the return filter in its operating position.
- e) If the tank has been emptied, or if it needs more oil, fill it up as required.

**WARNING!** Bear in mind the recommendations on oil (see p.22).

- f) Check that the hydraulic pump is full of oil and make sure coupler connections are tight enough for normal operation.



## CONTENTS

<b>Warranty</b>	<b>2</b>
<b>Safety and handling</b>	<b>3</b>
<b>Characteristics</b>	<b>6</b>
Principal heating system	6
Hose heating system	6
Proportioning pumps	6
<b>Technical specifications</b>	<b>7</b>
Electrical	7
Mechanical	7
Acoustic	7
<b>oVERNIEW</b>	<b>9</b>
<b>Control panel</b>	<b>13</b>
<b>Alarms</b>	<b>18</b>
<b>Method of threaded union of the hoses</b>	<b>20</b>
<b>Preparing the unit for operation</b>	<b>21</b>
Preparation (units with heated hose & transformer)	24
Purge method (units with heated hose & transformer)	26
Preparation (only for units with tanks & recirculation hose)	27
Purge method (only for units with tanks & recirculation hose)	28
<b>Power-up procedure (Integrated transformer)</b>	<b>30</b>
<b>Power-up procedure (Hoses with recirculation)</b>	<b>31</b>
<b>Power-down</b>	<b>33</b>
<b>Cleaning procedure (Heated hoses with transformer)</b>	<b>34</b>
<b>Cleaning procedure (Recirculation hoses tanks)</b>	<b>35</b>
<b>Temporary Layoff of the unit (Heated hoses with transformer)</b>	<b>37</b>
<b>Temporary Layoff of the unit (Recirculation hoses tanks)</b>	<b>38</b>
<b>Malfunction</b>	<b>39</b>
Heaters	40
Hose heating	42
Proportioning pumps	44
Hydraulic drive	46
<b>Maintenance</b>	<b>47</b>
Heaters	48



Proportioning pumps _____	49
Product intake filters _____	52
Isocyanate pump lubrication system _____	53
Hydraulic drive _____	54
<b>Contents _____</b>	<b>55</b>
<b>List of illustrations _____</b>	<b>56</b>
<b>List of Tables _____</b>	<b>56</b>

## LIST OF ILLUSTRATIONS

Figure 1. General view _____	9
Figure 2. Control panel _____	13
Figure 3. Hose coupling method _____	23

## LIST OF TABLES

Table 1. Tightening Threaded Joints _____	20
Table 2. Elements Values List _____	41
Table 3. List of Tools _____	51